

580-658

4

3

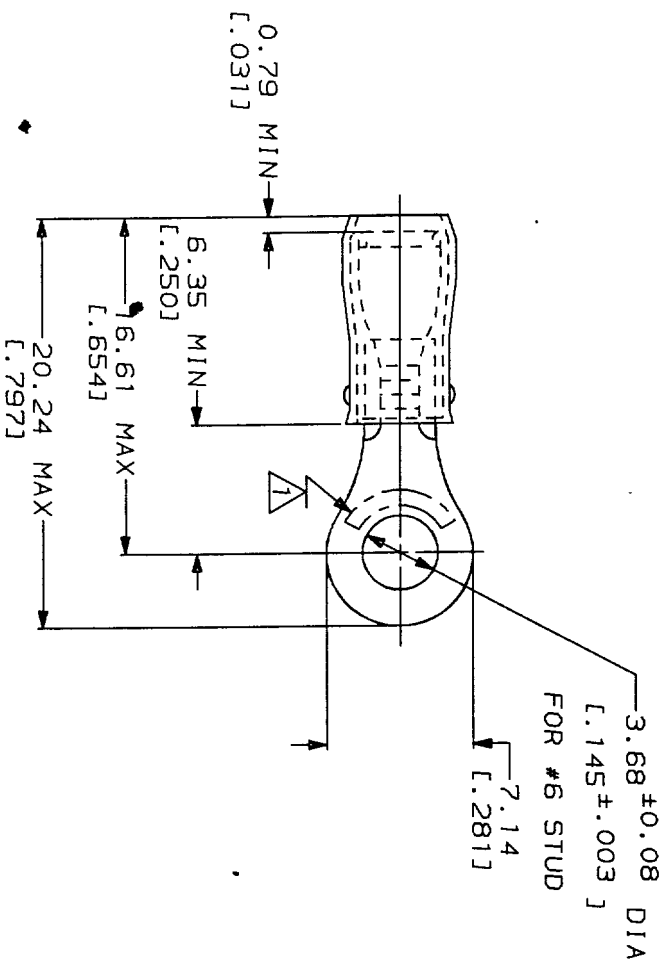
2

1

DRAWING MADE IN THIRD ANGLE PROJECTION  
 THIS DRAWING IS UNPUBLISHED. RELEASED FOR PUBLICATION  
 BY AMP INCORPORATED ALL INTERNATIONAL RIGHTS RESERVED  
 © COPYRIGHT 19

LOC	DIST	P	F	ZONE	LTR	DESCRIPTION	DATE	APPD
G	14			M		REV / 01.20-0025-97	28JAN97	TM

<b>AMP</b> WIRE RANGE	<b>UL</b> Listed	<b>SR</b> LR7189 Certified
22-16 AWG SOLID OR STRANDED	22-16 AWG SOLID OR STRANDED	22-16 AWG SOLID OR STRANDED



1 STAMP AMP 22-18\* APPROX AS SHOWN  
 22-16 TERMINALS ARE STAMPED 22-18 IN  
 ACCORDANCE WITH MILITARY SPEC MIL-T-7928  
 COMMERCIAL WIRE RANGE IS 22-16

2 WIRE INSULATION DIA: .080 - .125  
 3 TONGUE MATERIAL THK: 0.79 ± 0.05 [0.031 ± 0.003]

**AMP INCORPORATED  
 CUSTOMER SERVICE SYSTEMS**

FOR ADDITIONAL PRODUCT INFORMATION OR COPIES OF DRAWINGS AND TECHNICAL DOCUMENTS	1-800-522-8752	PRODUCT INFORMATION CENTER
FOR APPLICATION TOOLING INFORMATION	1-800-722-1111	TOOLING ASSISTANCE CENTER
FOR ORDER ENTRY	1-800-526-5142	

MILITARY P/N AND CLASS	QUANTITY	PACKAGE TYPE	PART NO
100	100	LOOSE PIECE BOX	8-36151-1
5000	5000	ON TAPE, REEL	2-36151-2
-	-	LOOSE PIECE	36151

DO NOT SCALE PRINT.  
 DIMENSIONS IN IN (INCHES)  
 TOLERANCES ON:  
 2 PLG DEC ± 0.20 (0.08)  
 3 PLG DEC ± .  
 ANGLES ° -  
 MATERIAL  
 COPPER ASTM B-152  
 SLEEVE, RED NYLON

OR 02/11/93  
 DR DK SORHM  
 CRK 4/28/93  
 APRD RE JERRY  
 APRD M. ELLIS  
 APRD H. BARRERA  
 PRODUCT SPEC  
 UL 486A

NAME **AMP** AMP Incorporated  
 Harrisburg, PA 17105-3608  
 TERMINAL, RING TONGUE,  
 P1D6™, WIRE SIZE, 22-16 AWG  
 SIZE **B** CABE CODE 00779 DRAWING NO C=36151  
 SCALE 4:1 SHEET 1 OF 1

AMP 1490-15 REV 3-92 09:43:30 AMP10398 <UJ128A>DEPT1132>U.DWG1132>U.ABY>U.P1D6>U.CU5T  
 28 JAN 1997

CUSTOMER DRAWING