

**PLEASE CHECK WWW.MOLEX.COM FOR LATEST PART INFORMATION**

**Part Number:** **0359650210**  
**Status:** **Active**  
**Description:** 1.78mm Tab Multiple Wire-to-Wire Female Housing, 2 Circuits, Vertical, Type B

**Documents:**

<a href="#">3D Model</a>	<a href="#">Product Specification PS-35180-002 (PDF)</a>
<a href="#">Drawing (PDF)</a>	<a href="#">Product Specification PS-35180-003 (PDF)</a>
<a href="#">Product Specification 351800400-001 (PDF)</a>	<a href="#">Packaging Specification PK-35965-001-001 (PDF)</a>
<a href="#">Product Specification 351800600-001 (PDF)</a>	<a href="#">RoHS Certificate of Compliance (PDF)</a>

**Agency Certification**

CSA	LR19980
UL	E29179

**General**

Product Family	Crimp Housings
Series	35965
Application	Power, Wire-to-Wire
Product Name	N/A
UPC	800753131828

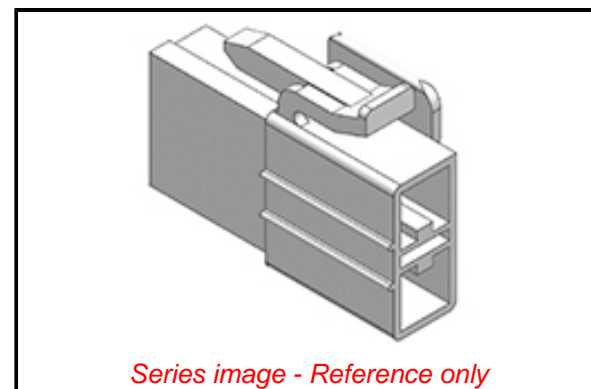
**Physical**

Circuits (maximum)	2
Flammability	94V-0
Gender	Receptacle
Glow-Wire Compliant	No
Net Weight	2.087/g
Number of Rows	2
Packaging Type	Bag
Panel Mount	No
Pitch - Mating Interface	8.00mm
Stackable	No
Temperature Range - Operating	-40°C to +120°C

**Material Info**

**Reference - Drawing Numbers**

Packaging Specification	PK-35965-001-001
Product Specification	351800400-001, 351800600-001, PS-35180-002, PS-35180-003
Sales Drawing	SD-35965-021*



*Series image - Reference only*

**EU ELV**

**Not Relevant**

**EU RoHS**

**Compliant**

**REACH SVHC**

Not Contained Per - ED/30/2017 (7 July 2017)

**Halogen-Free**

**Status**

**Not Low-Halogen**

**Need more information on product environmental compliance?**

Email [productcompliance@molex.com](mailto:productcompliance@molex.com)  
Please visit the [Contact Us](#) section for any non-product compliance questions.

China ROHS

ELV

RoHS Phthalates

Green Image

Not Relevant

Not Contained

**Search Parts in this Series**

[35965](#) Series

**Mates With**

35180

**Use With**

35746