

Part Number: 3570 3572 3563 DIP Series
ATE Grade Dry Reed Relays
Product Data Sheet

PICTURE

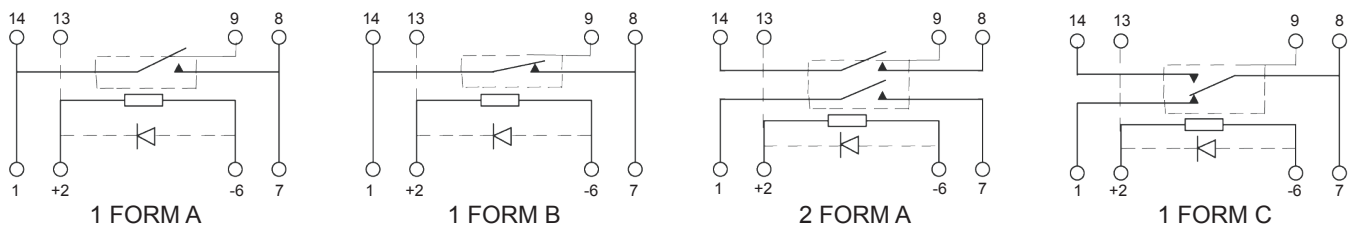


FEATURES

- Epoxy molded, 14pin dual-in-line packages.
- Can be immersed during board cleaning operations.
- High isolation between input and output.
- High speed and low driving power.
- Diode and external magnetic shield available.
- ATE Grade, includes Coto® reed switch with sputtered Ruthenium contacts.
- Internal shield available upon request.

✓RoHS Compliant

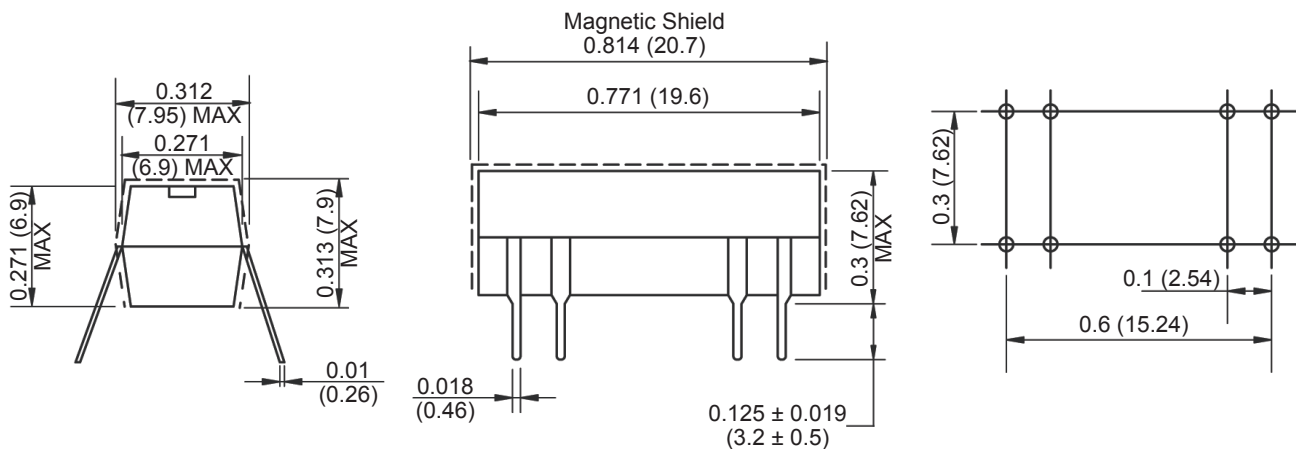
CIRCUIT DIAGRAM



ORDERING INFORMATION

3570.1210. (Form A)	05	1 = without diode
3572.1220. (Form A)	12	2 = electrostatic external shield (pin 9)
3570.7262. (Form B)	24	3 = with diode (pin 2/13-6, pin 2 = +)
3563.1231. (Form C)		4 = electrostatic external shield + diode

DIMENSIONS



Drawings not to scale.
 All dimensions in inches (mm) nominal.

As part of the company policy of continued product improvement, specifications may change without notice. Our sales office will be pleased to help you with the latest information on this product range and the details of our full design and manufacturing service. All products are supplied to our standard conditions of sale unless otherwise agreed in writing.

Phone: (1) 973 777 6900

www.comus-intl.com

Fax: (1) 973 777 8405

Part Number: 3570 3572 3563 DIP Series
ATE Grade Dry Reed Relays
Product Data Sheet

COIL DATA-STANDARD TYPE 1 FORM A (at 20°C)

NOMINAL VOLTAGE DC±10%[V]	COIL RESISTANCE ±10% (ohm)	NOMINAL INPUT POWER	MAX OPERATE VOLTAGE (VDC)	MIN RELEASE VOLTAGE (VDC)	MAX ALLOWABLE VOLTAGE (VDC)
5	500	50 mW	3.75	0.6	10
12	1000	144 mW	9	1	20
24	2150	268 mW	18	2	32

COIL DATA-STANDARD TYPE 2 FORM A (at 20°C)

NOMINAL VOLTAGE DC±10%[V]	COIL RESISTANCE ±10% (ohm)	NOMINAL INPUT POWER	MAX OPERATE VOLTAGE (VDC)	MIN RELEASE VOLTAGE (VDC)	MAX ALLOWABLE VOLTAGE (VDC)
5	140	179 mW	3.75	0.6	10
12	500	288 mW	9	1	20
24	2150	268 mW	18	2	32

COIL DATA-STANDARD TYPE 1 FORM B (at 20°C)

NOMINAL VOLTAGE DC±10%[V]	COIL RESISTANCE ±10% (ohm)	NOMINAL INPUT POWER	MAX OPERATE VOLTAGE (VDC)	MIN RELEASE VOLTAGE (VDC)	MAX ALLOWABLE VOLTAGE (VDC)
5	500	50 mW	3.75	0.6	6
12	1000	144 mW	9	1	14.5
24	2150	268 mW	18	2	29

COIL DATA-STANDARD TYPE 1 FORM C (at 20°C)

NOMINAL VOLTAGE DC±10%[V]	COIL RESISTANCE ±10% (ohm)	NOMINAL INPUT POWER	MAX OPERATE VOLTAGE (VDC)	MIN RELEASE VOLTAGE (VDC)	MAX ALLOWABLE VOLTAGE (VDC)
5	200	50 mW	3.75	0.6	10
12	500	144 mW	9	1	20
24	2150	268 mW	18	2	32

CONTACT RATING

Contact Form	1 / 2 Form A	1 Form B	1 Form C
Max Switching Power	10 W		5 W
Max Switching Voltage	200 VDC or 140 VAC		175 VDC or 125 VAC
Max Switching Current	0.5 A		0.4 A
Max Carry Current	1.75 A		0.5 A

SPECIFICATION

Contact Resistance	Max 100m ohm	Max 115m ohm	Max 140m ohm
Operate Time (Incl. bounce)	0.5 ms		1.5 ms
Release Time	0.5 ms		2.0 ms
Insulation Resistance	1G ohm Min (100 VDC)		1G ohm Min (100 VDC)
Dielectric Strength	Between Open Contacts 200 VDC / peak AC Between Coil to Contacts 1500 VDC / peak AC		
Capacitance (Between open contacts)	0.5 pF		0.8 pF
Vibration	20G (10~2KHz, 1.5mm)		20G (10~2KHz, 1.5mm)
Shock Resistance	30G (11ms, 1/2sin Wave)		30G (11ms, 1/2sin Wave)
Operating Temperature	-20° +85°C		-20° +85°C
Life Expectancy of Electrical	1x10 ⁸ ops (1 VDC, 10mA)		1x10 ⁸ ops (1 VDC, 10mA)

As part of the company policy of continued product improvement, specifications may change without notice. Our sales office will be pleased to help you with the latest information on this product range and the details of our full design and manufacturing service. All products are supplied to our standard conditions of sale unless otherwise agreed in writing.

Phone: (1) 973 777 6900
www.comus-intl.com
Fax: (1) 973 777 8405