

## LIGHTED APPLIANCE ROCKERS



Fig. 1



Fig. 2



Fig. 3



Fig. 4



Fig. 5

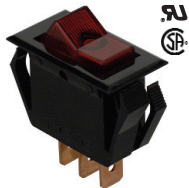


Fig. 6

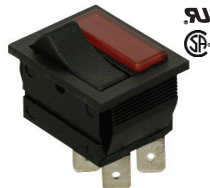


Fig. 7



Fig. 8



Fig. 9

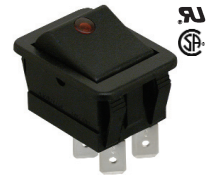


Fig. 10

### On-Off Circuit Function

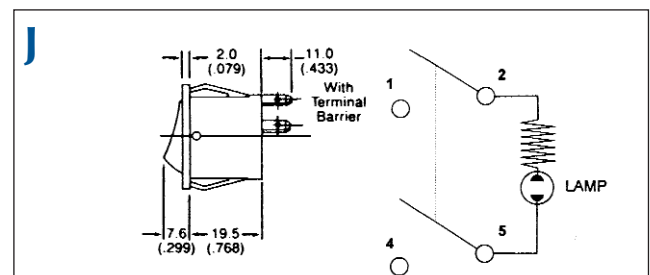
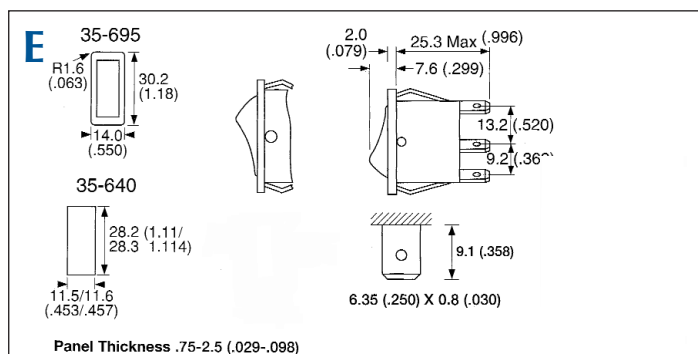
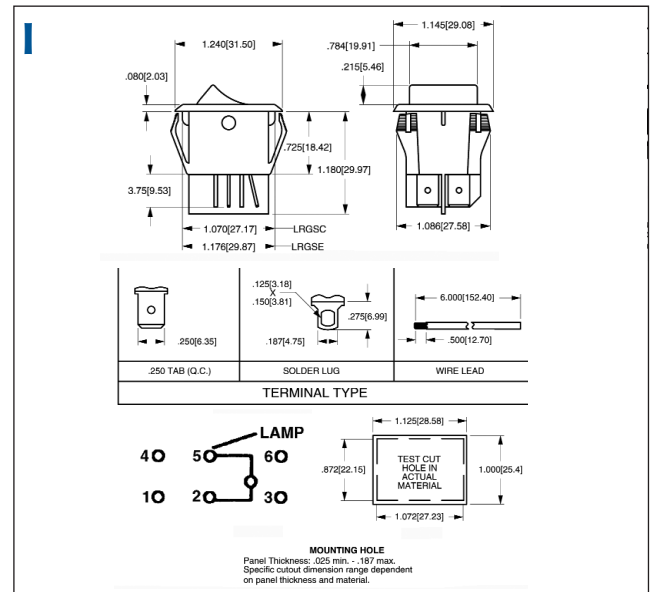
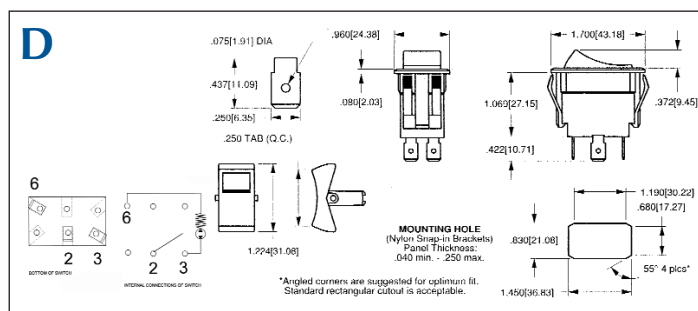
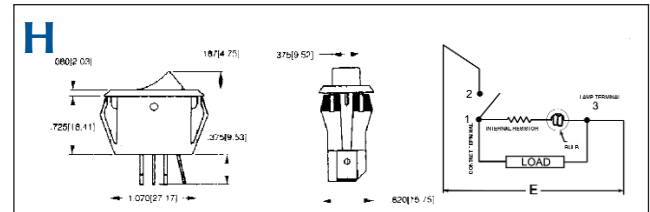
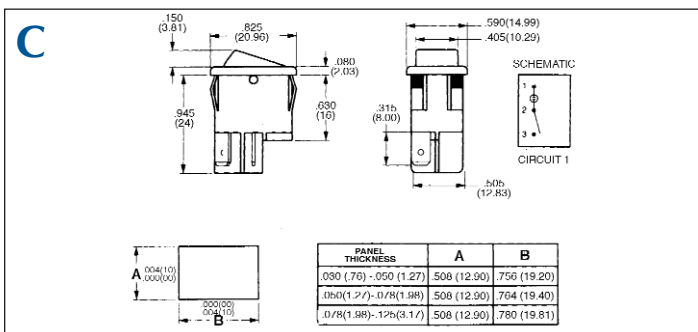
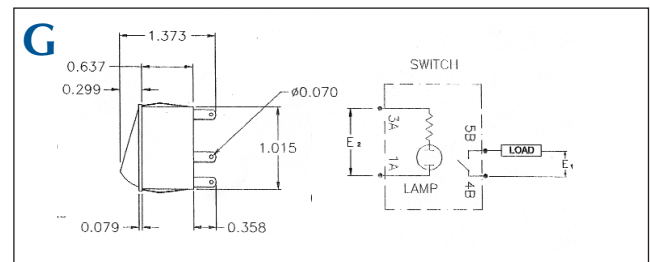
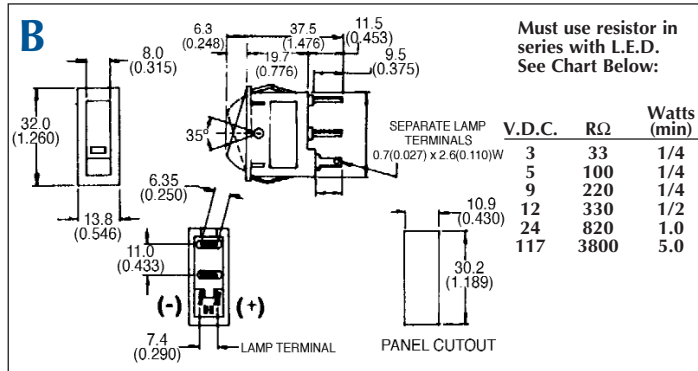
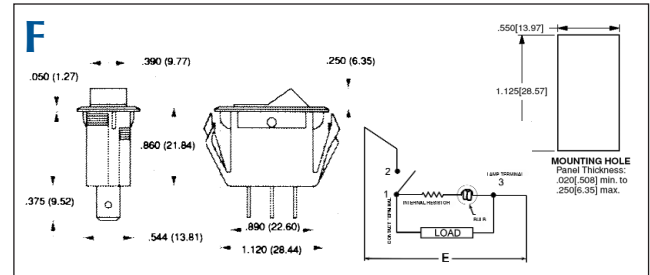
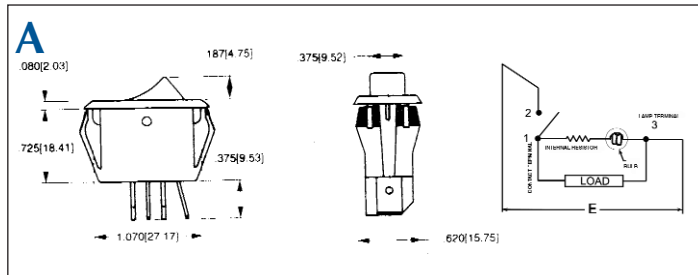
Retail Part No.	Bulk Part No.	Fig. No.	Poles/Throws	Amps 125 VAC	Amps 250 VAC	HP 125 VAC	HP 250 VAC	HP 125-250 VAC	Actuator Color	Actuator Material	Lamp Voltage	Mounting Hole	Spec. Drawing Page/Part No.
35-660	35-660-BU	1	SPST	**	N/R				Lighted Red		12V Incdt	0.550 x 1.125	285-A
35-684	35-684-BU	2	SPST	10	N/R	N/R	N/R	N/R	White w/ Red LED	Plastic	***	0.430 x 1.189	285-B
35-696	35-696-BU	3	SPST	12	8			1/2	Lighted Red	Nylon	125V Ne	0.508 x 0.756	285-C
35-656	35-656-BU	4	SPST	15	10			1/2	Black w/Lighted Amber	Nylon	125V Ne	1.450 x 0.830	285-D
35-662	35-662-BU	5	SPST	15	15	1/2	1		Lighted Amber	Nylon	12V Incdt	0.453 x 1.110	285-E
35-664	35-664-BU	5	SPST	15	15	1/2	1		Lighted Green	Nylon	12V Incdt	0.453 x 1.110	285-E
35-688	35-688-BU	5	SPST	15	15	1/2	1		Lighted Red	Nylon	125V Ne	0.453 x 1.110	285-E
35-689	35-689-BU	6	SPST	15*	10			3/4	Lighted Red	Nylon	125V Ne	0.550 x 1.125	285-F
35-3790	35-3790-BU	6	SPST	15	10			3/4	Lighted Amber	Nylon	125V Ne	0.550 x 1.125	285-F
35-621	35-621-BU	7	SPST	16	16				Black w/Red Lens	Plastic	125V Ne	0.870 x 1.070	285-G
35-3730	35-3730-BU	8	SPST	16	10				Lighted Amber		125V Ne	0.550 x 1.125	285-H
35-3740	35-3740-BU	8	SPST	16	10				Lighted Red		125V Ne	0.550 x 1.125	285-H
35-655	35-655-BU	9	DPST	20	15	N/R	N/R		Lighted Red	Plastic	125V Ne	1.000 x 1.125	285-I
35-686	35-686-BU	10	DPST	20	20	1/2	1		Black w/Red Indicator	Plastic	125V Ne	1.180 x 0.870	285-J
35-3755	35-3755-BU	8	SPST	15					Red w/ White Dot		110V Ne		

Notes: \*Built-in Resistor  
 \*\*Rated 10 Amps @ 30VDC  
 \*\*\*Requires external resistor and diode for AC applications (not included)  
 Incdt=Incandescent  
 Ne=Neon  
 N/R=Not Rated  
 QC=Quick Connect

The Terminal Types for the above parts are QC .250" except for 35-684 is Solder and 35-696 is QC .187".

Note: All figures are for illustration purpose only, and the number/type of terminals may vary.

## LIGHTED APPLIANCE ROCKERS (Cont.)



Switches