

Features

Three input voltage ranges provide the versatility needed to handle global applications.

Four adjustment pots provide flexibility for numerous applications.

Diagnostic LEDs indicate trip status and make troubleshooting a snap.

Microcontroller-based circuitry provides better accuracy and higher reliability than analog designs.

Transient protection meets IEEE 587 standards and allows operation under tough conditions.

Single-phase conditions are detected regardless of regenerated voltage.



Motorsaver
THREE-PHASE ELECTRIC
MOTOR PROTECTOR

Model 355 Three-Phase Voltage Monitor

Engineered
Protection

Microcontroller
Based

Protects 3-Phase Motors from:

- Loss of any phase (single-phasing)
- Low voltage
- High voltage
- Voltage unbalance
- Phase reversal

Additional Features:

- Standard surface mount
- Opt. DIN rail mount
- Standard manual, 2-300 sec. adj. restart delay
- Standard 2-8% adj. voltage unbalance trip point
- Standard 2-30 sec. adj. trip delay
- Optional high current SPDT 15A contact
- UL and cUL listed
- 5-year warranty
- Made in USA

The Model 355 3-phase voltage monitor is perfect for heavy-duty applications that need both protection and diagnostics while the motor is shut down. Applications include rural pump panels, commercial HVAC equipment, oil rigs, and rural HVAC equipment. The Model 355 is a versatile voltage monitor designed for 200, 400, or 600V applications. The Model 355-200 will monitor 190 to 240V input voltages, the Model 355-400 monitors 380 to 480V input voltages, and the Model 355-600 monitors 575 to 600V input voltages.

A unique microcontroller-based voltage and phase-sensing circuit constantly monitors the 3-phase voltages to detect harmful power line conditions such as single-phasing, low voltage, high voltage, phase reversal, and voltage unbalance. When a harmful condition is detected, the MotorSaver's output relay is deactivated after a specified trip delay. The output relay reactivates after power line conditions return to an acceptable level for a specified amount of time (restart delay). The trip delay prevents nuisance tripping due to rapidly fluctuating power line conditions.

The Model 355-200 is equipped with one standard 480VA @ 240VAC (10A general purpose) contact. The Model 355-200 can be ordered with optional 15A general purpose contacts to switch heavier current loads.

The Model 355-400 and 355-600 are equipped with one standard 470VA @ 600V contact. The Model 355-400 and 355-600 can be ordered with 15A general purpose contacts to switch heavier current loads.



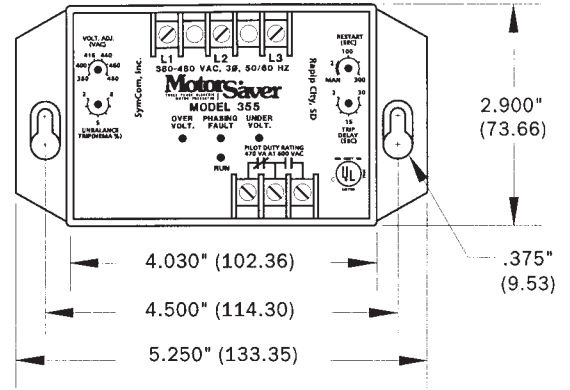
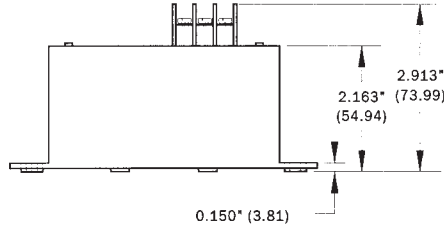
2880 North Plaza Drive • Rapid City, SD 57702
(800) 843-8848 • (605) 348-5580 • FAX (605) 348-5685
www.symcom.com • email: sales@symcominc.com

Motors[®]Saver

THREE-PHASE ELECTRIC MOTOR PROTECTOR

Model 355 Three-Phase Voltage Monitor

- Specifications
- Operating Points
- Special Options



Specifications

3-Phase Line Voltage

355-200.....	190-240VAC
355-400.....	380-480VAC
355-600.....	575-600VAC

(Specify voltage range)

Frequency50*/60 Hz

Low Voltage (% of setpoint)

- Trip90% ±1%
- Reset93% ±1%

High Voltage (% of setpoint)

- Trip110% ±1
- Reset107% ±1%

Voltage Unbalance (NEMA)

- Trip2-8% adjustable
- ResetTrip setting minus 1%

Trip Delay Time

- Low & High Voltage and Unbalance....2-30 sec. adjustable
- Single-phasing Faults (>25% UB)0.5 sec.

Restart Delay Time

- After a Fault or Power LossManual, 2-300 sec. adjustable

Output Contact Rating (Pilot Duty)

- SPDT470VA @ 600VAC
(400 or 600V range)
10A General Purpose or
1hp @ 240VAC (200V range)

Transient Protection (Internal)2500V for 10 mSeconds

Repeat Accuracy

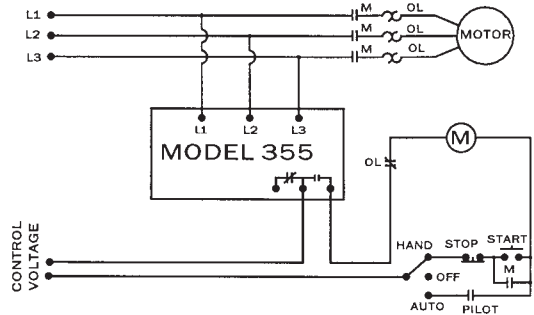
- Fixed Conditions.....±0.1%

Power Consumption6 Watts (max.)

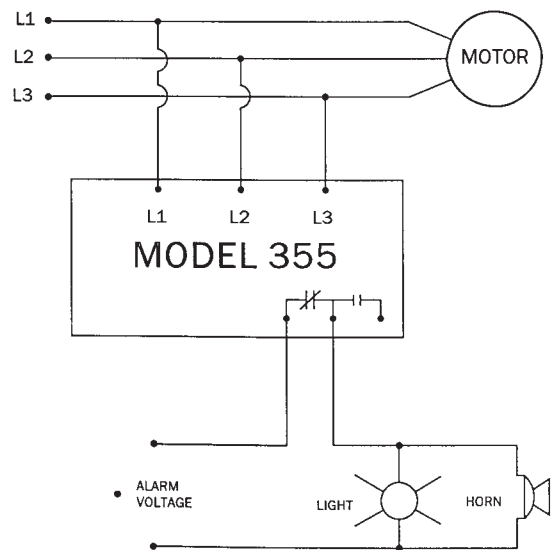
Weight1 lb.

*Note: 50Hz units will increase all delay times by 20%.

TYPICAL WIRING DIAGRAM FOR MODEL 355 WITH MOTOR CONTROL



TYPICAL WIRING DIAGRAM FOR MODEL 355 WITH ALARM CONTROL



SymCom warrants its microcontroller-based products against defects in material or workmanship for a period of five (5) years from the date of manufacture. All other products manufactured by SymCom shall be warranted against defects in material and workmanship for a period of two (2) years from the date of manufacture. For complete information on warranty, liability, terms, returns, and cancellations, please refer to the SymCom Terms and Conditions of Sale document.