

354940-1 ✓ ACTIVE

AMP

TE Internal #: 354940-1

Portable Crimp Tools, Commercial Crimp Tooling, Operator Releasable & Adjustable, Removable/Interchangeable, Manual, PRO-CRIMPER Hand Tool

[View on TE.com >](#)



Application Tooling > Portable Crimp Tools



Tool Grade: **Commercial Crimp Tooling**

Ratchet Configuration: **Operator Releasable & Adjustable**

Die Sets Type: **Removable/Interchangeable**

Certification: **Cannot be Certified**

Power Type: **Manual**

Features

Other

Tool Grade	Commercial Crimp Tooling
Ratchet Configuration	Operator Releasable & Adjustable
Die Sets Type	Removable/Interchangeable
Certification	Cannot be Certified
Power Type	Manual
Tool Type	PRO-CRIMPER Hand Tool

Product Compliance

[For compliance documentation, visit the product page on TE.com>](#)

EU RoHS Directive 2011/65/EU	Compliant
EU ELV Directive 2000/53/EC	Out of Scope
China RoHS 2 Directive MIIT Order No 32, 2016	No Restricted Materials Above Threshold
EU REACH Regulation (EC) No. 1907/2006	Current ECHA Candidate List: JUN 2020 (209) Candidate List Declared Against: JUN 2020 (209) Does not contain REACH SVHC
Halogen Content	Low Halogen - Br, Cl, F, I < 900 ppm per homogenous material. Also BFR/CFR/PVC Free

Solder Process Capability

Not applicable for solder process capability

Product Compliance Disclaimer

This information is provided based on reasonable inquiry of our suppliers and represents our current actual knowledge based on the information they provided. This information is subject to change. The part numbers that TE has identified as EU RoHS compliant have a maximum concentration of 0.1% by weight in homogenous materials for lead, hexavalent chromium, mercury, PBB, PBDE, DBP, BBP, DEHP, DIBP, and 0.01% for cadmium, or qualify for an exemption to these limits as defined in the Annexes of Directive 2011/65/EU (RoHS2). Finished electrical and electronic equipment products will be CE marked as required by Directive 2011/65/EU. Components may not be CE marked. Additionally, the part numbers that TE has identified as EU ELV compliant have a maximum concentration of 0.1% by weight in homogenous materials for lead, hexavalent chromium, and mercury, and 0.01% for cadmium, or qualify for an exemption to these limits as defined in the Annexes of Directive 2000/53/EC (ELV). Regarding the REACH Regulation, the information TE provides on SVHC in articles for this part number is based on the latest European Chemicals Agency (ECHA) 'Guidance on requirements for substances in articles' posted at this URL: <https://echa.europa.eu/guidance-documents/guidance-on-reach>

Compatible Parts




TE Model / Part # 51565-3
SUBMIN SOCKET



TE Model / Part # 51565-1
SUB MIN SOCKET




TE Model / Part # 226537-1
SUB MIN PIN MULTIMATE




TE Model / Part # 696451-1
PIDG 22-16 K-D,NI-PL



TE Model / Part # 130230
SOLIS R 12-10 6MM



TE Model / Part # 151730
22-16 PIDG R/T 2BA NYLON EXP.1



TE Model / Part # 322419
TERMINAL,BUDG R 16-14 4



TE Model / Part # 1-1377174-1
SMP 0-0165168-0



TE Model / Part # 2063013-5
SDE DIE SET, 10.80 HEX



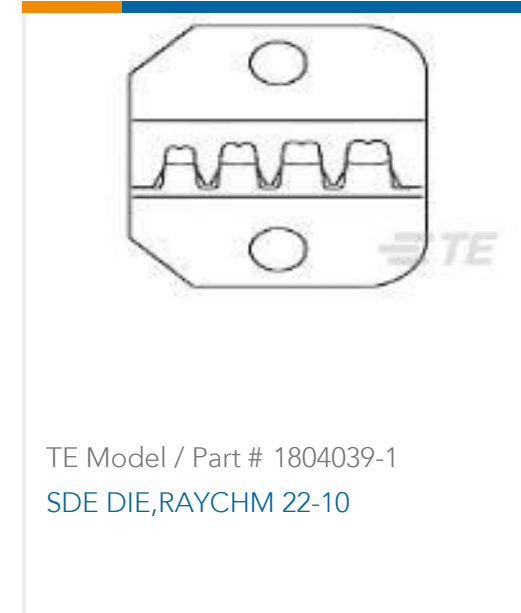
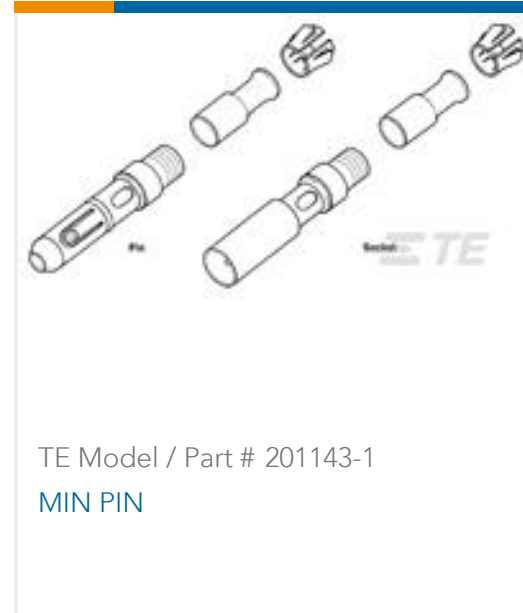
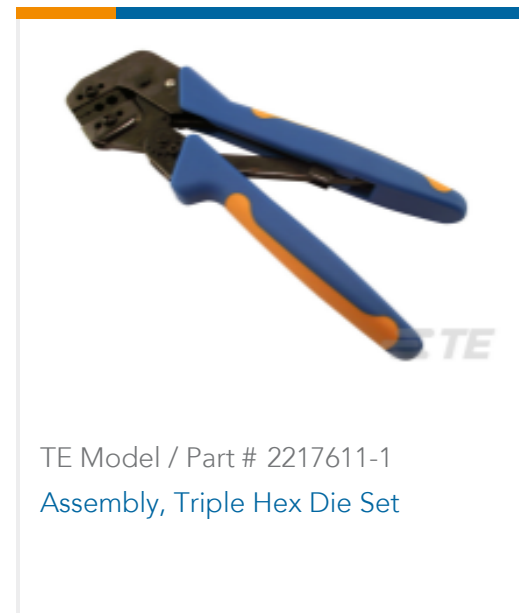
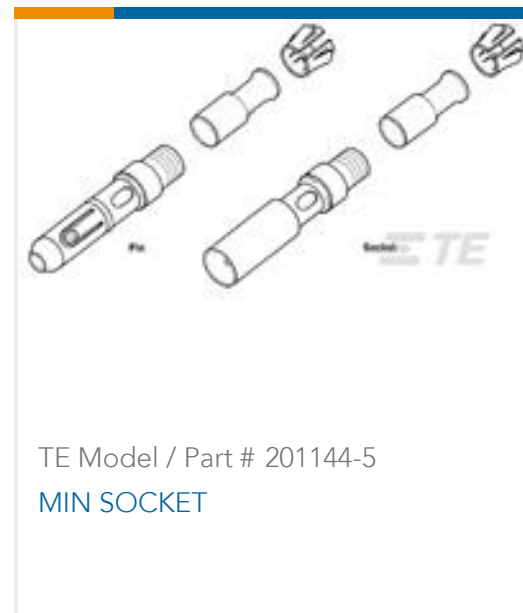
TE Model / Part # 130228
SOLIS R 12-10 5MM



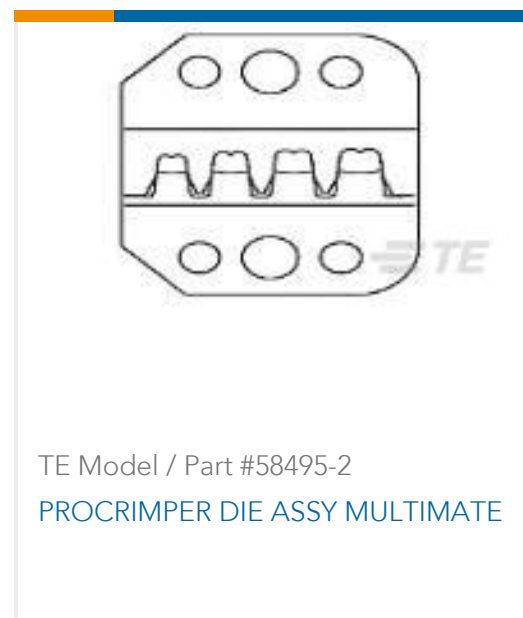
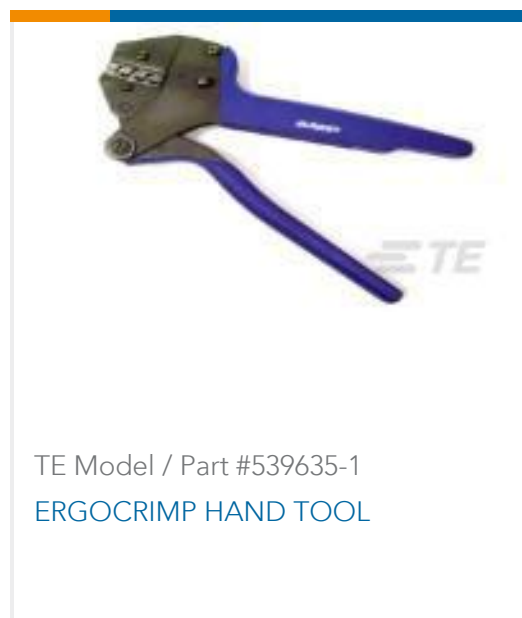
TE Model / Part # 1-1377174-7
SMP 0-0165049-0



TE Model / Part # 201143-5
MIN PIN



Customers Also Bought



Documents



Datasheets & Catalog Pages

[1-1773865-2_1015_Commercial Manual Hand Tools](#)

English

[PIDG TERMINALS & SPLICES Quick Reference Guide](#)

English

[Crimp Term Whitepaper-Use the Right Tool 1-1773953-1](#)

English

[Bottoming Dies](#)

English

[CRIMPING WHERE FORM MEETS FUNCTION](#)

English

Instruction Sheets

[Instruction Sheet \(U.S.\)](#)

English

[PRO-CRIMPER II Hand Crimping Tool Frame Assembly 354940-1](#)

English

[Instruction Sheet \(U.S.\)](#)

English

[Instruction Sheet \(U.S.\)](#)

English

[Instruction Sheet \(U.S.\)](#)

English