

35 Electronics Pliers ESD



35 12 115 ESD



Style 1: flat, flat wide jaws



35 22 115 ESD



Style 2: half-round jaws



35 32 115 ESD



Style 3: round, pointed jaws



35 42 115 ESD



Style 4: 45° bent, half-round jaws

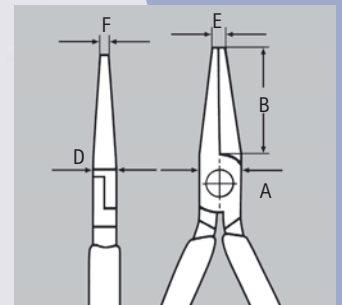
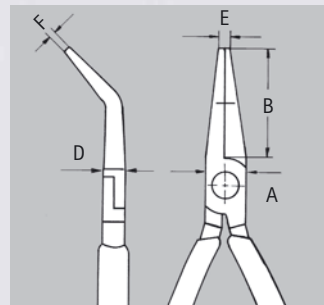
- ▶ precision pliers for ultra fine assembly work, e. g. in electronics and fine mechanics
- ▶ for gripping, holding and bending
- ▶ electrically discharging version – dissipative
- ▶ precision box joint
- ▶ smooth ground gripping surfaces
- ▶ edges carefully deburred
- ▶ low-friction double spring – for gentle and even opening
- ▶ the polish together with a fine film of oil offer the best possible rust protection – no circuit faults caused by peeling chrome from plated tools
- ▶ with two-colour dual component handles black/grey
- ▶ special tool steel, oil-hardened and tempered

KNIPLEX special

In the design of KNIPLEX Electronics Pliers for gripping and cutting ergonomic criteria have been given particular attention. The result is a comfortable and user friendly adaption of the plier to the human hand.



When using pliers on components endangered by electrostatic discharge (ESDS – electro static discharge sensitive devices) relevant regulations and standards (e. g. IEC TR 61 340-5, DIN EN 61 340-5, SP Method 2472) require a controlled discharge of electric energy through the handles of such pliers. The KNIPLEX Electronics Pliers in ESD version discharge the electrostatic energy correspondingly slowly and controlled to protect endangered components.



Article-No.	EAN-Code	Style	Head	Handles	Dimensions					
					B	A	D	E	F	g
35 12 115 ESD	024835	1	mirror polished	with two-colour dual component handles	22.5	9.5	6.5	2.0	4.0	75
35 22 115 ESD	024842	2	mirror polished	with two-colour dual component handles	22.5	9.5	6.5	2.0	1.5	70
35 32 115 ESD	024859	3	mirror polished	with two-colour dual component handles	22.5	9.5	6.5	2.0	1.0	60
35 42 115 ESD	024866	4	mirror polished	with two-colour dual component handles	22.5	9.5	6.5	2.0	1.5	75