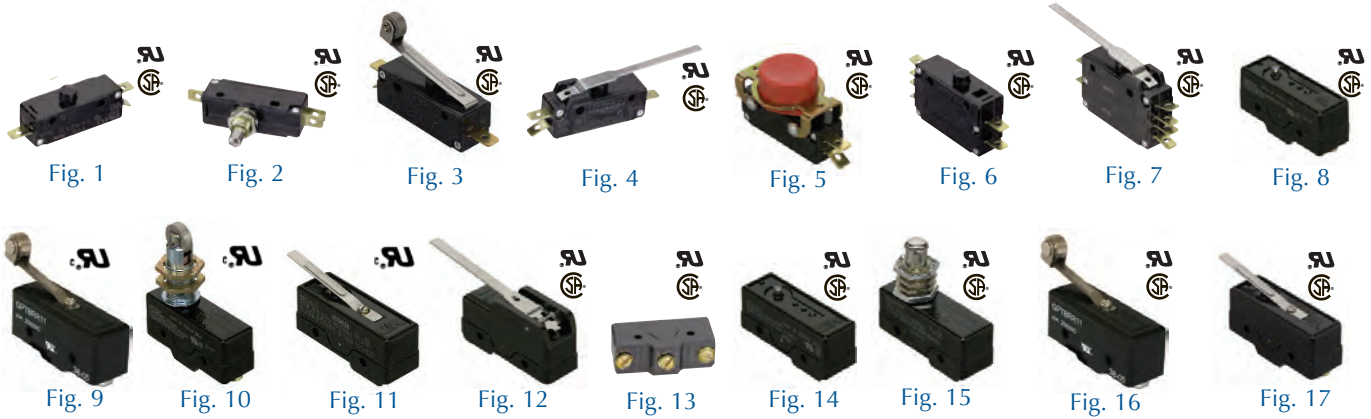


## GENERAL PURPOSE SNAP ACTION



Retail Part No.	Bulk Part No.	Fig. No.	Amps **VAC	Amps 125 VDC	Amps 250 VDC	HP 125 VAC	HP 250 VAC	PT Max. (In)	OT Min. (In)	DT Max. (In)	OF Max. Oz. (grams)	Actuator	Actuator Length (In)	Terminal Type	Spec Drawing Page No.
35-461	35-461-BU	1	15			3/4	1-1/2	0.050	0.050	0.010	20 (567)	PI		QC .250"	297-A
35-462	35-462-BU	2	15			3/4	1-1/2	0.050	0.187	0.010	20 (567)	PI w/OT		QC .250"	297-B
35-463	35-463-BU	3	15			3/4	1-1/2	0.281	0.062	0.094	20 (567)	Ro	1.50	QC .250"	297-C
35-464	35-464-BU	4	15			3/4	1-1/2	0.312	0.187	0.062	20 (567)	Lever	2.50	QC .250"	297-D
35-830	35-830-BU	5	15			3/4	1-1/2	0.050	0.050	0.010	20 (567)	Red Pb		QC .250"	297-E
35-831	35-831-BU	5	15			3/4	1-1/2	0.050	0.050	0.010	20 (567)	Black Pb		QC .250"	297-E
35-990	35-990-BU	*6	15			3/4	1-1/2	0.050	0.050	0.010	30 (850)	PI		QC .250"	297-F
35-992	35-992-BU	*7	15			3/4	1-1/2	0.312	0.187	0.062	30 (850)	Lever	2.50	QC .250"	297-F
35-3900	35-3900-BU	8	15			1/8	1/4	0.016	0.005	0.002	12.3 (350)	PP		Sc	297-G
35-3901	35-3901-BU	8	15	1/2	1/4			0.016	0.005	0.002	12.3 (350)	PP		Sc	297-G
35-3907	35-3907-BU	9	15					0.158	0.063	0.002	5.3 (151)	LRO	1.783	Sc	297-O
35-3910	35-3910-BU	10	20	1/2	1/4	1	2	0.028	0.140	0.008	22.9 (650)	RP		Sc	297-I
35-3911	35-3911-BU	10	15					0.016	0.140	0.002	12.3 (349)	RP		Sc	297-I
35-828	35-828-BU	11	20	1/2	1/4	1	2	0.156	0.062	0.050	5-13 (142-370)	LL	1.95	Sc	297-H
35-829	35-829-BU	11	15	1/2	1/4	1	2	0.156	0.062	0.050	5-13 (142-370)	LL	1.97	Sd	297-H
35-890	35-890-BU	12	20	1/2	1/4			0.380	0.190	0.156	3.5-26 (100-740)	Lever	2.50	Sc	297-J
35-892	35-892-BU	13	20	1/2	1/4	1	2	0.020	0.055	0.002	12.3 (350)	SP		Sd/Sc	297-K&L
35-894	35-894-BU	14	20	1/2	1/4	1	2	0.020	0.005	0.002	12.3 (350)	PP		Sd/Sc	297-L
35-896	35-896-BU	15	20	1/2	1/4	1	2	0.020	0.063	0.002	12.3 (350)	PI w/OT		Sd/Sc	297-M
35-980	35-980-BU	14	20	1/2	1/4			0.030	0.005	0.005	26 (740)	PP		Sd/Sc	297-L
35-982	35-982-BU	15	20	1/2	1/4			0.030	0.220	0.005	26 (740)	PI		Sd/Sc	297-M
35-984	35-984-BU	12	20	1/2	1/4			0.380	0.190	0.047	2.5-9 (60-255)	Lever	2.50	Sd/Sc	297-J
35-987	35-987-BU	16	20	1/2	1/4	1/2	1	0.468	0.062	0.085	3.5 (100)	Ro	1.91	Sc	297-N
35-3903	35-3903-BU	13	20	1/2	1/4	3/4	1 1/2	0.020	0.055	0.002	12.3 (350)	SP		Sc	297-K
35-3904	35-3904-BU	17	20	1/2	1/4	1/2	1	0.158	0.062	0.050	5.3 (150)	LL	1.95	Sc	297-H
35-3906	35-3906-BU	16	20	1/2	1/4	1	2	0.156	0.062	0.050	5-13 (142-370)	LRO	1.78	Sc	297-O

Notes: All of the above have momentary action  
 \*DPDT  
 \*\*125/250VAC  
 All have SPDT, but 35-990 & 35-992

DT=Differential Travel  
 HP=Horse Power  
 HRo=Hinged Roller  
 LRo=Leaf Rollers  
 LL=Leaf Lever

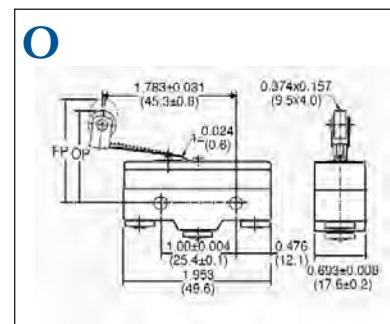
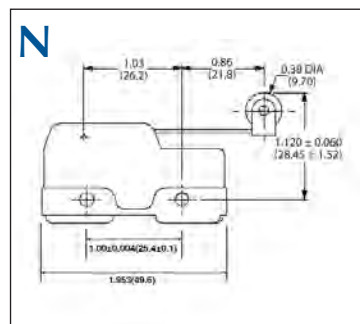
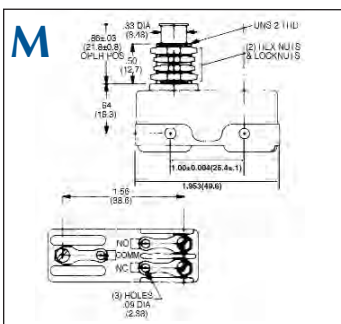
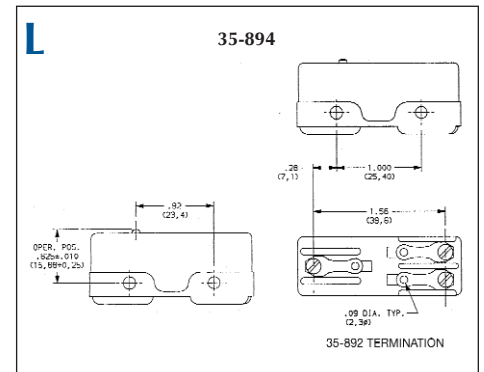
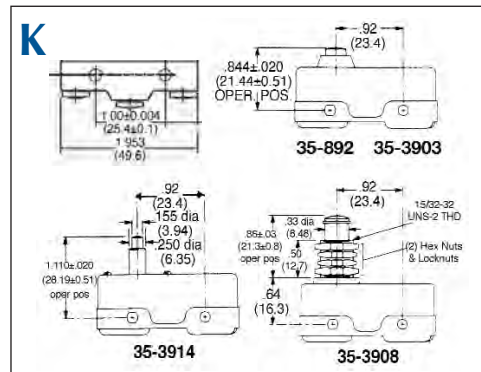
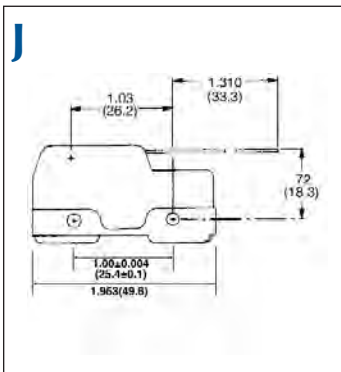
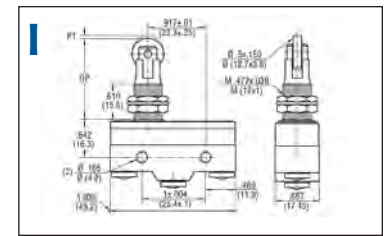
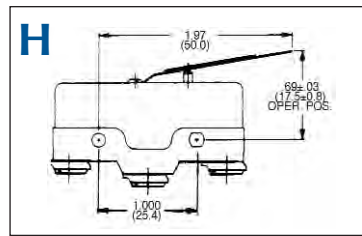
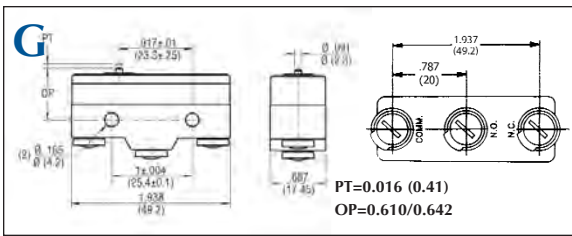
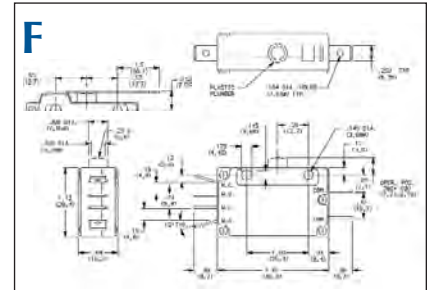
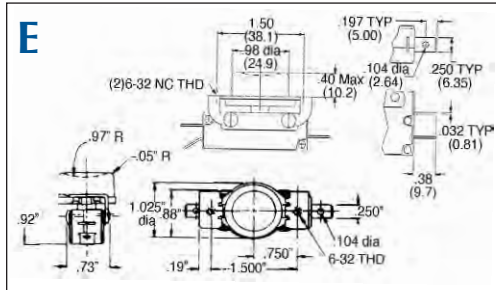
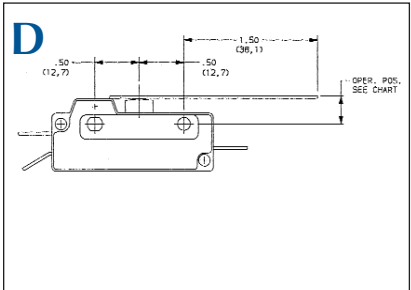
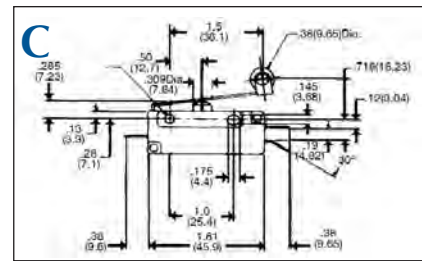
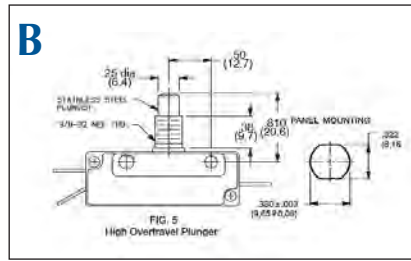
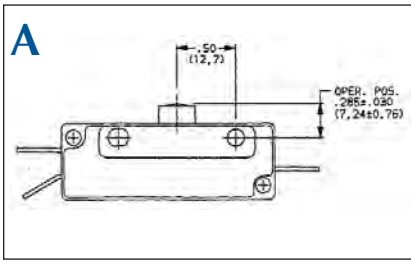
OF=Operating Force  
 OT=Over Travel  
 Pb=Pushbuttons  
 Pl.=Plunger

PT=Pre-Travel  
 QC=Quick Connect  
 RP=Roller Plunger  
 Sc=Screw

Sd=Solder  
 ShRo=Short Roller  
 SP=Stub Plunger  
 PP=Pin Plunger  
 Ro=Roller

Note: All figures are for illustration purpose only, and the number/type of terminals may vary.

## GENERAL PURPOSE SNAP ACTION (Cont.)



## GENERAL PURPOSE SNAP ACTION (Cont.)



Fig. 1



Fig. 2



Fig. 3



Fig. 4



Fig. 5

Retail Part No.	Bulk Part No.	Fig. No.	Amps **VAC	Amps 125 VDC	Amps 250 VDC	HP 125 VAC	HP 250 VAC	PT Max. (In)	OT Min. (In)	DT Max. (In)	OF Max. Oz. (grams)	Actuator	Actuator Length (In)	Terminal Type	Spec Drawing Page No.
35-3908	35-3908-BU	1	20	1/2	1/4	3/4	1-1/2	0.025	0.22	0.002	20 (567)	High OT Pl		Sc	299-A
35-3914	35-3914-BU	2	20	1/2	1/4	3/4	1-1/2	0.020	0.062	0.002	13 (368)	Small OT Pl		Sc	299-A
35-3916	35-3916-BU	3	20	1/2	1/4	3/4	1-1/2	0.380	0.190	0.078	2.5-18 (71-510)	Lever	2.34	Sc	299-B
35-3920	35-3920-BU	4	20	1/2	1/4	3/4	1 1/2	0.080	0.090	0.008	10-13 (284-370)	RARO	0.65	Sd/Sc	299-C
35-3921	35-3921-BU	4	20	1/2	1/4	N/R	N/R	0.080	0.090	0.008	10-13 (284-370)	RARO	0.65	Sd/Sc	299-C
35-3922	35-3922-BU	5	20	1/2	1/4	1/2	1		0.094	0.020	18 (510)	HRo	0.91	Sc	299-D

Notes: All of the above have momentary action  
 \*\*125/250/480VAC  
 All have SPDT

DT=Differential Travel  
 HP=Horse Power  
 HRo=Hinged Roller  
 LRo=Leaf Rollers  
 LL=Leaf Lever

OF=Operating Force  
 OT=Over Travel  
 Pb=Pushbuttons  
 Pl.=Plunger

PT=Pre-Travel  
 QC=Quick Connect  
 RP=Roller Plunger  
 Sc=Screw  
 RARO=Reverse Action Roller

Sd=Solder  
 SP=Stub Plunger  
 PP=Pin Plunger  
 Ro=Roller

## KEYLOCK SWITCHES



Fig. 6



Fig. 7



Fig. 8



Fig. 9



Fig. 10



Fig. 11

Retail Part No.	Bulk Part No.	Fig. No.	Poles/Throws	Amps 125 VAC	Action	Index	Lock Type	Key Removal	Actuator	Terminal Type	Mounting Hole (In)	Hardware	Spec Drawing Page No.
35-196	35-196-BU	6	SPST	2.5*	On/Off	90°	5 disk tumbler	2 Pos.	Metal Key††	Sc	0.875	***	299-E
35-3190	35-3190-BU	7	SPDT	4	On/On	90°	4 tumbler w/detent	2 Pos.	Metal Key†	Sd Lug	0.760 x 0.640	N, 2Keys	299-G
35-3192	35-3192-BU	7	DPDT	4	On/On	90°	4 tumbler w/detent	2 Pos.	Metal Key†	Sd Lug	0.760	N, 2Keys	299-G
35-3193	35-3193-BU	8	SPDT	4	On/On	90°	6 tumbler w/tube lock	2 Pos.	Metal Barrel Key†	6" WL	0.760 x 0.640	N, 2Keys	299-H
35-3194	35-3194-BU	8	SPDT	4	On/On	90°	6 tumbler w/tube lock	1 Pos.	Metal Barrel Key†	6" WL	0.760 x 0.640	N, 2Keys	299-H
35-3195	35-3195-BU	9	SPDT	4	On(On)	45°	4 tumbler	1 Pos.	Metal Key†	6" WL	0.760 x 0.640	N, 2Keys	299-F
35-3197	35-3197-BU	10	SP3T	4	**	45°	4 tumbler	1 Pos.	Metal Key†	Sd Lug	0.760 x 0.640	N, 2Keys	299-G
35-3482		11	SPDT	****	Off/On(On)	90°	5 tumbler	1 Pos.	Metal Key†	Sc	0.844	N, 2Keys	299-I

Notes: \*Rated @ 2.5Amps 120VAC (480V.A.)  
 \*\*SP-3 pos. On1 - Off - On2  
 \*\*\*Nut, 2 Screws, Ring, and 2 Keys  
 35-196 is rated @ 2.5A @120VAC (480V.A.),  
 2.1amps @46VDC (96V.A.), all of the rest are rated  
 @ 2A @250VAC/4A @ 28VDC, except 35-3482  
 \*\*\*\*35-3482 is rated @ 15A 6-12VDC-2 Position SPDT

**Keys(2) included in Hardware**  
 N=Nut  
 Pos.=Positions  
 Sc=Screw  
 Sd=Solder  
 WL=Wire Leads  
 †=All keyed alike per figure

††=For 35-196 switches all keyed alike order:  
 Key#530=35-530-BU  
 Key#531=35-531-BU  
 Key#540=35-540-BU  
 Key#541=35-541-BU  
 Key#550=35-550-BU  
 Key#553=35-553-BU

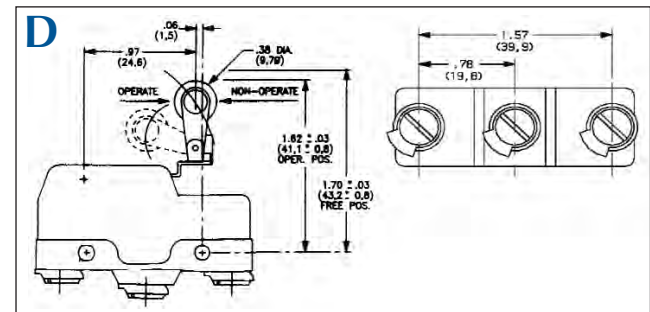
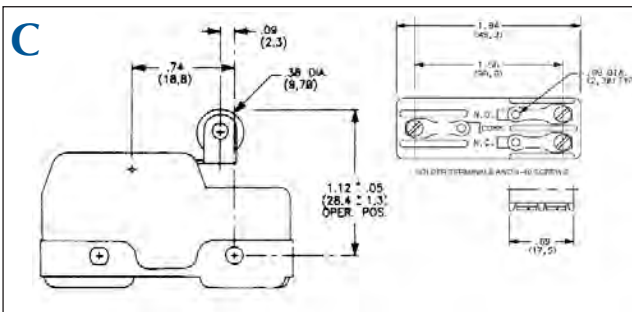
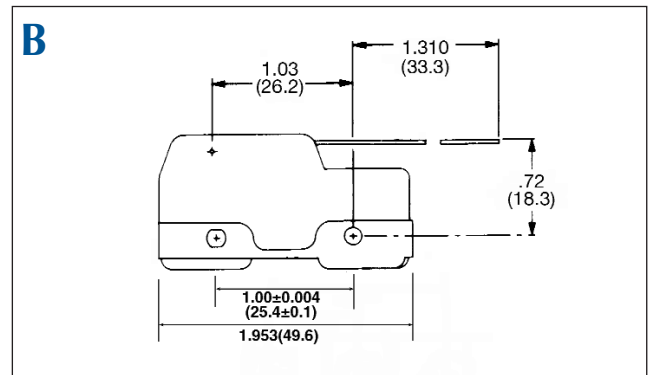
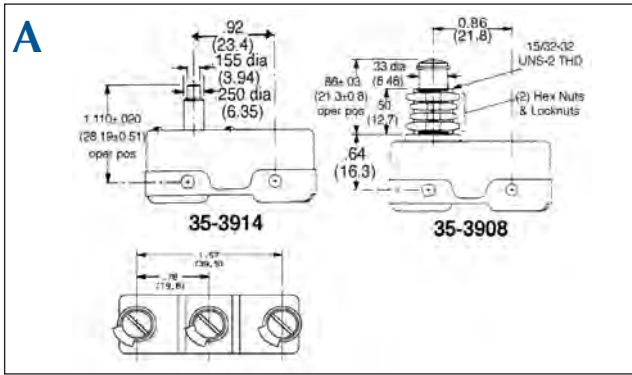
#1110801 Keys for 35-3193 & 35-3194

#115140126 Keys for 35-3190, 35-3192, 35-3195 & 35-3197

Note: All figures are for illustration purpose only, and the number/type of terminals may vary.



## GENERAL PURPOSE SNAP ACTION (Cont.)



## KEYLOCK SWITCHES (Cont.)

