

PLEASE CHECK WWW.MOLEX.COM FOR LATEST PART INFORMATION

Part Number: [0351810220](#)
Status: **Active**
Description: 1.78mm Tab Multiple Wire-to-Wire Female Housing, 2 Circuits, Vertical, Type C

Documents:

[3D Model](#) [Packaging Specification 351810200-100 \(PDF\)](#)
[Drawing \(PDF\)](#) [RoHS Certificate of Compliance \(PDF\)](#)
[Product Specification PS-35182-003-001 \(PDF\)](#)

Agency Certification

CSA LR19980
 UL E29179

General

Product Family Crimp Housings
 Series [35181](#)
 Application Power, Wire-to-Wire
 Product Name N/A
 UPC 800754376112

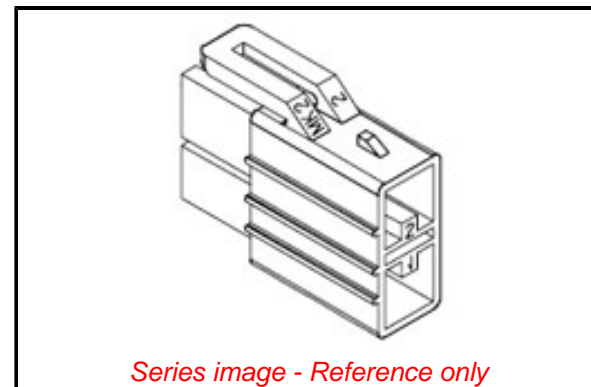
Physical

Circuits (maximum) 2
 Color - Resin Natural
 Flammability 94V-0
 Gender Receptacle
 Glow-Wire Compliant No
 Material - Resin Polyester
 Net Weight 1.700/g
 Number of Rows 2
 Packaging Type Bag
 Panel Mount No
 Pitch - Mating Interface 8.00mm
 Stackable No
 Temperature Range - Operating -40°C to +120°C

Material Info

Reference - Drawing Numbers

Packaging Specification 351810200-100
 Product Specification PS-35182-003-001
 Sales Drawing SD-35181-022*



EU ELV

Not Relevant

EU RoHS

Compliant

REACH SVHC

Not Contained Per -
 ED/30/2017 (7 July
 2017)

Halogen-Free

Status

Not Low-Halogen

**Need more information on product
 environmental compliance?**

Email productcompliance@molex.com
 Please visit the [Contact Us](#) section for any
 non-product compliance questions.

China ROHS	Green Image
ELV	Not Relevant
RoHS Phthalates	Not Contained

Search Parts in this Series

[35181](#) Series

Mates With

[35180](#) Wire-to-Wire Male Housing

Use With

[35746](#) VersaBlade™ Crimp Terminal, [35182](#)
 VersaBlade™ Wire-to-Wire Male Housing
 TPA™