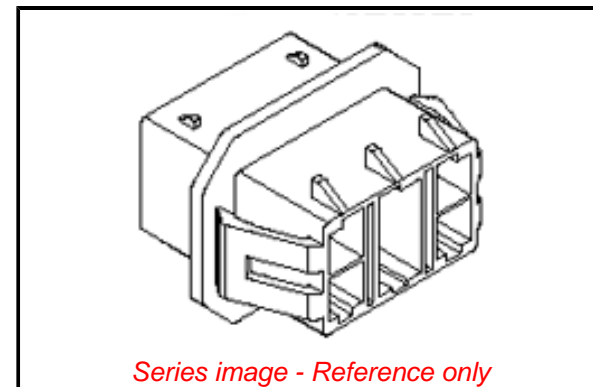


PLEASE CHECK WWW.MOLEX.COM FOR LATEST PART INFORMATION

Part Number: **0351800600**
Status: **Active**
Description: 1.78mm Tab Multiple Wire-to-Wire Plug Housing with Mounting Ears, 6 Circuits, Vertical, Polyester UL94V-0, Natural

Documents:

3D Model	Product Specification PS-35180-002 (PDF)
Drawing (PDF)	Product Specification PS-35180-003 (PDF)
Product Specification 351800400-001 (PDF)	Packaging Specification PK-35180-001-001 (PDF)
Product Specification 351800600-001 (PDF)	RoHS Certificate of Compliance (PDF)



Agency Certification

CSA	LR19980
UL	E29179

General

Product Family	Crimp Housings
Series	35180
Application	Power, Wire-to-Wire
Comments	Polarized to Mating Part, Positive Lock
Product Name	VersaBlade™
UPC	800754249812

Physical

Breakaway	No
Circuits (maximum)	6
Color - Resin	Natural
Flammability	94V-0
Gender	Plug
Glow-Wire Compliant	No
Keying to Mating Part	None
Lock to Mating Part	Yes
Material - Resin	Polyester
Net Weight	8.066/g
Number of Rows	2
Packaging Type	Bag
Panel Mount	Yes
Pitch - Mating Interface	8.50mm
Pitch - Termination Interface	8.50mm
Polarized to Mating Part	Yes
Stackable	No
Temperature Range - Operating	-40°C to +120°C

Material Info

Reference - Drawing Numbers

Packaging Specification	PK-35180-001-001
Product Specification	351800400-001, 351800600-001, PS-35180-002, PS-35180-003
Sales Drawing	SD-35180-060*

EU ELV

Not Relevant

EU RoHS

Compliant

REACH SVHC

Not Contained Per - ED/30/2017 (7 July 2017)

Halogen-Free

Status

Not Low-Halogen

Need more information on product environmental compliance?

Email productcompliance@molex.com
Please visit the [Contact Us](#) section for any non-product compliance questions.

China ROHS	Green Image
ELV	Not Relevant
RoHS Phthalates	Not Contained

Search Parts in this Series

[35180](#) Series

Mates With

Receptacle Housing [35181](#)

Use With

Crimp Terminal [35745](#) , [35746](#) , [35747](#) , TPA [35182](#)