

PLEASE CHECK WWW.MOLEX.COM FOR LATEST PART INFORMATION

Part Number: **0351560200**
Status: **Active**
Description: 3.96mm Pitch Wire-to-Board Housing: Positive Locking, 2 Circuits, Natural

Documents:

| | |
|--|--|
| 3D Model | Packaging Specification 351560200-100 (PDF) |
| Drawing (PDF) | Packaging Specification PK-35156-001-001 (PDF) |
| Product Specification PS-35156-001-001 (PDF) | RoHS Certificate of Compliance (PDF) |
| Product Specification PS-35156-003-001 (PDF) | |

Agency Certification

| | |
|-----|---------|
| CSA | LR19980 |
| UL | E29179 |

General

| | |
|----------------|----------------------|
| Product Family | Crimp Housings |
| Series | 35156 |
| Application | Power, Wire-to-Board |
| Product Name | N/A |
| UPC | 800754375726 |

Physical

| | |
|-------------------------------|-----------------|
| Breakaway | No |
| Circuits (maximum) | 2 |
| Color - Resin | Natural |
| Flammability | 94V-0 |
| Gender | Receptacle |
| Glow-Wire Compliant | No |
| Keying to Mating Part | None |
| Lock to Mating Part | Yes |
| Material - Resin | Polyester |
| Net Weight | 0.693/g |
| Number of Rows | 1 |
| Packaging Type | Bag |
| Panel Mount | No |
| Pitch - Mating Interface | 3.96mm |
| Pitch - Termination Interface | 3.96mm |
| Stackable | No |
| Temperature Range - Operating | -40°C to +105°C |

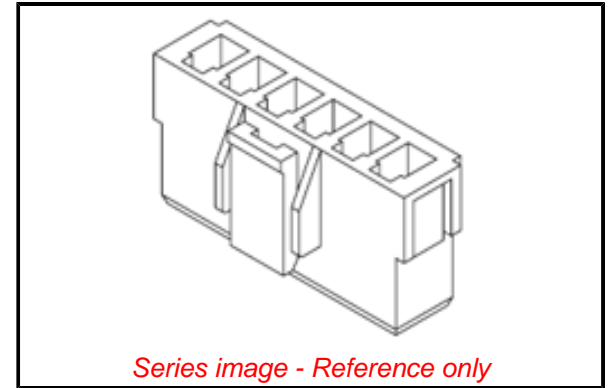
Solder Process Data

| | |
|-----------------------------|-----|
| Lead-freeProcess Capability | N/A |
|-----------------------------|-----|

Material Info

Reference - Drawing Numbers

| | |
|-------------------------|------------------------------------|
| Packaging Specification | 351560200-100, PK-35156-001-001 |
| Product Specification | PS-35156-001-001, PS-35156-003-001 |
| Sales Drawing | SD-35156-**0* |



EU ELV

Not Relevant

EU RoHS

Compliant

REACH SVHC

Not Contained Per -
ED/30/2017 (7 July
2017)

Halogen-Free

Status

Not Low-Halogen

**Need more information on product
environmental compliance?**

Email productcompliance@molex.com
Please visit the [Contact Us](#) section for any
non-product compliance questions.

| | |
|-----------------|---------------|
| China ROHS | Green Image |
| ELV | Not Relevant |
| RoHS Phthalates | Not Contained |

Search Parts in this Series

[35156](#) Series

Mates With

[35313](#) PCB Header, [35328](#) PCB Header

Use With

[50217](#) Crimp Terminals