

**PLEASE CHECK WWW.MOLEX.COM FOR LATEST PART INFORMATION**

**Part Number:** **0351500609**  
**Status:** **Active**  
**Overview:** VersaBlade™ Wire-to-Wire Connector System  
**Description:** Wire-to-Wire VersaBlade™ Hybrid Plug Housing, without Mounting Ears, 6 Circuits, Polyester Carbonate UL94V-0, Natural, Glow Wire Capable

**Documents:**

[3D Model](#) [Packaging Specification PK-35150-005-001 \(PDF\)](#)  
[Drawing \(PDF\)](#) [RoHS Certificate of Compliance \(PDF\)](#)  
[Product Specification PS-35150-003-001 \(PDF\)](#)

**Agency Certification**

CSA LR19980  
 UL E29179

**General**

Product Family Crimp Housings  
 Series 35150  
 Application Power, Wire-to-Wire  
 Comments Polarized to Mating Part, Positive Lock<P><P>This Molex product is manufactured from material that has the following ratings, tested by independent agencies :.  
 a) A Glow Wire Ignition Temperature (GWIT) of at least 775 deg C per IEC 60695-2-13.. b) A G  
VersaBlade™ Wire-to-Wire Connector System  
 Overview VersaBlade™  
 Product Name VersaBlade™  
 UPC 756054256732

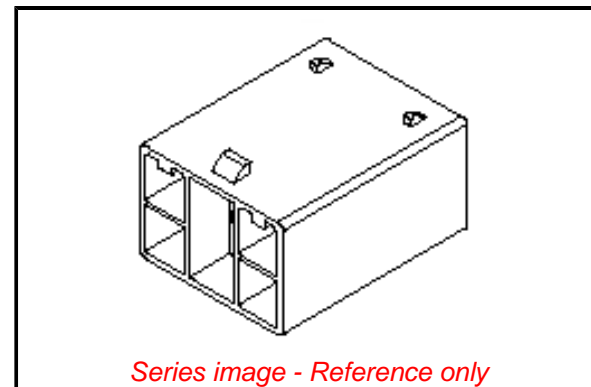
**Physical**

Circuits (maximum) 6  
 Color - Resin Natural  
 Flammability 94V-0  
 Gender Receptacle  
 Glow-Wire Compliant Yes  
 Keying to Mating Part None  
 Lock to Mating Part Yes  
 Material - Resin Polyester Alloy  
 Net Weight 5.026/g  
 Number of Rows 2  
 Packaging Type Bag  
 Panel Mount No  
 Pitch - Mating Interface 6.20mm, 8.90mm  
 Polarized to Mating Part Yes  
 Stackable No  
 Temperature Range - Operating -40°C to +120°C

**Material Info**

**Reference - Drawing Numbers**

Packaging Specification PK-35150-005-001  
 Product Specification PS-35150-003-001  
 Sales Drawing SD-35150-060



**EU ELV**

**Not Relevant**

**EU RoHS**

**Compliant**

**REACH SVHC**

Not Contained Per - ED/30/2017 (7 July 2017)

**Halogen-Free**

**Status**

**Not Low-Halogen**

**Need more information on product environmental compliance?**

Email [productcompliance@molex.com](mailto:productcompliance@molex.com)  
 Please visit the [Contact Us](#) section for any non-product compliance questions.

China ROHS

ELV

RoHS Phthalates

Green Image

Not Relevant

Not Contained

**Search Parts in this Series**

[35150](#) Series

**Mates With**

[35151](#) Receptacle Housing

**Use With**

VersaBlade™ Crimp Terminals, [35745](#) , [35746](#) , [35747](#)