

PLEASE CHECK WWW.MOLEX.COM FOR LATEST PART INFORMATION

Part Number: [0351500604](#)
Status: **Active**
Overview: [VersaBlade™ Wire-to-Wire Connector System](#)
Description: Wire-to-Wire VersaBlade™ Hybrid Plug Housing, without Mounting Ears, 6 Circuits, Polyester UL94V-0, Blue

Documents:

[3D Model](#) [Packaging Specification PK-35150-005-001 \(PDF\)](#)
[Drawing \(PDF\)](#) [RoHS Certificate of Compliance \(PDF\)](#)
[Product Specification PS-35150-003-001 \(PDF\)](#)

Agency Certification

CSA LR19980
 UL E29179

General

Product Family Crimp Housings
 Series [35150](#)
 Application Power, Wire-to-Wire
 Comments Polarized to Mating Part, Positive Lock
 Overview [VersaBlade™ Wire-to-Wire Connector System](#)
 Product Name VersaBlade™
 UPC 756054256718

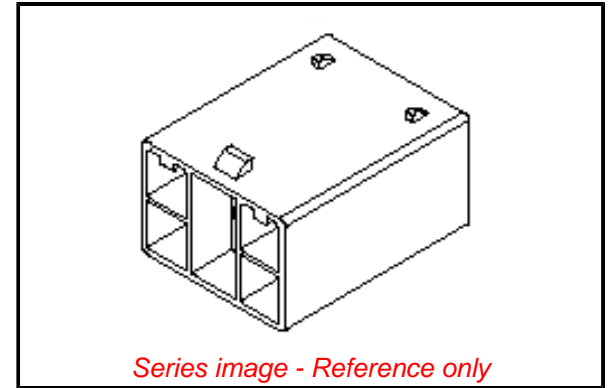
Physical

Circuits (maximum) 6
 Color - Resin Blue
 Flammability 94V-0
 Gender Receptacle
 Glow-Wire Compliant No
 Keying to Mating Part None
 Lock to Mating Part Yes
 Material - Resin Polyester
 Net Weight 4.368/g
 Number of Rows 2
 Packaging Type Bag
 Panel Mount No
 Pitch - Mating Interface 6.20mm, 8.90mm
 Polarized to Mating Part Yes
 Stackable No
 Temperature Range - Operating -40°C to +120°C

Material Info

Reference - Drawing Numbers

Packaging Specification PK-35150-005-001
 Product Specification PS-35150-003-001
 Sales Drawing SD-35150-060



EU ELV

Not Relevant

EU RoHS

Compliant

REACH SVHC

Not Contained Per -
 ED/30/2017 (7 July
 2017)

Halogen-Free

Status

Not Low-Halogen

**Need more information on product
 environmental compliance?**

Email productcompliance@molex.com
 Please visit the [Contact Us](#) section for any
 non-product compliance questions.

China ROHS

ELV

RoHS Phthalates

Green Image

Not Relevant

Not Contained

Search Parts in this Series

[35150](#) Series

Mates With

[35151](#) Receptacle Housing

Use With

VersaBlade™ Crimp Terminals [35745](#) ,
[35746](#) , [35747](#)