

PLEASE CHECK WWW.MOLEX.COM FOR LATEST PART INFORMATION

Part Number: [0351500390](#)
Status: **Active**
Overview: VersaBlade™ Wire-to-Wire Connector System
Description: 1.78mm Tab Wire-to-Wire Terminal Position Assurance (TPA) Retainer, 7.30mm Pitch, 3 Circuits, White

Documents:

[3D Model](#) [Packaging Specification PK-35150-003-001 \(PDF\)](#)
[Drawing \(PDF\)](#) [RoHS Certificate of Compliance \(PDF\)](#)
[Product Specification PS-35150-001-001 \(PDF\)](#)

Agency Certification

CSA LR19980
 UL E29179

General

Product Family Accessories
 Series [35150](#)
 Comments [35150 VersaBlade Hybrid Receptacle Housing, 35151](#)
 Component Type Terminal Position Assurance
 Overview [VersaBlade™ Wire-to-Wire Connector System](#)
 Product Name TPA - Term Pos Assurance, VersaBlade™
 UPC 800754375481

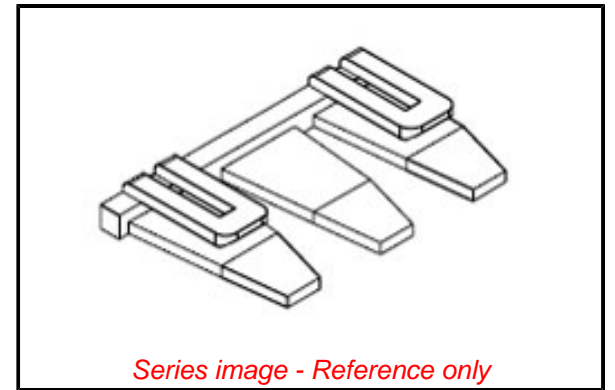
Physical

Circuits (Loaded) 3
 Circuits (maximum) 3
 Color - Resin Natural
 Flammability 94V-2
 Lock to Mating Part Yes
 Material - Resin Nylon
 Net Weight 0.373/g
 Number of Rows 1
 Packaging Type Bag
 Temperature Range - Operating -40°C to +120°C

Material Info

Reference - Drawing Numbers

Packaging Specification PK-35150-003-001
 Product Specification PS-35150-001-001
 Sales Drawing SD-35150-039*



EU ELV

Not Relevant

EU RoHS

Compliant

REACH SVHC

Not Contained Per -
 ED/30/2017 (7 July
 2017)

Halogen-Free

Status

Low-Halogen

**Need more information on product
 environmental compliance?**

Email productcompliance@molex.com
 Please visit the [Contact Us](#) section for any
 non-product compliance questions.

China ROHS

ELV

RoHS Phthalates

Green Image

Not Relevant

Not Contained

Search Parts in this Series

[35150 Series](#)

Use With

Mandatory TPA Clip, [43914-1101](#) ,
[43938-2101](#)