

**PLEASE CHECK WWW.MOLEX.COM FOR LATEST PART INFORMATION**

**Part Number:** [0351500310](#)  
**Status:** **Active**  
**Overview:** VersaBlade™ Wire-to-Wire Connector System  
**Description:** Wire-to-Wire VersaBlade™ Hybrid Plug Housing, with Mounting Ears, 3 Circuits, Polyester UL94V-0, Natural

**Documents:**

[3D Model](#) [Packaging Specification PK-35150-003-001 \(PDF\)](#)  
[Drawing \(PDF\)](#) [RoHS Certificate of Compliance \(PDF\)](#)  
[Product Specification PS-35150-003-001 \(PDF\)](#)

**Agency Certification**

CSA LR19980  
 UL E29179

**General**

Product Family Crimp Housings  
 Series [35150](#)  
 Application Power, Wire-to-Wire  
 Comments Polarized to Mating Part, Positive Lock  
 Overview [VersaBlade™ Wire-to-Wire Connector System](#)  
 Product Name VersaBlade™  
 UPC 800753876781

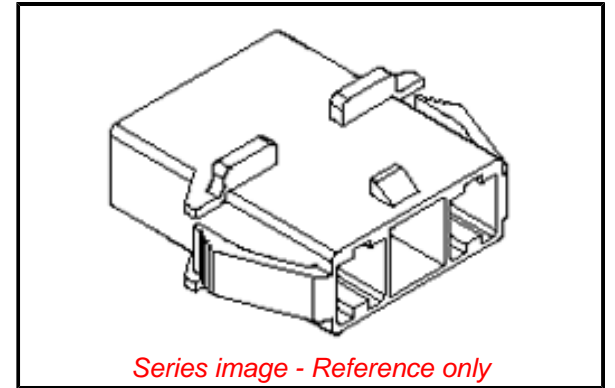
**Physical**

Circuits (maximum) 3  
 Color - Resin Natural  
 Flammability 94V-0  
 Gender Receptacle  
 Glow-Wire Compliant No  
 Keying to Mating Part None  
 Lock to Mating Part Yes  
 Material - Resin Polyester  
 Net Weight 4.173/g  
 Number of Rows 1  
 Packaging Type Bag  
 Panel Mount Yes  
 Pitch - Mating Interface 7.30mm  
 Pitch - Termination Interface 7.30mm  
 Polarized to Mating Part Yes  
 Stackable No  
 Temperature Range - Operating -40°C to +120°C

**Material Info**

**Reference - Drawing Numbers**

Packaging Specification PK-35150-003-001  
 Product Specification PS-35150-003-001  
 Sales Drawing SD-35150-031\*



**EU ELV**

**Not Relevant**

**EU RoHS**

**Compliant**

**REACH SVHC**

Not Contained Per -  
 ED/30/2017 (7 July  
 2017)

**Halogen-Free**

**Status**

**Not Low-Halogen**

**Need more information on product  
 environmental compliance?**

Email [productcompliance@molex.com](mailto:productcompliance@molex.com)  
 Please visit the [Contact Us](#) section for any  
 non-product compliance questions.

China ROHS

ELV

RoHS Phthalates

**China RoHS**

Green Image

Not Relevant

Not Contained

**Search Parts in this Series**

[35150](#) Series

**Mates With**

[35151](#) Receptacle Housing

**Use With**

VersaBlade™ Crimp Terminals [35745](#) ,  
[35746](#) , [35747](#) , TPA [35150-0390](#)