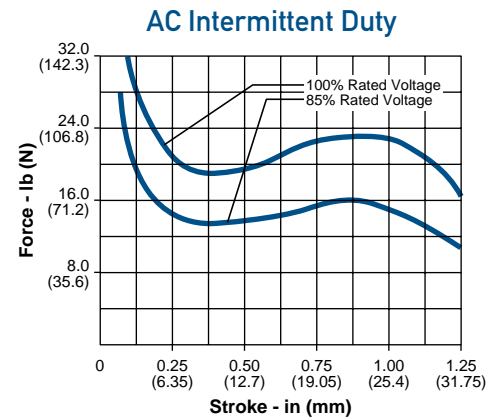
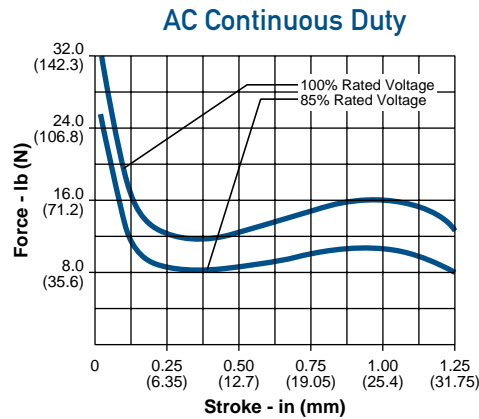


# Dormeyer® Laminate Size 3000 (1" stack) — AC Operation

## Specifications

Continuous Duty Cycle	At 20°C ambient temperature
Intermittent Duty Cycle	20% on time, 80% off time. On time not to exceed 3 min. at 20°C ambient temperature
Coil Insulation	Class "A": 105°C max. temperature standard
Coil Termination	Solder lugs
Plunger Variations	See page G52
Total Weight	43 oz.
Dimensions	See page G52



Duty Cycle	Continuous		Intermittent	
Model	3000-M-1	3001-M-1	3500-M-1	3501-M-1
Volts—60Hz (50 Hz avail.)	120	240	120	240
Coil Resistance ± 10% (Ohms at 25°C)	6.5	26	4.8	19.3
Watts Seated ± 10%	25.0	23.5	47.0	48.0
Amps Seated ± 10%	0.66	0.33	1.80	0.68
Amps at ¼" ± 10%	3.80	1.80	6.50	3.20
Amps at ½" ± 10%	5.50	2.80	9.50	4.80
Amps at ¾" ± 10%	7.50	3.90	13.00	6.60
Amps at 1" ± 10%	10.00	5.20	15.50	7.70
Amps at 1¼" ± 10%	12.00	6.50	17.00	8.50

### NOTES:

1. All data is typical.
2. Pull values indicated are without plunger weight. Add or subtract 0.79 lbs. to obtain net pull when operated with or against gravity. Force data: ±10%.
3. All data reflects operation with no heatsink.
4. Other coil terminations available.
5. All specifications subject to change without notice.

### How to Order

Select the part number from the table provided. (For example, to order a continuous duty cycle unit rated at 120 VAC, specify 3000-M-1.

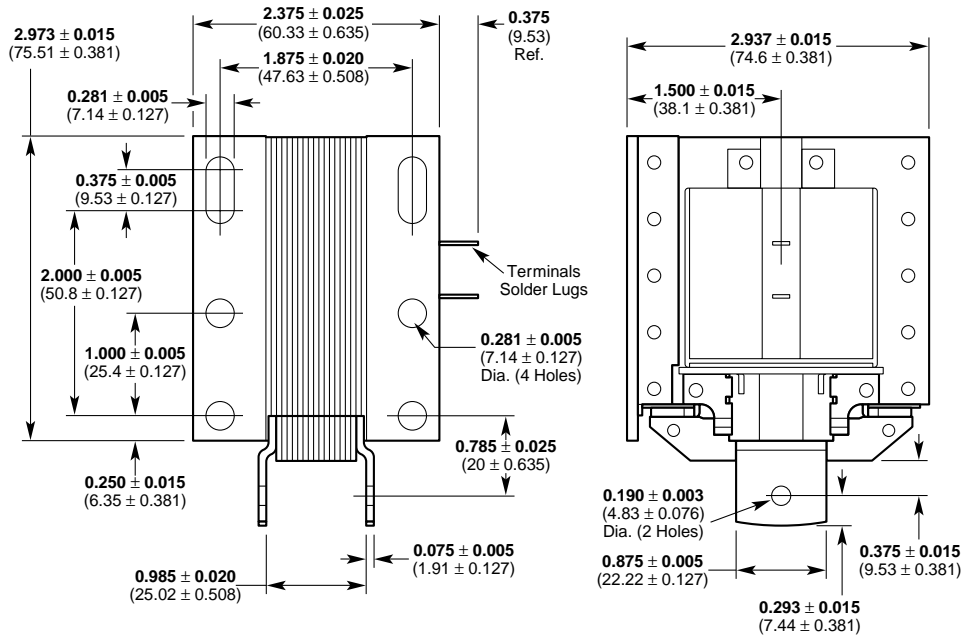
Please see [www.ledex.com](http://www.ledex.com) (click on Stock Products tab) for our list of stock products available through our North American distributors.

# Dormeyer® Laminate Dimensions

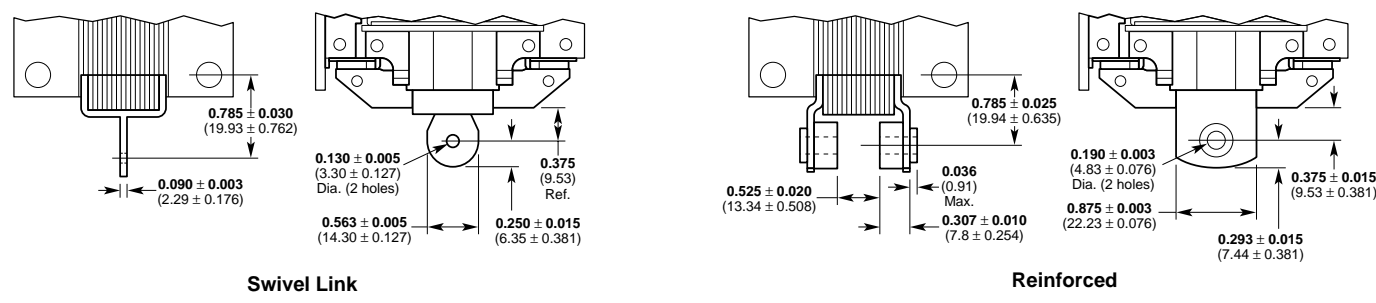
Inches (mm)

All solenoids are illustrated in energized state

Size 3000 (1" Stack)



## Size 3000 (1" Stack) Plunger Variations



All specifications subject to change without notice.