

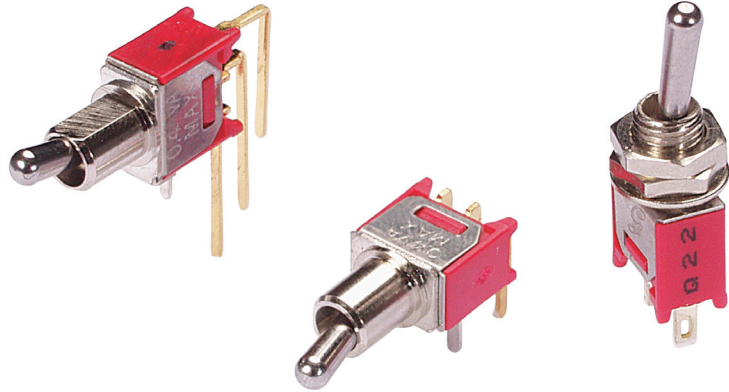


## Series 34C: Sub-Miniature Toggle Switches

### SERIES 34C Sub-Miniature Toggle Switches

#### FEATURES

- Save Space and Weight
- SPDT and DPDT Circuitry
- Choice of Actuators, Bushings, and Terminations
- UL Recognized

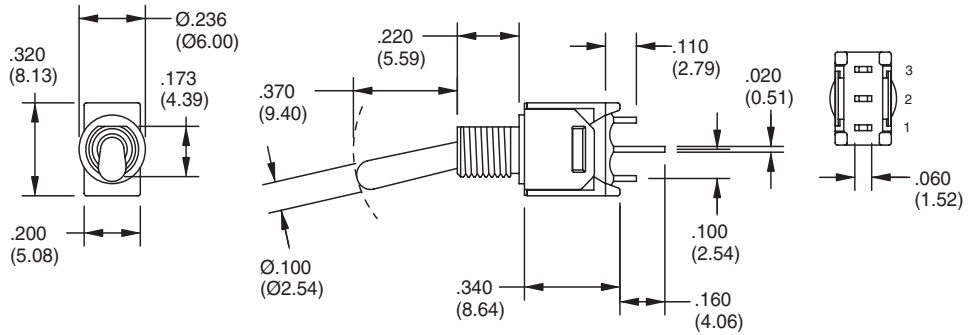


#### MODELS in inches (and millimeters)

##### SPDT

MODEL NO.	SWITCH POSITION		
MSP1	ON	NONE	ON
MSP2	ON	NONE	(ON)
MSP3	ON	OFF	ON
MSP4	(ON)	OFF	(ON)
MSP5	ON	OFF	(ON)
TERM. COMM.	2-3	OPEN	2-1

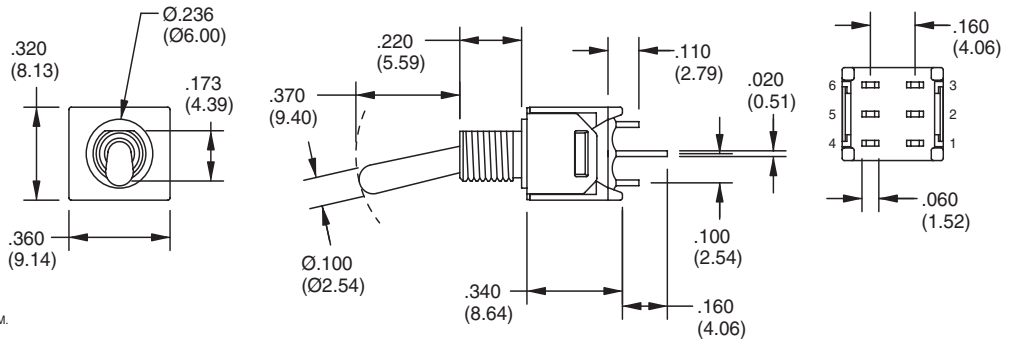
( )=MOMENTARY



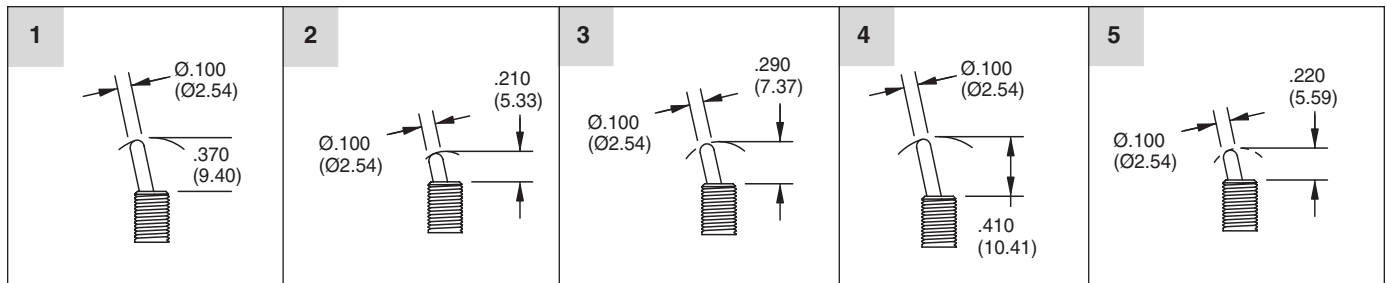
##### DPDT

MODEL NO.	SWITCH POSITION		
MDP1	ON	NONE	ON
MDP2	ON	NONE	(ON)
MDP3	ON	OFF	ON
MDP4	(ON)	OFF	(ON)
MDP5	ON	OFF	(ON)
TERM. COMM.	2-3, 5-6	OPEN	2-1, 5-4

( )=MOMENTARY

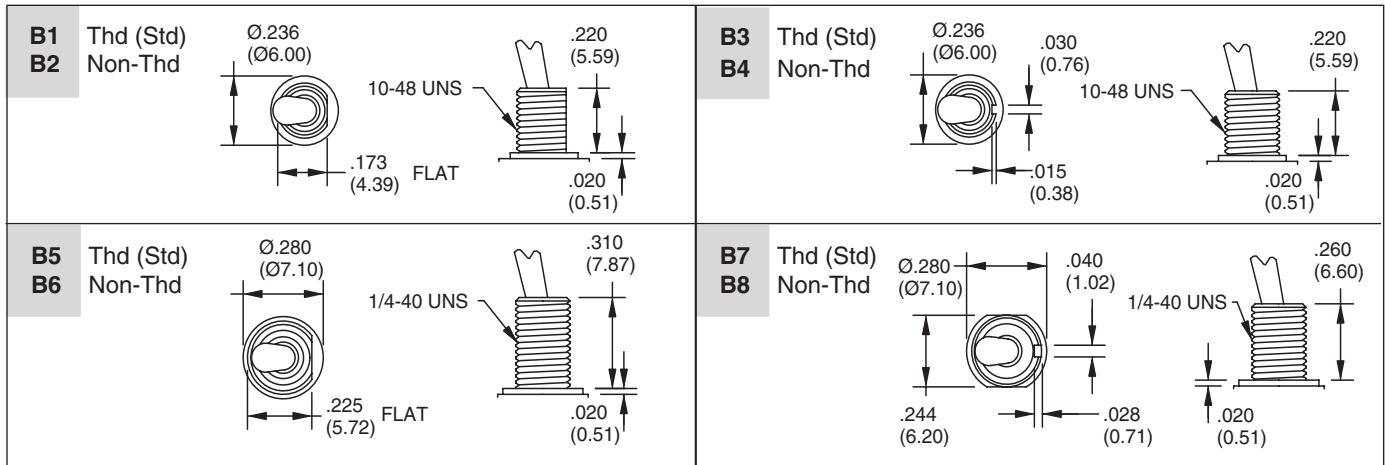


#### ACTUATOR OPTIONS in inches (and millimeters)

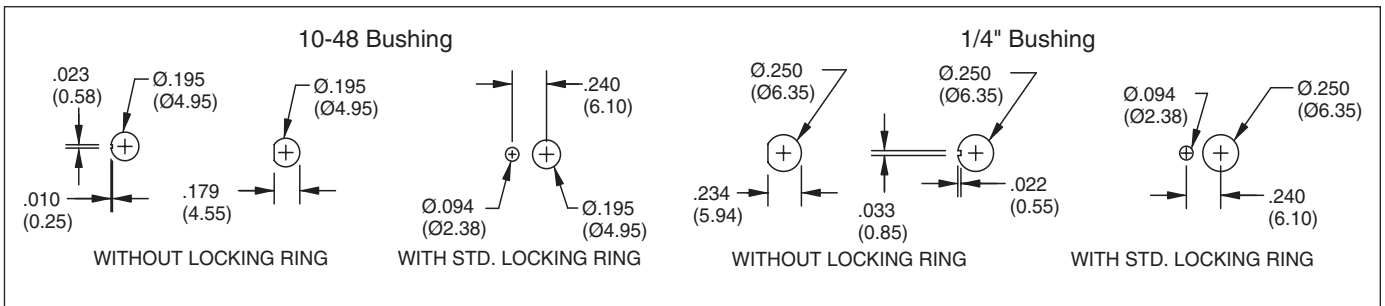


Actuator options 1, 2 and 3 shown with B1 to B4 bushing, subtract 0.90 (2.29) for bushing B5, subtract 0.40 (1.02) for bushing B7. Actuators 4 and 5 shown with B5 and B6 bushing, add 0.90 (2.29) for bushing B1 to B3, add 0.50 (1.27) for bushing B7.

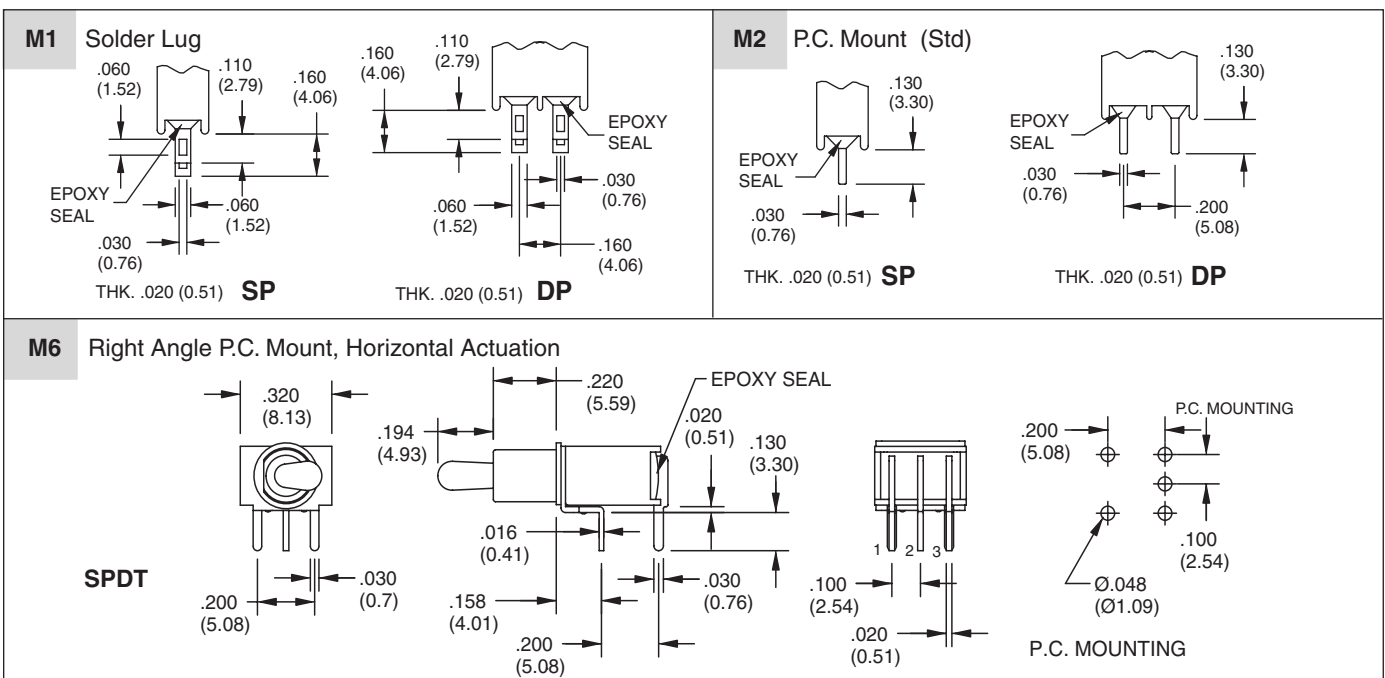
**BUSHING OPTIONS** in inches (and millimeters)



**PANEL MOUNTING** in inches (and millimeters)



**TERMINATION OPTIONS** in inches (and millimeters)

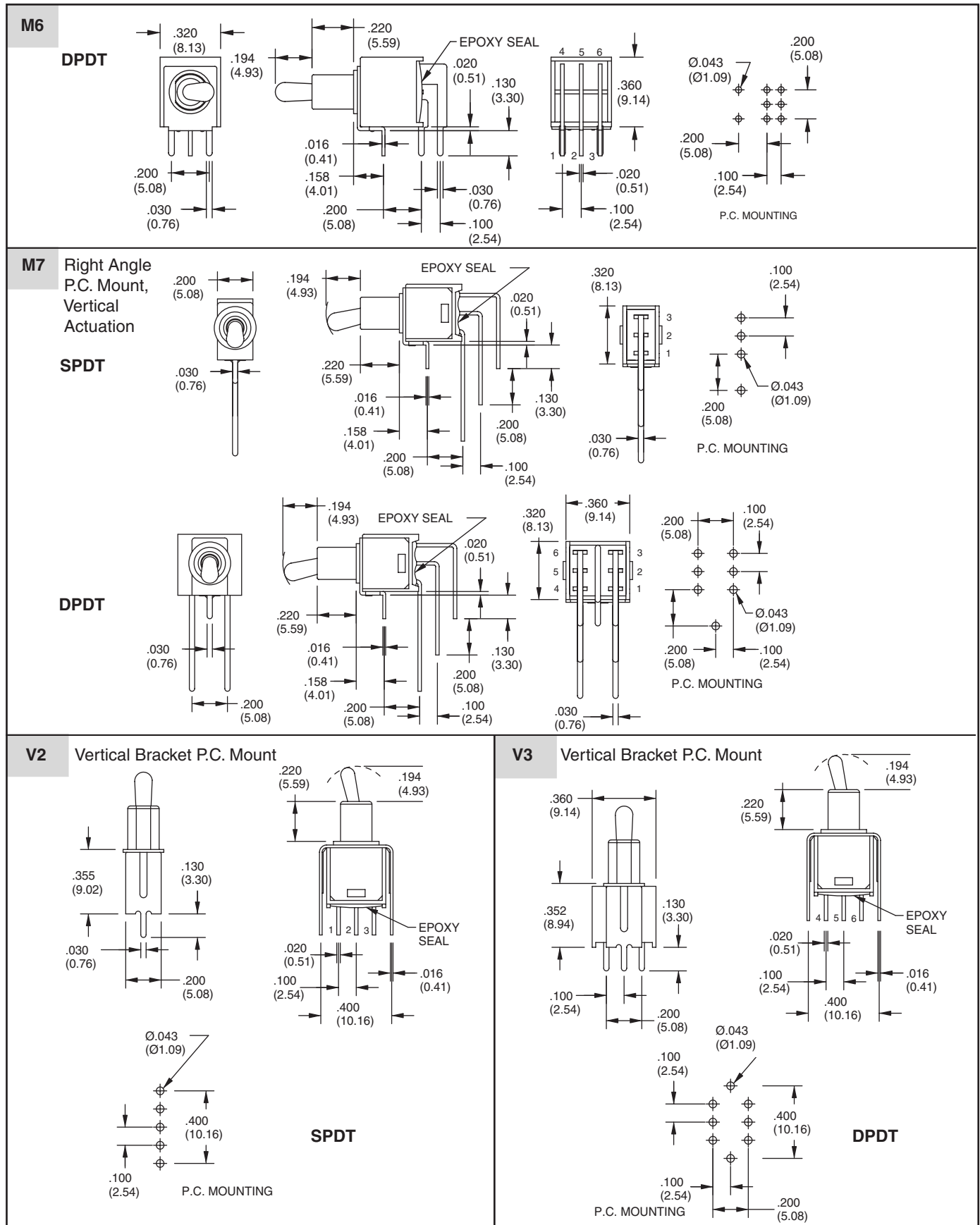


Toggle Switches



## Series 34C: Sub-Miniature Toggle Switches

### TERMINATION OPTIONS in inches (and millimeters)



**SPECIFICATIONS**

**RATINGS**

**Contact Rating:** Q option - 3A with resistive load @ 125VAC or 28 VDC; 1.5A with resistive load @ 250 VAC. R option-0.4 VA max @ 20 Vmax (AC or DC)

**Electrical Life:** 30,000 make-and-break cycles at full load

**Contact Resistance:** 10 milliohms max. initial @ 2-4 VDC, 100 mA

**Insulation Resistance:** 1,000 megaohms minimum

**Dielectric Strength:** 1,000 V RMS @ sea level

**Operating Temperature:** -30°C to 85°C

**UL Recognition:** File number is E35289

**MATERIALS**

**Case:** Diallyl phthalate (DAP) (UL 94V-0)

**Toggle Handle:** Brass, chrome plated

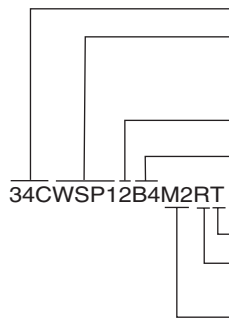
**Bushing:** Brass, nickel plated

**Housing:** Stainless steel

**Terminal/Switch Support:** Brass, electroplated

**Terminal Seal:** Epoxy

**ORDERING INFORMATION**



Series 34C Sub-Miniature Toggle Switches  
 Model: SPDT: MSP1, MSP2, MSP3, MSP4, MSP5  
 DPDT: MDP1, MDP2, MDP3, MDP4, MDP5  
 (See Model options.)  
 Actuator: 1, 2, 3, 4, 5 (See Actuator options.)  
 Bushing Option: B1, B2, B3, B4, B5, B6, B7, B8  
 (See Bushing options.)

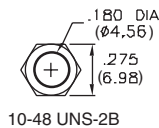
RoHS Compliant  
 Contact: R = Copper alloy, gold plate over nickel plate,  
 Q = Copper alloy over silver plate  
 Termination Options: M1, M2, M6, M7, V2, V3  
 (See Termination options.)

Available from your local Grayhill Component Distributor.

For prices and discounts, contact a local Sales Office, an authorized local Distributor or Grayhill.

**HARDWARE** in inches (and millimeters)

**NUT**

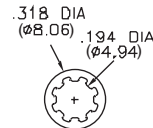


10-48 UNS-2B



HDW21

**LOCK WASHER**



THK  
(0.54) .021

HDW22