

SERIES 34A Miniature Toggle Switches

FEATURES

- Save Space and Weight
- SPDT, DPDT, 3PDT, and 4PDT Circuitry
- Choice of Actuators, Bushings and Terminations
- UL Recognized



MODELS In inches (and millimeters)

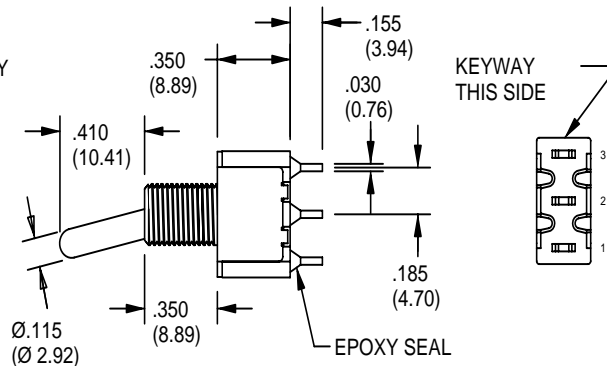
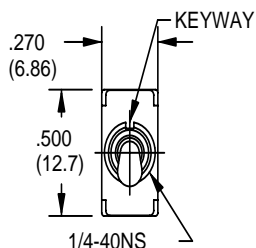
SPDT

MODEL NO.	SWITCH POSITION		
SP1	ON	NONE	ON
SP2	ON	NONE	(ON)
SP3	ON	OFF	ON
SP4	(ON)	OFF	(ON)
SP5	ON	OFF	(ON)
TERM. COMM.	2-3	OPEN	2-1

()=MOMENTARY

02COMM.

SCHEMATIC



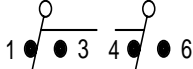
DPDT

MODEL NO.	SWITCH POSITION		
DP1	ON	NONE	ON
DP2	ON	NONE	(ON)
DP3	ON	OFF	ON
DP4	(ON)	OFF	(ON)
DP5	ON	OFF	(ON)
TERM. COMM.	2-3, 5-6	OPEN	2-1, 5-4

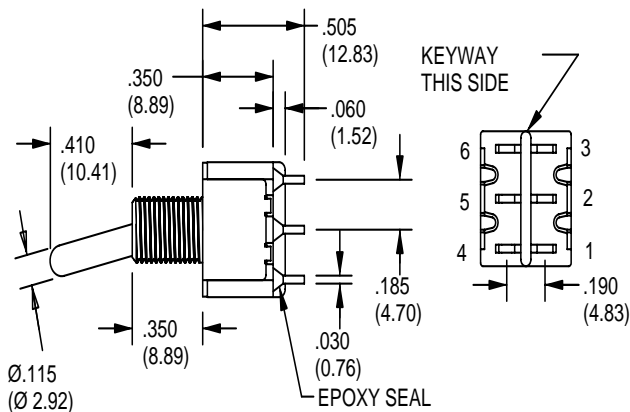
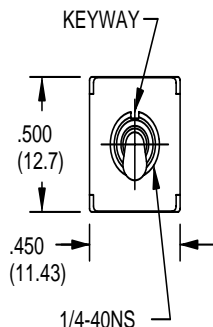
()=MOMENTARY

02COMM.

05COMM.



SCHEMATIC



3PDT

MODEL NO.	SWITCH POSITION		
3P1	ON	NONE	ON
3P2	ON	NONE	(ON)
3P3	ON	OFF	ON
3P4	(ON)	OFF	(ON)
3P5	ON	OFF	(ON)
TERM. COMM.	2-3,5-6 8-9	OPEN	2-1,5-4 8-7

()=MOMENTARY

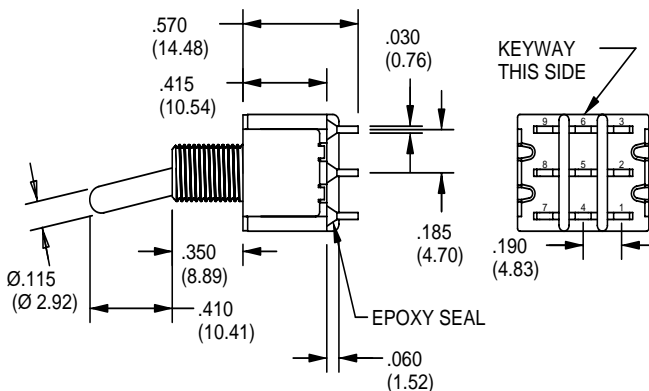
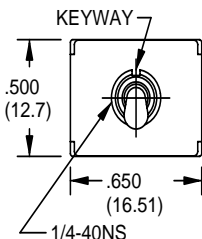
02COMM.

05COMM.

08COMM.



SCHEMATIC



MODELS In inches (and millimeters)

4PDT

MODEL NO.	SWITCH POSITION		
4P1	ON	NONE	ON
4P2	ON	NONE	(ON)
4P3	ON	OFF	ON
4P4	(ON)	OFF	(ON)
4P5	ON	OFF	(ON)
TERM. COMM.	2-3,5-6 8-9,11-12	OPEN	2-1,5-4 8-7,11-10

()=MOMENTARY

SCALE:1.5:1

KEYWAY THIS SIDE

02COMM. 05COMM. 08COMM. 011COMM.

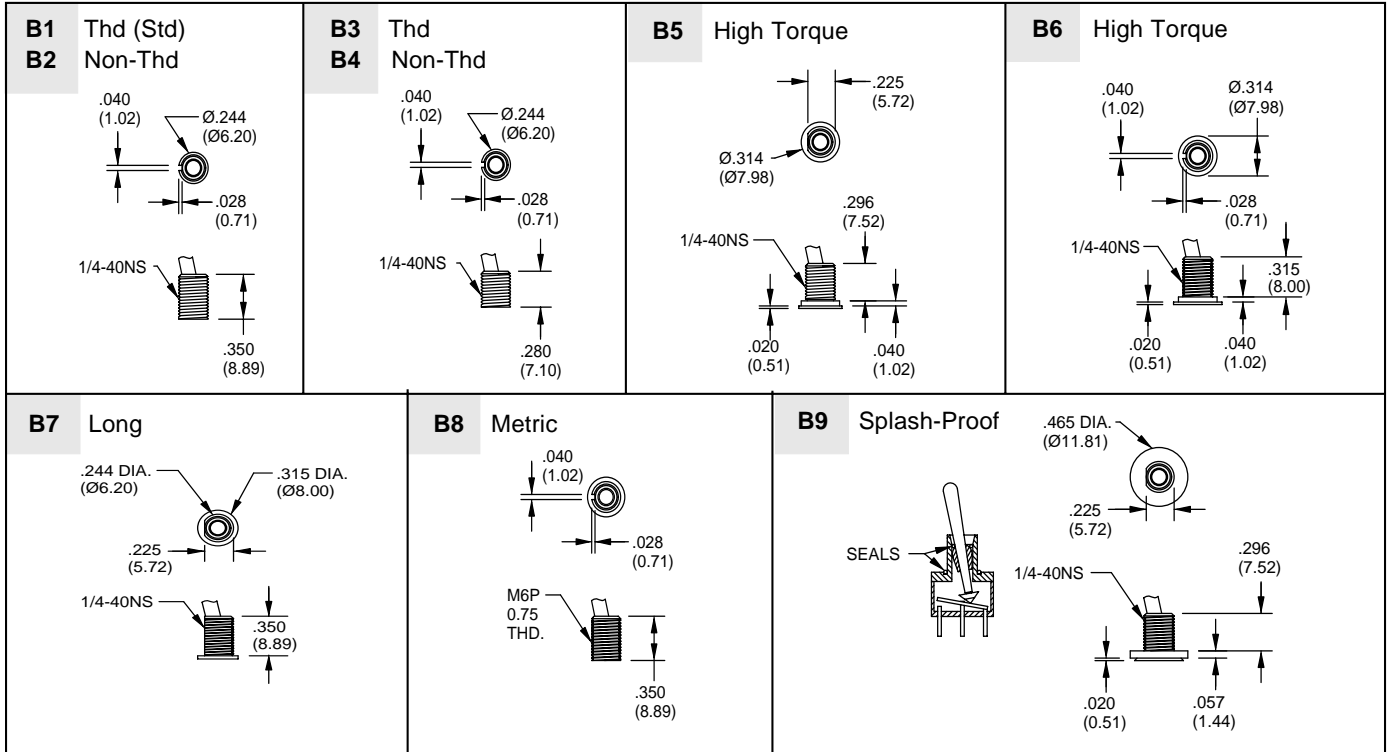
SCHMATIC

ACTUATOR OPTIONS In inches (and millimeters)

<p>1 Std</p>	<p>2</p>	<p>3</p>	<p>4</p>	<p>5</p>
<p>6</p> <p>With Bushing Options B1, B2, B5 only.</p>	<p>7</p> <p>For 7, 8 Bushing Option code not required. All other actuator lengths shown with Bushing Option B1.</p>	<p>8</p>	<p>9 Nylon Black</p>	<p>10</p>

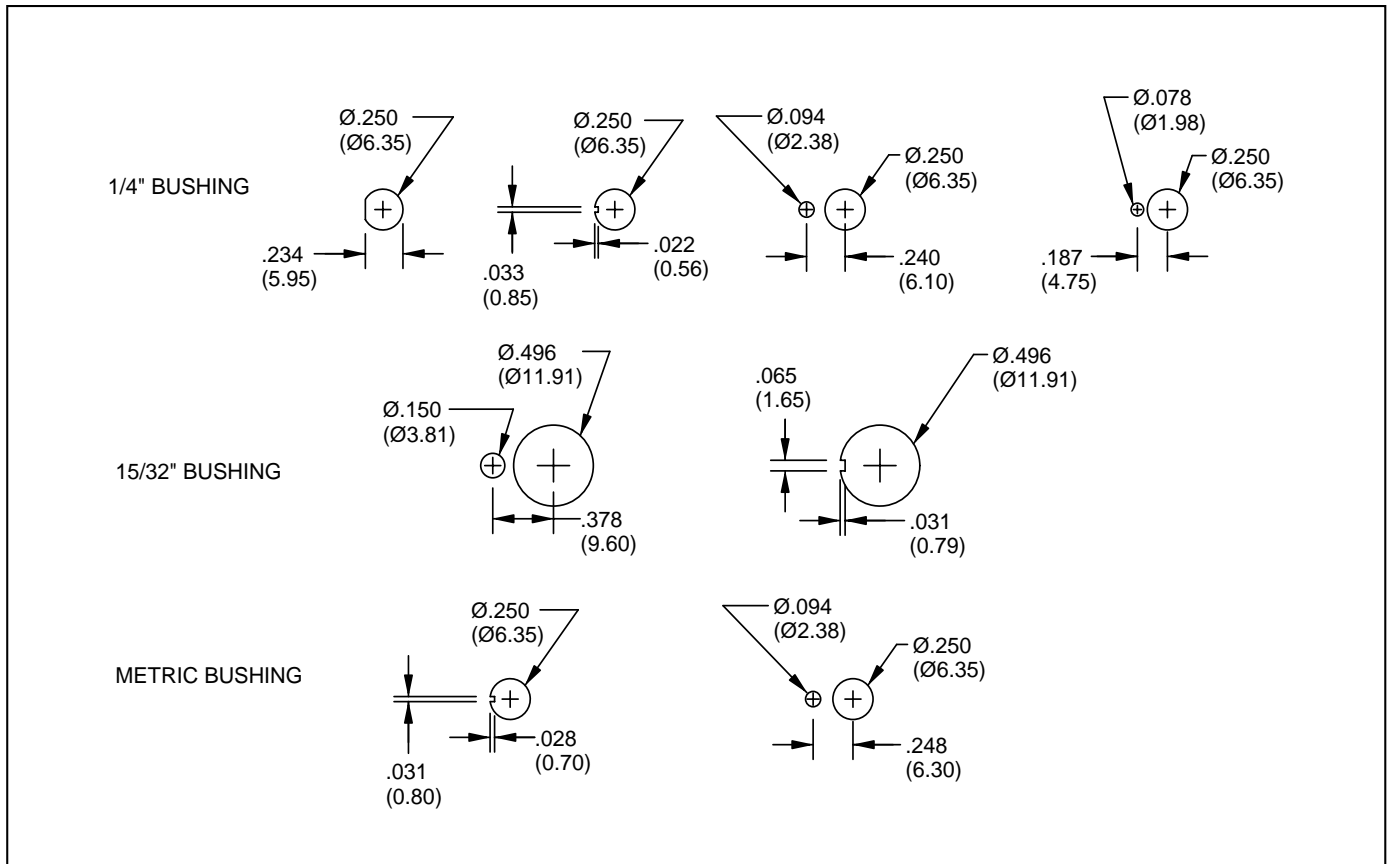
Actuators 1-5 shown with standard B1 bushing. Add .070 (1.78) for B3, subtract .020 (0.51) for B6 bushing.

BUSHING OPTIONS In inches (and millimeters)

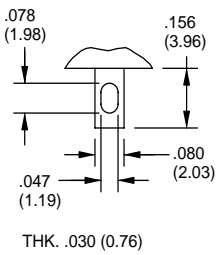
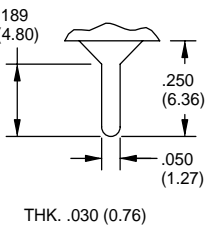
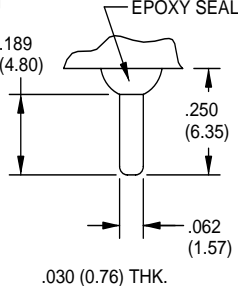
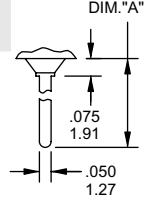
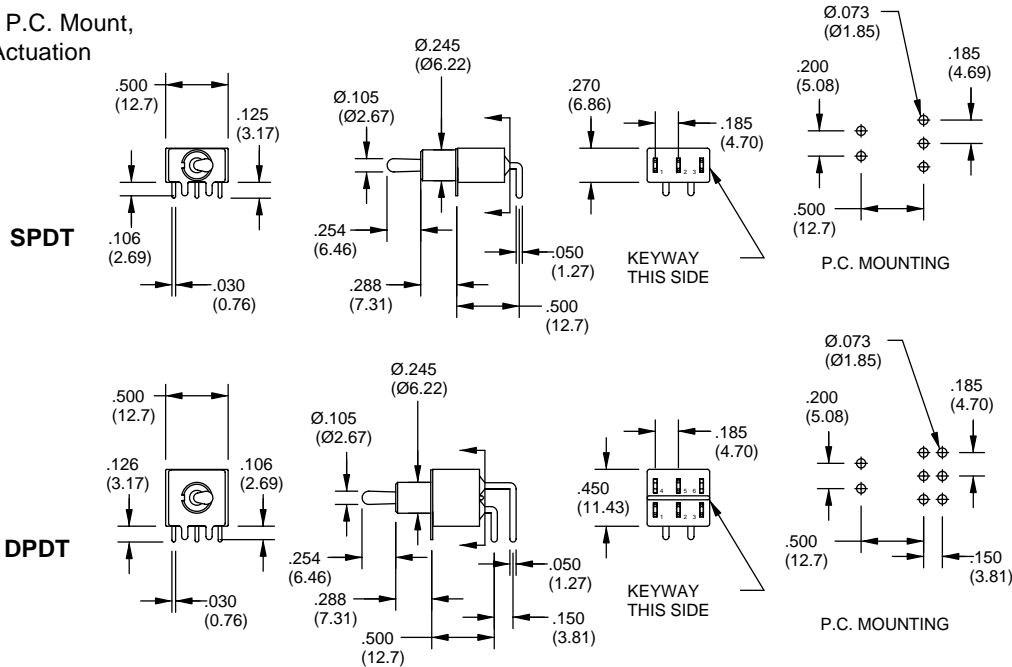
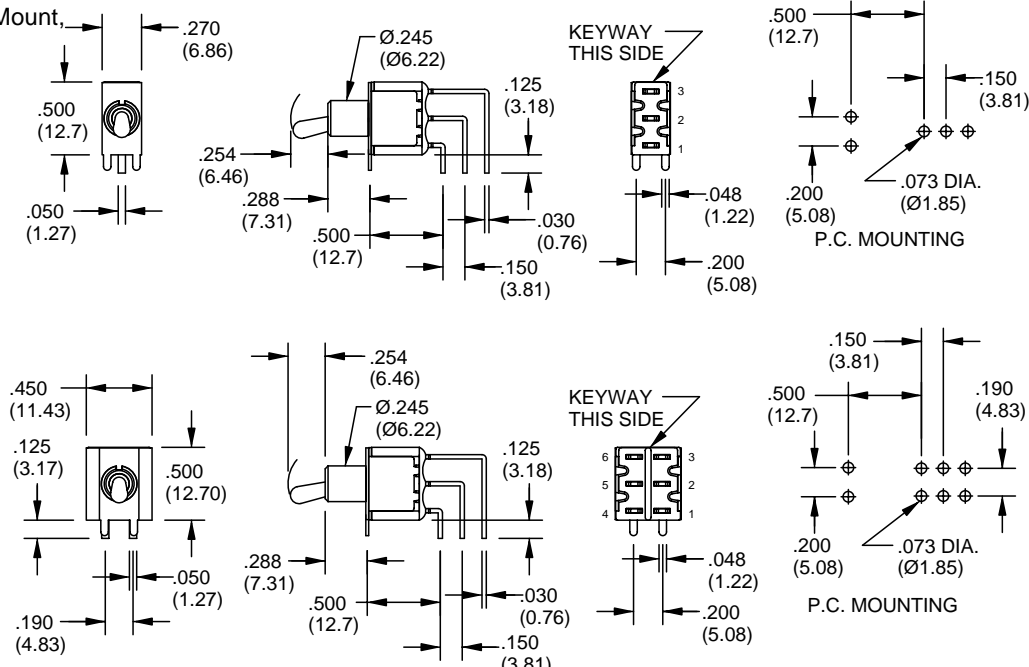


Toggle Switches

PANEL MOUNTING In inches (and millimeters)



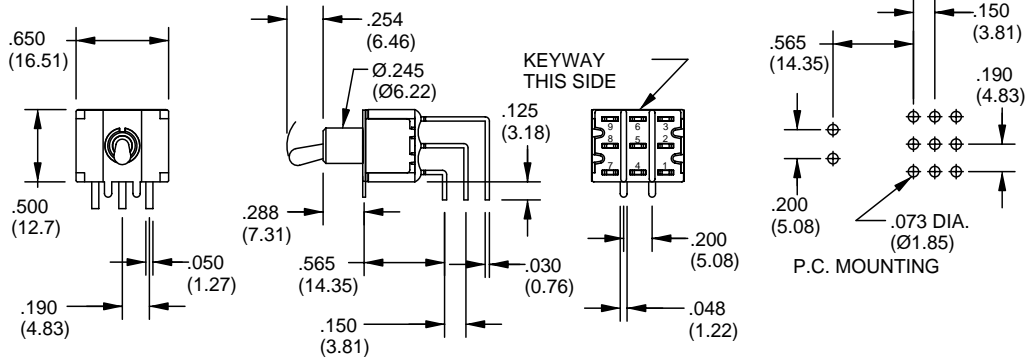
TERMINATION OPTIONS In inches (and millimeters)

<p>M1 Solder Lug (Std)</p>  <p>THK. .030 (0.76)</p>	<p>M2 P.C. Mount</p>  <p>THK. .030 (0.76)</p>	<p>M3 P.C. Mount, Quick Connect</p>  <p>.030 (0.76) THK.</p>	<p>WX</p>  <table border="1" data-bbox="1291 451 1437 556"> <thead> <tr> <th>OPTION CODE</th> <th>DIM. "A"</th> </tr> </thead> <tbody> <tr> <td>W1</td> <td>.750(19.05)</td> </tr> <tr> <td>W2</td> <td>.964(24.48)</td> </tr> <tr> <td>W3</td> <td>.425(10.80)</td> </tr> <tr> <td>W4</td> <td>1.062(26.97)</td> </tr> </tbody> </table> <p>WIRE WRAP</p>	OPTION CODE	DIM. "A"	W1	.750(19.05)	W2	.964(24.48)	W3	.425(10.80)	W4	1.062(26.97)
OPTION CODE	DIM. "A"												
W1	.750(19.05)												
W2	.964(24.48)												
W3	.425(10.80)												
W4	1.062(26.97)												
<p>M6 Right Angle P.C. Mount, Horizontal Actuation</p>  <p>SPDT</p> <p>DPDT</p> <p>KEYWAY THIS SIDE</p> <p>P.C. MOUNTING</p>													
<p>M7 Right Angle P.C. Mount, Vertical Actuation</p>  <p>SPDT</p> <p>DPDT</p> <p>KEYWAY THIS SIDE</p> <p>P.C. MOUNTING</p>													

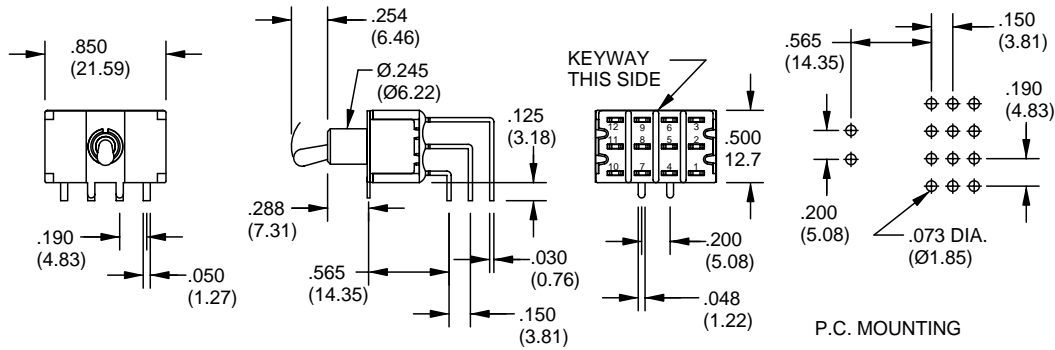
TERMINATION OPTIONS In inches (and millimeters)

M7 Right Angle P.C. Mount, Vertical Actuation

3PDT

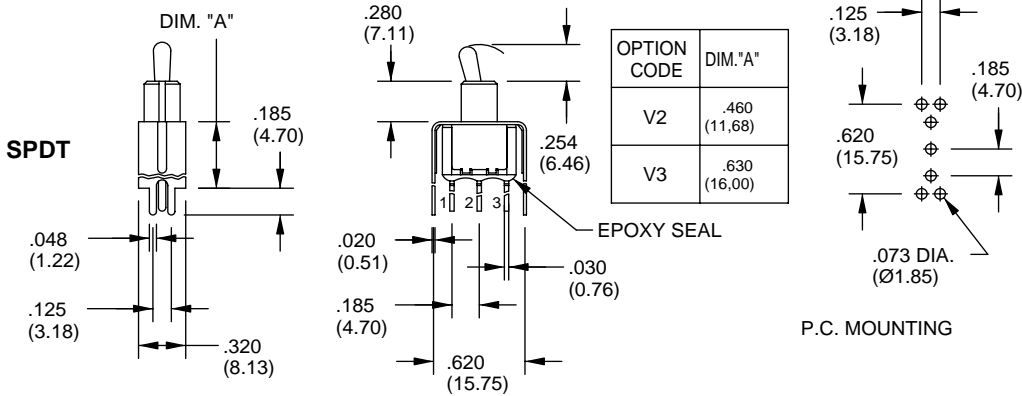


4PDT

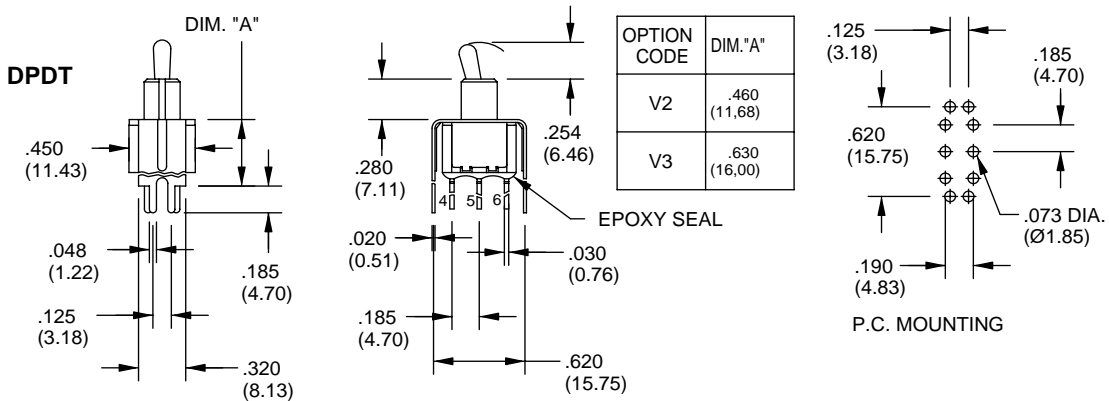


V2-V3 Vertical Bracket P.C. Mount

SPDT



DPDT



Toggle Switches

SPECIFICATIONS RATINGS

Contact Rating: Q option - 5A with resistive load @ 125VAC or 28 VDC; 2A with resistive load @ 250 VAC. R option-0.4 VA max @ 20 Vmax (AC or DC)
Electrical Life: 40,000 make-and-break cycles at full load

Contact Resistance: 10 milliohms max. initial @ 2-4 VDC, 100 mA
Insulation Resistance: 1,000 megaohms minimum
Dielectric Strength: 1,000 V RMS @ sea level
Operating Temperature: -30°C to 85°C

MATERIALS

Case: Diallyl phthalate (DAP) (UL94V-0)
Toggle Handle: Brass, chrome-plated
Bushing: Brass, nickle-plated
Housing: Stainless steel

ORDERING INFORMATION

SERIES	MODEL NO.	ACTUATOR	BUSHING	TERMINATION	CONTACT	SEAL
34A	SP1	2	B4	M2	R	E
34A = Miniature Toggle Switches	Options: SP1, SP2, SP3, SP4, SP5, DP1, DP2, DP3, DP4, DP5, 3P1, 3P2, 3P3, 3P4, 3P5, 4P1, 4P2, 4P3, 4P4, 4P5 (see models for switching positions)	Options: 1, 2, 3, 4, 5, 6, 7, 8, 9, 0 (see actuator options)	Options: B1, B2, B3, B4, B5, B6, B7, B8, B9 (see bushing options)	Options: M1, M2, M3, M6, M7, V2, V3 (see termination options)	R = Copper alloy, gold plate over nickel plate. Q = Copper alloy, Silver plated	E = Epoxy seal
Example Part Number: 34ASP12B4M2RE						
Available from your local Grayhill Component Distributor. For prices and discounts, contact a local Sales Office, an authorized local Distributor or Grayhill.						

Toggle Switches

HARDWARE In inches (and millimeters)

<p>NUTS</p> <div style="display: flex; justify-content: space-around;"> <div style="text-align: center;"> <p>Series 34A (Std)</p> </div> <div style="text-align: center;"> <p>Dress Nut</p> </div> <div style="text-align: center;"> <p>For Actuator Options 7, 8 (Std)</p> </div> <div style="text-align: center;"> <p>Knurled Nut (Sealed)</p> </div> </div>			
<p>LOCKING RINGS</p> <div style="display: flex; justify-content: space-around;"> <div style="text-align: center;"> <p>Series 34A (Std)</p> </div> <div style="text-align: center;"> <p>For Actuator Options 7, 8</p> </div> </div>		<p>LOCK WASHERS</p> <div style="display: flex; justify-content: space-around;"> <div style="text-align: center;"> <p>Series 34A (Std)</p> </div> <div style="text-align: center;"> <p>For Actuator Options 7, 8</p> </div> </div>	