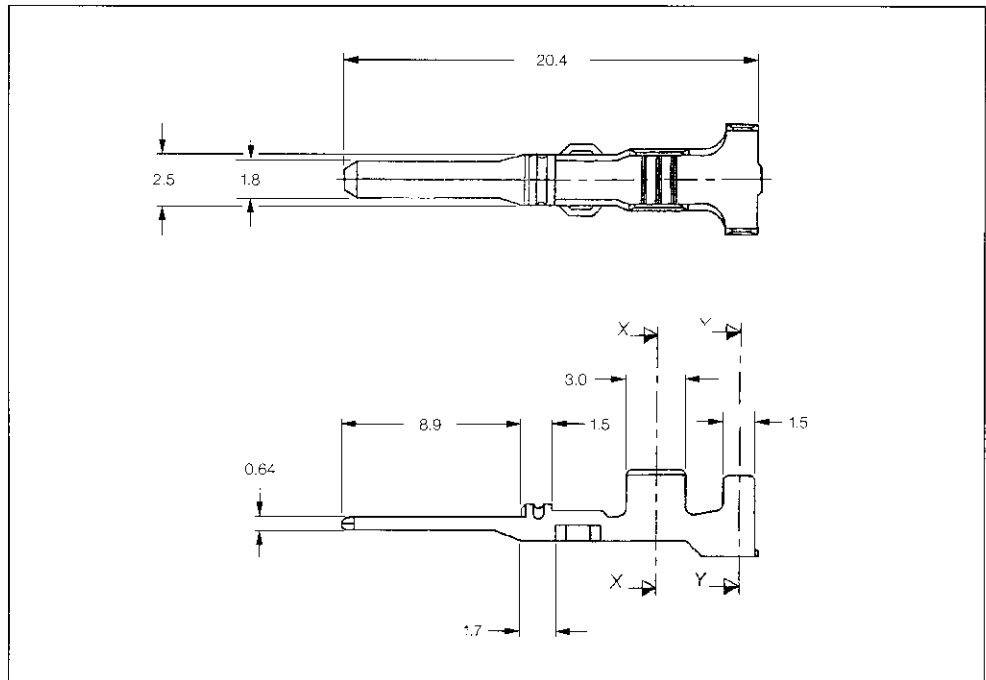


Tab Contacts / Single Wire Seals and Dead End Plugs

**Tab Contact,
Mates with
Receptacle Contacts
.070 Series**



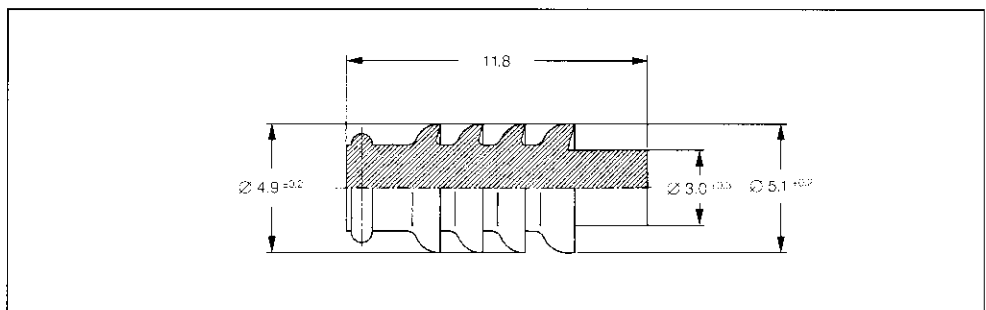
Tab Contacts

Wire Size Range	Insulation Diameter		Material and Finish	Part Numbers				Applicator**	Hand Tool
	FLK	FLR		Strip Form	Packaging Unit	Loose-Piece	Packaging Unit		
mm ² (AWG)	mm (Inch)	mm (Inch)							
0.5 (20)	1.6-1.8 (.062-.070)		Copper alloy, tin plated	345809-1	6,000	345951-1	2,000	-	525317-6*
0.75-1.00 (18-17)	1.85-2.10 (.073-.083)		Copper alloy, tin plated	345807-1	6,000	345148-1	2,000	-	525317-2*
1.5-2.0 (15-14)	2.3-2.7 (.091-.106)		Copper alloy, tin plated	345807-1	6,000	345148-1	2,000	-	525317-4*

*) Wire crimp form = F, Insulation crimp form = O, Other crimp forms see Product Specification.

***) Applicators are application specific, consult Tyco Electronics for details

Single Wire Seals and Dead End Plugs for Series .070 (1.8 mm)



Application Specification:
108-3069

Wire Size Range mm ² (AWG)	Insulation Diameter mm (Inch)	Color	Part Number	Packaging Unit
0.5-1.5 (20-15)	1.6-2.4 (.062-.095)	Black	345791-1	5,000
	Dead End Plug	Black	172748-1	1,000
2.0 (14)	2.4 min. - 2.7 max. (.095-.106)	Grey	172888-2	5,000
	Dead End Plug	Grey	172748-2	1,000