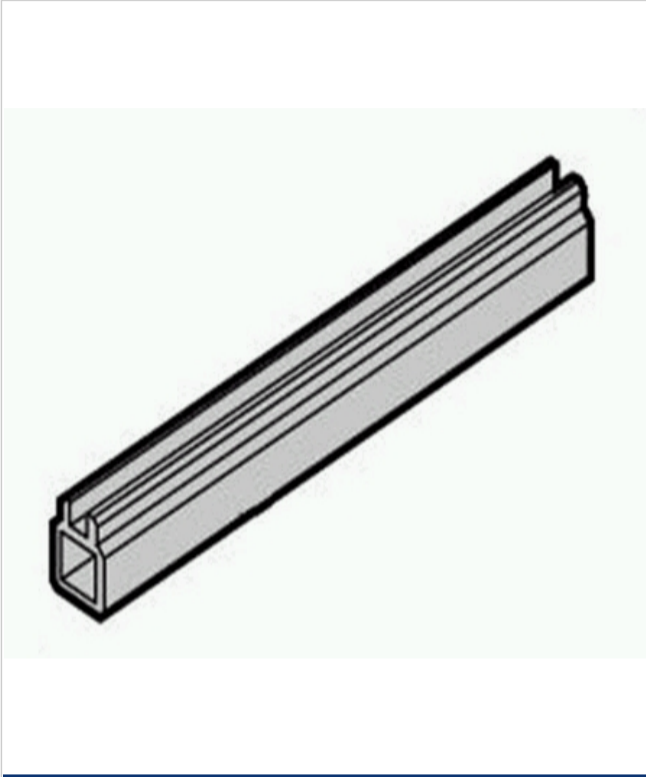




Home | Guide rails profile 1000 mm, plastic, groove width 2.0 mm



Schroff

Guide rails profile 1000 mm, plastic, groove width 2.0 mm

Catalog Number: 34564-900
Back To Product



Change Item >

CHANGING AN ITEM WILL UPDATE THE CATALOG NUMBER. THIS CAN AFFECT THE LIST PRICE AND SPECIFICATION OF THE ITEM.

Quantity

Add Item to Project List +

Other Views



Description

Downloads

Technical Data

Accessories

Downloads (1 - 1 of 1)

Links



Native CAD files

EXPLORE

- About Us
- Services & Capabilities
- News & Events
- Strategic Partnerships
- Investor Relations

CONTACT

- Customer Service
- Find a Sales Office or Distributor
- Global Locations
- Product Compliance & Certifications
- Partner Login

DOWNLOAD

- Literature
- White Papers & Case Studies
- Videos & Mobile Apps
- Product Configurators
- Warranties