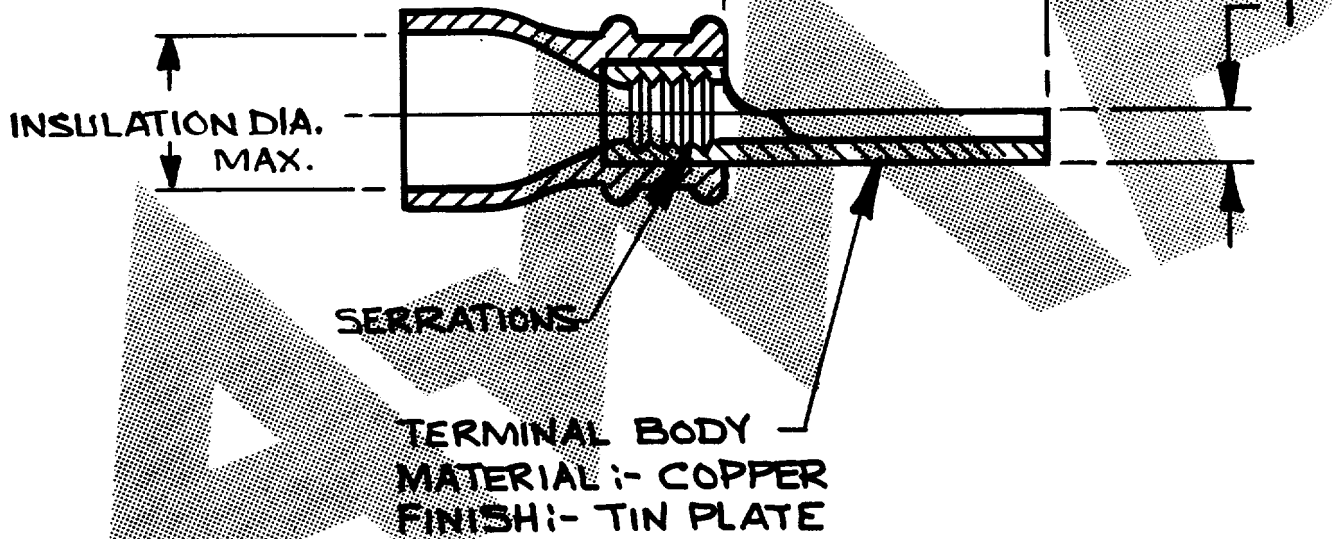
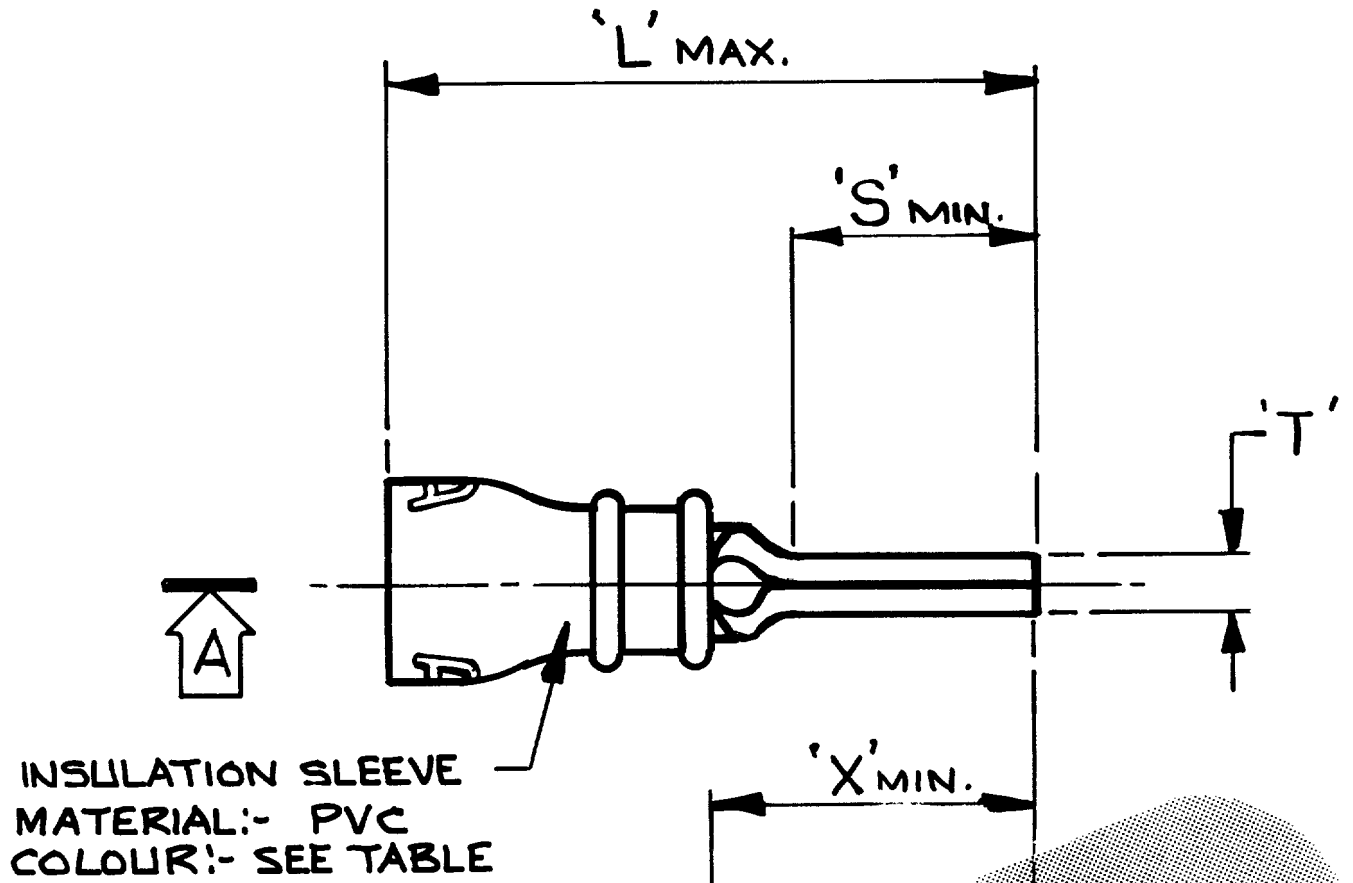


NUMBER
C342126

3rd ANGLE (AMERICAN) PROJECTION



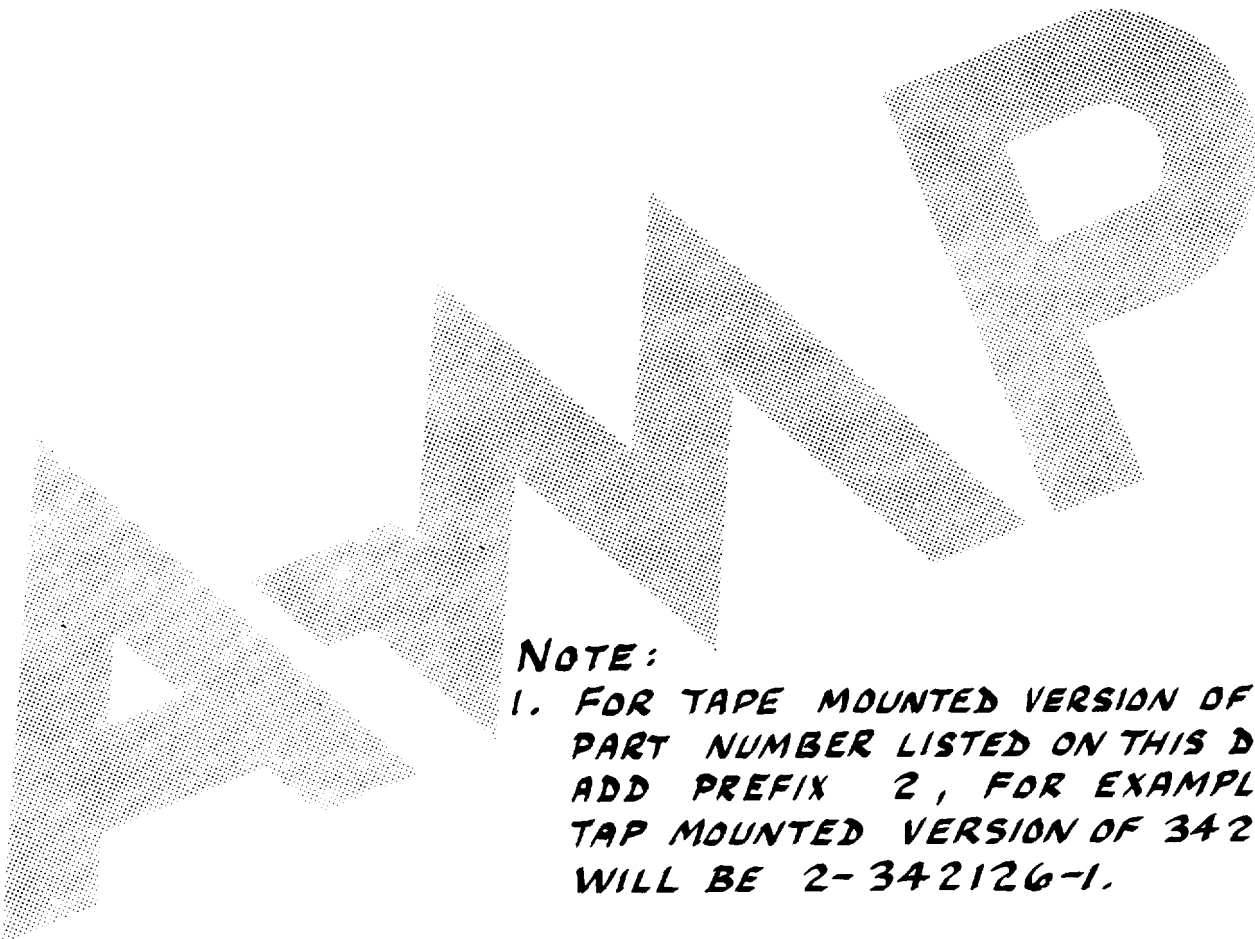
SECTION A-A

PRINT DIST.

METRIC

587 291
308
310

21



NOTE:

- FOR TAPE MOUNTED VERSION OF ANY PART NUMBER LISTED ON THIS DRAWING ADD PREFIX 2, FOR EXAMPLE; TAP MOUNTED VERSION OF 342126-1 WILL BE 2-342126-1.

342196-1	12-10	5.8	YELLOW	1,0	29,1	9,9	13,9	2,6	
342166-1	16-14	4,3	BLUE	0,8	19,7	6,7	7,7	1,8	
342126-1	22-16	3,6	RED	0,8	19,7	6,7	7,7	1,8	

PART NUMBER	WIRE RANGE	INSUL. DIA.	SLEEVE COLOUR	MAT. THK	'L' MAX.	'S' MIN.	'X' MIN.	'T' NOM.	REMARKS
-------------	------------	-------------	---------------	----------	----------	----------	----------	----------	---------

6	NOTE 1. ADDED	J.C.	70	5/3/82	© AMP of GREAT BRITAIN LTD 1981			CUSTOMER COPY REFERENCE ONLY	
5	342196-1 5.8 WAS 6.4	J.C.		3/2/81	MATERIAL AND FINISH			TERMINAL HOUSE, STANMORE, MIDDX.	
4	INSUL. DIA. S MODIFIED.	KS	fw	13/10/81	SEE DRG.			AMP of Great Britain Ltd.	
3	COMPANY SYMBOL MODIFIED	DM	-	23/9/81	CLASS			WIRE PIN	
2	LET 'A' TURNED THRO 90°	KS	-	4/9/81	WIRE - RANGE - INSULATION			TYPE	
1	FIRST ISSUE	-	-	-	SEE TABLE			PLASTI-GRIP	
ISS	REVISION RECORD	DR	CHK	DATE	TOLERANCE EXCEPT AS NOTED	SCALE	LOC	NO	
DR	K. STEVENS	12/3/81	DE		± 0.5	± 1° 0'	E	B	C 342126
CHK		APP			NAME				
PLASTI-GRIP PIN TERMINAL									