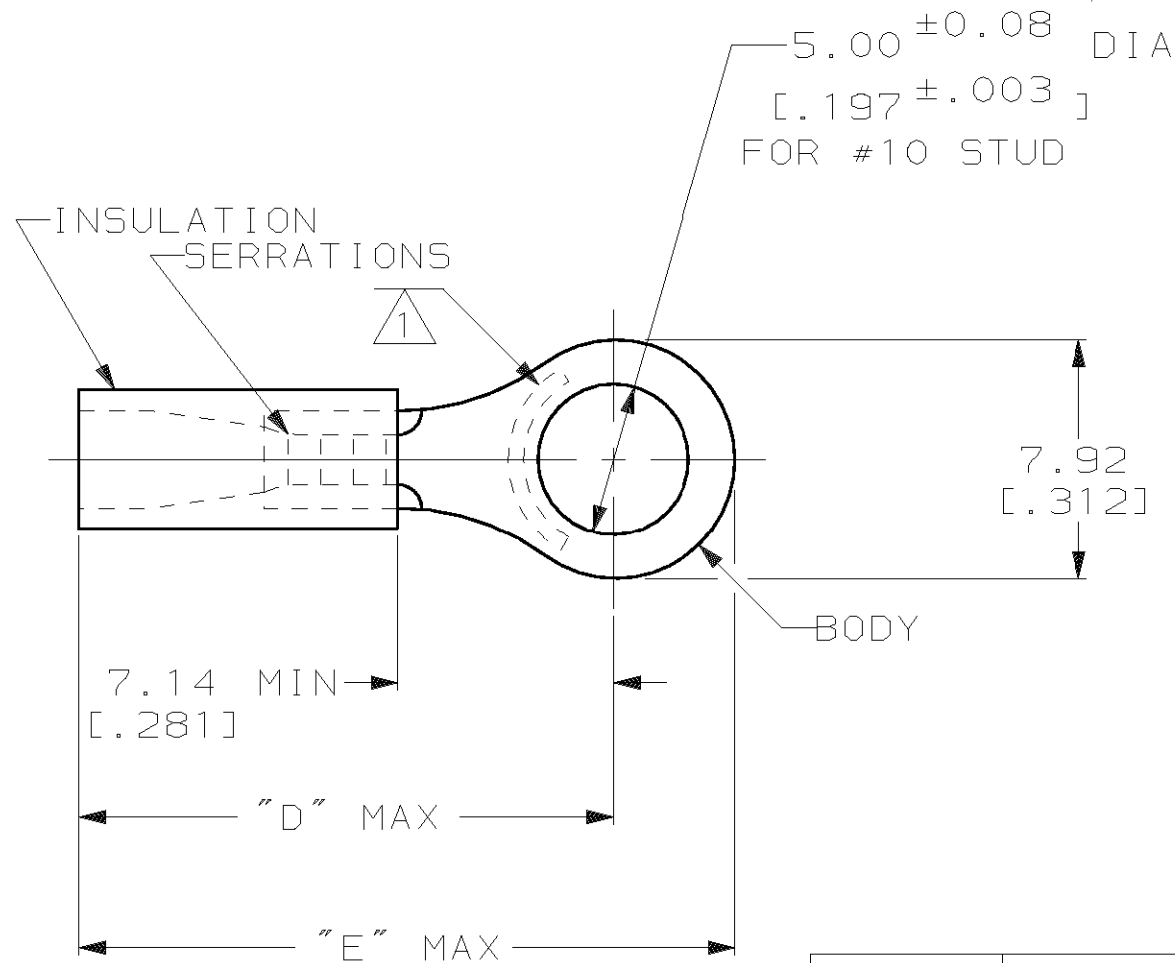


THIS DRAWING IS UNPUBLISHED. RELEASED FOR PUBLICATION, 19 .  
 © COPYRIGHT 19 BY AMP INCORPORATED. ALL INTERNATIONAL RIGHTS RESERVED.

LOC G	DIST 14	P	F	REVISIONS			DATE	APPD
				ZONE	LTR	DESCRIPTION		
					5	REV PER 0G3A-0322-99	15DEC99	JR/TM



<b>AMP</b> WIRE RANGE	<b>UL</b> Listed	<b>SR</b> LR7189 Certified
22-16 AWG SOLID OR STRANDED	22-16 AWG SOLID OR STRANDED	22-16 AWG SOLID OR STRANDED

- ① STAMP AMP 22-18\* 1-2 APPROX AS SHOWN  
22-16 TERMINALS ARE STAMPED 22-18 IN  
ACCORDANCE WITH MILITARY SPEC MIL-T-7928  
COMMERCIAL WIRE RANGE IS 22-16
- 2 TONGUE MATERIAL THK: 0.79<sup>±0.05</sup> [0.031<sup>±.002</sup>]
- ③ PRELIMINARY - NOT FOR PRODUCTION.

21.74 [0.856]	17.70 [0.697]	2.67-3.56 [0.105-.140]	100	LOOSE PC, BOX	③ 8-34149-1
21.74 [0.856]	17.70 [0.697]	2.67-3.56 [0.105-.140]	1500	ON TAPE, REEL	2-34149-7
22.99 [0.905]	18.95 [0.746]	2.67-5.08 [0.105-.200]	5000	ON TAPE, REEL	2-34149-3
21.74 [0.856]	17.70 [0.697]	2.67-3.56 [0.105-.140]	5000	ON TAPE, REEL	2-34149-1
			1000	LOOSE PIECE	34149
"E"	"D"	WIRE INSULATION DIA	QTY	PACKAGE TYPE	PART NUMBER

**AMP INCORPORATED  
CUSTOMER SERVICE SYSTEMS**

MAX RECOMMENDED OPERATING TEMPERATURE:

90°C [194°F]

VOLTAGE RATING:  
600V MAX  
1000V (FIXTURE OR SIGNS)

CIRCULAR MIL AREA:  
0.26-1.65mm<sup>2</sup> [509-3,260]

THIS DRAWING IS A CONTROLLED DOCUMENT FOR AMP INCORPORATED. IT IS SUBJECT TO CHANGE AND THE CONTROLLING ENGINEERING ORGANIZATION SHOULD BE CONTACTED FOR THE LATEST REVISION.

DO NOT SCALE PRINT.  
UNLESS SPECIFIED  
DIMENSIONS IN mm [INCHES]  
TOLERANCES ON:  
2 PLC DEC ± 0.20[0.008]  
3 PLC DEC ± -  
ANGLES ± -

MATERIAL  
COPPER PER ASTM B-152  
PVC COLOR: RED

FINISH  
TIN PLATE  
PER ASTM B 545

DR 08/06/92  
DK SCHRUM  
CHK 11/10/92  
RE HERSEY  
APPD 11/10/92  
ML ELLIS  
APPD 11/10/92  
M BARNABA

PRODUCT SPEC  
UL 486A

APPLICATION SPEC  
-  
WEIGHT -



AMP Incorporated  
Harrisburg, PA 17105-3608

NAME  
TERMINAL, RING TONGUE, PLASTI-GRIP™  
WIRE SIZE, 22-16 AWG

SIZE B	CAGE CODE 00779	DRAWING NO C-34149
SCALE 4:1	SHEET 1 OF 1	