

3400 Series

Tubeaxial

92x92x25mm



- DC fans with electronically commutated external rotor motor. Fully integrated commutation electronics.

- With electronic protection against reverse polarity, blocking and overloading; partially impedance protected.

- Mounting from either face using four 4.3 mm holes.

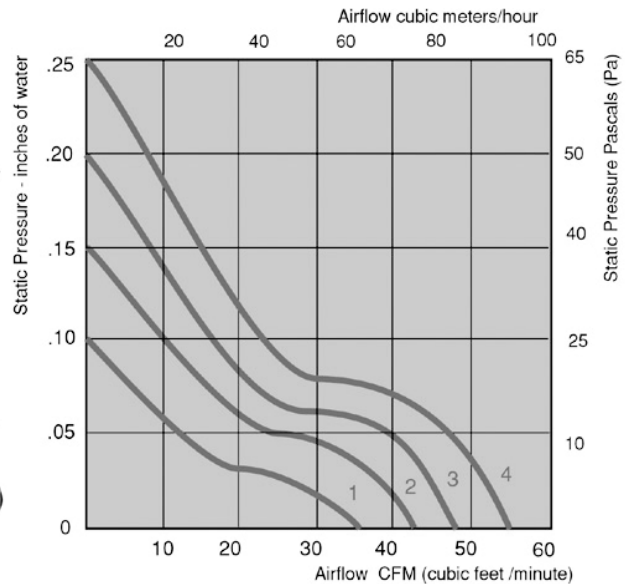
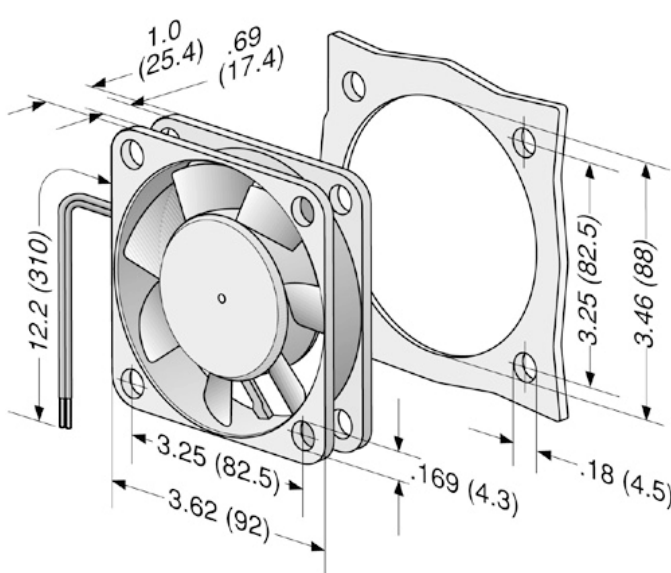
- Fan of fiberglass reinforced plastic. PBTP housing, PA impeller.

- Air exhaust over struts. Rotational direction CCW looking at rotor.

- Electrical connection via 2 leads AWG 24, TR 64. Stripped and tinned ends.

- UL, CSA, VDE approvals on some models, please contact application engineering.

Part Number	CFM Curve @ 0	Volts	Voltage Range	Power (W)	dBa	Max Ambient Temp C	Wgt. (lbs)	Type Of Bearing	Features
3412GL	36	1	12	7 to 15	1.3	26	75	Sleeve	Leads
3412L	36	1	12	7 to 15	1.3	27	75	Ball	Leads
3412GM	42	2	12	7 to 15	1.8	32	75	Sleeve	Leads
3412M	42	2	12	7 to 15	1.8	32	75	Ball	Leads
3412/2	49	3	12	7 to 15	2.4	36	75	Ball	Leads
3412G	49	3	12	7 to 15	2.4	36	75	Sleeve	Leads
3412	49	3	12	7 to 15	2.4	36	75	Ball	Leads
3412GH	55	4	12	7 to 15	3.4	39	75	Sleeve	Leads
<hr/>									
3414GL	36	1	24	12 to 28	1.4	26	75	Sleeve	Leads
3414L	36	1	24	12 to 28	1.4	27	75	Ball	Leads
3414GM	42	2	24	12 to 28	1.8	32	75	Sleeve	Leads
3414M	42	2	24	12 to 28	1.8	32	75	Ball	Leads



3400 Series

Tubeaxial

92x92x25mm



- DC fans with electronically commutated external rotor motor. Fully integrated commutation electronics.

- With electronic protection against reverse polarity, blocking and overloading; partially impedance protected.

- Mounting from either face using four 4.3 mm holes.

- Fan of fiberglass reinforced plastic. PBTP housing, PA impeller.

- Air exhaust over struts. Rotational direction CCW looking at rotor.

- Electrical connection via 2 leads AWG 24, TR 64. Stripped and tinned ends.

- UL, CSA, VDE approvals on some models, please contact application engineering.

Part Number	CFM @ 0	Curve	Volts	Voltage Range	Power (W)	dBA	Max Ambient Temp C	Wgt. (lbs)	Type Of Bearing	Features
3414/12	49	3	24	12 to 28	2.6	36	75	0.31	Ball	Leads
3414	49	3	24	12 to 28	2.6	36	75	0.31	Ball	Leads
3414/2	49	3	24	12 to 28	2.6	36	75	0.31	Ball	Leads
3414G	49	3	24	12 to 28	2.4	36	75	0.31	Sleeve	Leads
3414H	55	4	24	12 to 28	3.8	39	75	0.31	Ball	Leads

