

3/8" ROUND / SINGLE-TURN / CERMET INDUSTRIAL / OPEN FRAME

- Adjustable from front and rear, or top and bottom
- Carbon tip wiper for long life
- Durable metal construction

BOURNS

Model 3359/VA05*
B® Trimming Potentiometer

OBSOLETE

Electrical Characteristics

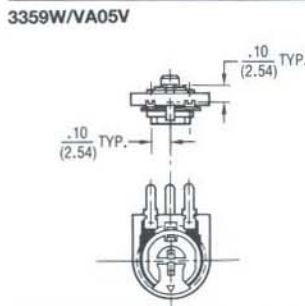
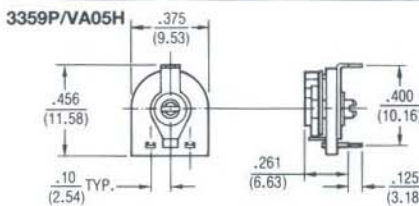
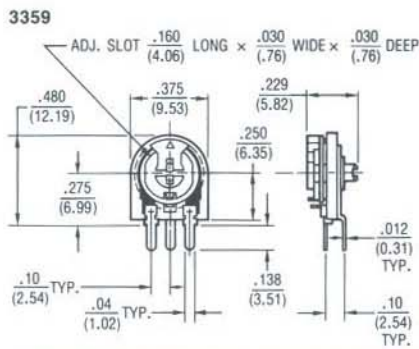
Standard Resistance Range 100 to 2 megohms
(see standard resistance table)
Resistance Tolerance ±20% std.
Absolute Minimum Resistance 1.0% or 2 ohms max.
(whichever is greater)
Contact Resistance Variation 2.0% or 3 ohms max.
(whichever is greater)
Resolution Infinite
Adjustment Angle 250° nom.

Environmental Characteristics

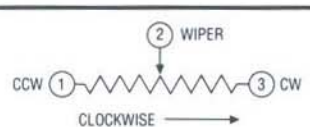
Power Rating (250 volts max.)
70°C 0.5 watt
125°C 0 watt
Temperature Range -65°C to +125°C
Temperature Coefficient
100 ohms to 1K ohms ±300ppm/°C
2K ohms to 2 megohms +150/-50ppm/°C
Humidity MIL-STD-202 Method 103
504 hours (2% ΔTR)
Vibration 30G (2% ΔTR; 2% ΔVR)
Shock 100G (2% ΔTR; 2% ΔVR)
Load Life 1,000 hours 0.5 watt @ 70°C
(2% ΔTR)
Rotational Life 500 cycles
(10% ΔTR)

Physical Characteristics

Mechanical Angle 270° nom.
Torque 6.0 oz-in. max.
1.5 oz-in. min.
Stop Strength 12 oz-in. min.
Terminals Solderable pins
Weight 0.04 oz.
Marking Manufacturer's trademark, resistance code, and model number.
Standard Packaging .. 40 pcs. per tube



TOLERANCES: ± .010 (0.25) EXCEPT WHERE NOTED
DIMENSIONS IN (MM)



STANDARD RESISTANCE TABLE

Resistance (Ohms)	Resistance Code
100	101
200	201
500	501
1,000	102
2,000	202
5,000	502
10,000	103
20,000	203
50,000	503
100,000	104
200,000	204
500,000	504
1,000,000	105
2,000,000	205

HOW TO ORDER

3359 P - 1 - 103

Model _____
3359 Standard
VA05 Europe
Style _____
Standard or Modified _____
Product Indicator
-1 = Standard Product
-10 = 10% Resistance Tolerance
Resistance Code _____

Consult factory for other available options.

OBSOLETE