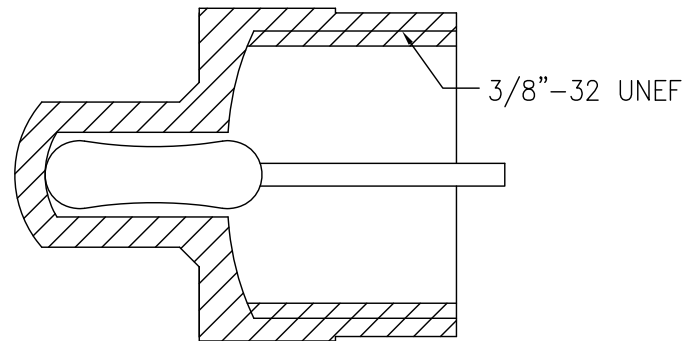
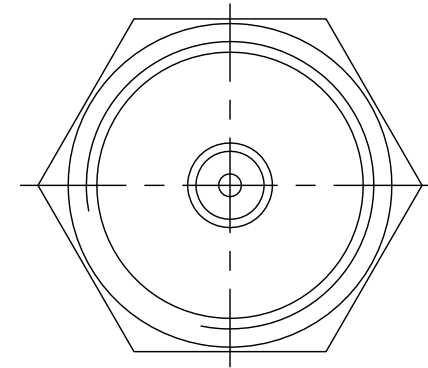
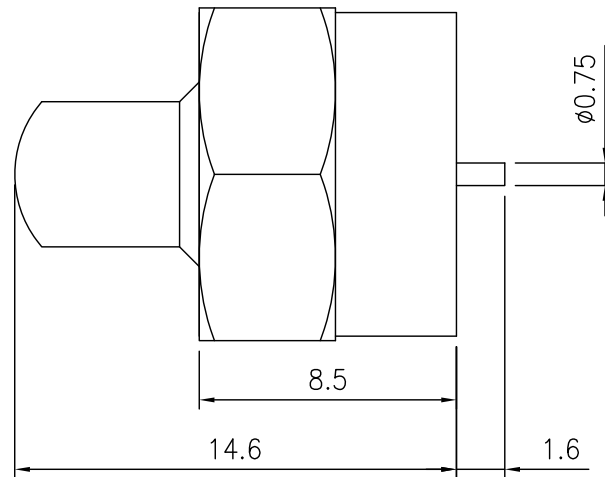
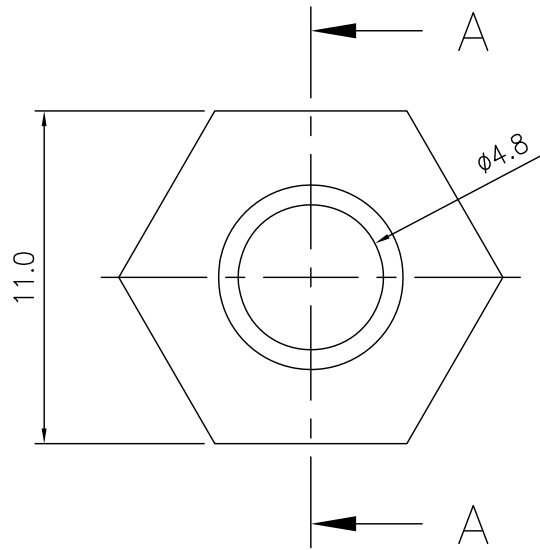


MCM

FILE NO.

33-550

www.mcmelectronics.com



SPECIFICATION:

1. Body: Zinc alloy, Nickel plated.
2. Resistance: 75 ohm

SECTION A-A

DIMENSIONS ARE IN mm [INCH]		TOLERANCES ARE FRACTIONS DECIMALS ANGLES		MATERIAL		P/N	
MOLD NO.		.X ± 0.20 [0.008]		FINISH		PROJECT NO.	
		.XX ± 0.12 [0.005]		COLOR		SCALE 4:1 SIZE A4 SHEET 1 OF 1	
750hm F Type Terminator							