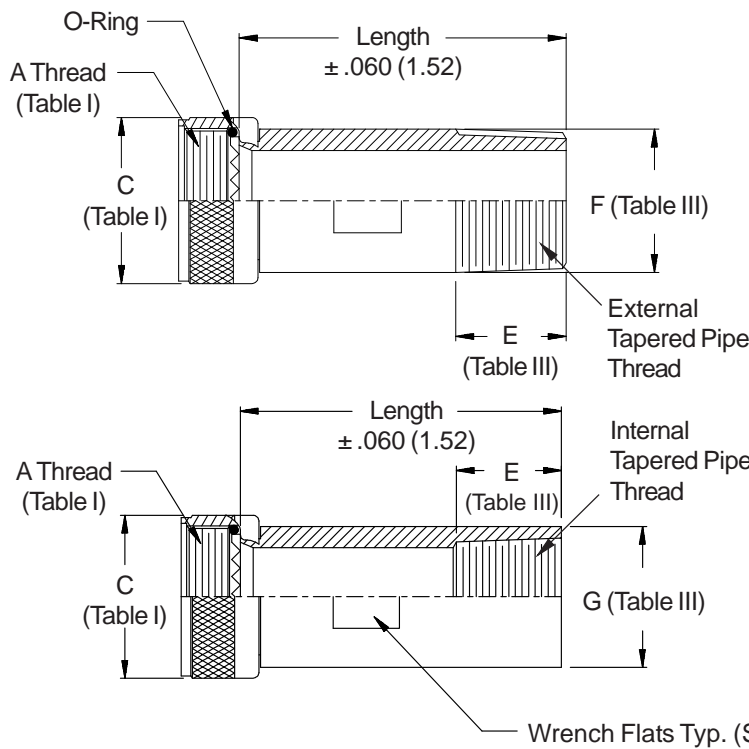
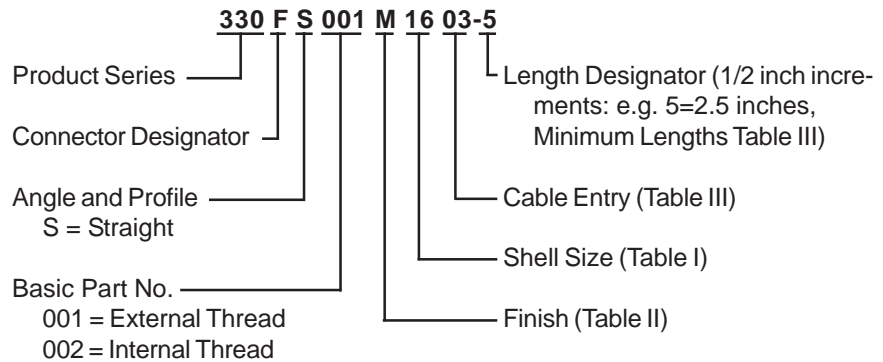


## CONNECTOR DESIGNATORS A-F-H-L-S ROTATABLE COUPLING



GLENAIR SYMBOL	FINISH
B	Cadmium Plate, Olive Drab
C	Anodize, Black
G	Hard Coat, Anodic
M	Electroless Nickel
NF	Cadmium Plate, Olive Drab Over Electroless Nickel

See Back Cover for Complete Finish Information and Additional Finish Options

See inside back cover fold-out or pages 13 and 14 for unabridged Tables I and II.

**-445** Now Available with the "NESTOR"

Add "-445" to Specify Glenair's Non-Detent, Spring-Loaded, Self-Locking Coupling. See Page 41 for Details.

Dash No.	Pipe Thread	E	F Dia	G Dia	Length	
					Min	Desig.
01	1/8	.391 (9.9)	.405 (10.3)	.500 (12.7)	1.5 (38.1)	3
02	1/4	.593 (15.1)	.540 (13.7)	.625 (15.9)	1.5 (38.1)	3
03	3/8	.593 (15.1)	.675 (17.1)	.875 (22.2)	1.5 (38.1)	3
04	1/2	.781 (19.8)	.840 (21.3)	1.000 (25.4)	2.0 (50.8)	4
05	3/4	.812 (20.6)	1.050 (26.7)	1.250 (31.8)	2.0 (50.8)	4
06	1	1.000 (25.4)	1.315 (33.4)	1.500 (38.1)	2.0 (50.8)	4
07	1 1/4	1.031 (26.2)	1.660 (42.2)	1.750 (44.5)	2.5 (63.5)	5
08	1 1/2	1.031 (26.2)	1.900 (48.3)	2.125 (54.0)	2.5 (63.5)	5
09	2	1.062 (27.0)	2.375 (60.3)	2.500 (63.5)	2.5 (63.5)	5
10	2 1/2	1.453 (36.9)	2.875 (73.0)	3.250 (82.6)	2.5 (63.5)	5

1. Pipe threads per American standard taper pipe thread.
2. Metric dimensions (mm) are indicated in parentheses.
3. O-Ring not supplied with Connector Designator A.