

TopTherm wall-mounted cooling units, horizontal format



Accessories for climate control Page 454 Therm software Page 474

Temperature control:

- Basic controller (factory setting +35°C)

Colour:

- RAL 7035

Protection category IP to IEC 60 529:

- External circuit IP 34
- Internal circuit IP 54

Supply includes:

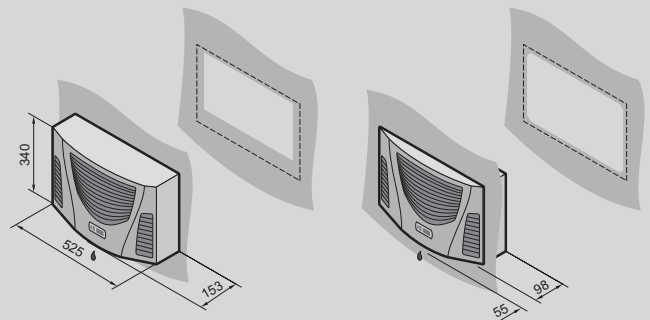
- Nano-coated condenser
- Fully wired ready for connection (plug-in terminal strip)
- Drilling template
- Assembly parts

Approvals:

Available on the Internet

Performance diagrams:

Available on the Internet



Output class 300 W

Model No.	Packs of	3302.300	3302.310	Page
Material	Sheet steel	■	■	
Total cooling output 50 Hz L35 L35 to DIN EN 14511 kW		0.36	-	
Total cooling output 50/60 Hz L35 L35 kW		0.36 / 0.38	0.38	
Total cooling output 50/60 Hz L35 L50 kW		0.21 / 0.22	0.23	
Rated operating voltage V, ~, Hz		230, 1~, 50/60	115, 1~, 60	
Width mm		525	525	
Height mm		340	340	
Depth mm		153	153	
Rated current max. A		1.6 / 1.7	4	
Start-up current A		4.3 / 5.3	12	
Pre-fuse A		10	10	
Power consumption P _{el} 50/60 Hz L35 L35 kW		0.27 / 0.29	0.32	
Power consumption P _{el} 50/60 Hz L35 L50 kW		0.31 / 0.33	0.37	
Operating temperature range		+10°C...+55°C	+10°C...+55°C	
Setting range		+30°C...+55°C	+30°C...+55°C	
Energy efficiency ratio (EER) 50 Hz L35 L35 to DIN EN 14511		1.3	1.18	
Refrigerant g		R134a, 100	R134a, 95	
Permissible operating pressure (p. max.) bar		25	25	
Air throughput of fans (unimpeded air flow), internal circuit/external circuit m ³ /h		310 / 310	300 / 300	
Weight kg		13.0	13.0	
Accessories				
Filter mats	3 pc(s).	3286.110	3286.110	454
Metal filters	1 pc(s).	3286.120	3286.120	455
Door-operated switch	1 pc(s).	4127.010	4127.010	755
Condensate hose	1 pc(s).	3301.608	3301.608	464

TopTherm wall-mounted cooling units



Accessories for climate control Page 454 Therm software Page 474

Temperature control:

- Basic controller (factory setting +35°C)

Protection category IP to IEC 60 529:

- External circuit IP 34
- Internal circuit IP 54

Supply includes:

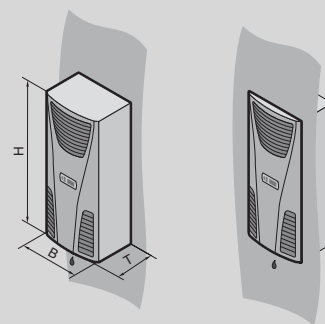
- Nano-coated condenser
- Fully wired ready for connection (plug-in terminal strip)
- Drilling template
- Assembly parts

Approvals:

Available on the Internet

Performance diagrams:

Available on the Internet



Output class 300 W

Model No.	Packs of	3302.100	3302.110	3302.200	Page
Material	Sheet steel	■	■	-	
	Stainless steel	-	-	■	
Colour	RAL 7035	■	■	-	
Total cooling output 50 Hz L35 L35 to DIN EN 14511 kW		0.36	-	0.36	
Total cooling output 50/60 Hz L35 L35 kW		0.36 / 0.38	0.38	0.36 / 0.38	
Total cooling output 50/60 Hz L35 L50 kW		0.21 / 0.23	0.23	0.21 / 0.23	
Rated operating voltage V, ~, Hz		230, 1~, 50/60	115, 1~, 60	230, 1~, 50/60	
Width (B) mm		280	280	280	
Height (H) mm		550	550	550	
Depth (T) mm		140	140	140	
Rated current max. A		1.6 / 1.7	3.3	1.6 / 1.7	
Start-up current A		3 / 3.4	8	3 / 3.4	
Pre-fuse A		10	10	10	
Power consumption P _{el} 50/60 Hz L35 L35 kW		0.27 / 0.28	0.32	0.27 / 0.28	
Power consumption P _{el} 50/60 Hz L35 L50 kW		0.28 / 0.3	0.37	0.28 / 0.3	
Operating temperature range		+10°C...+55°C	+10°C...+55°C	+10°C...+55°C	
Setting range		+30°C...+55°C	+30°C...+55°C	+30°C...+55°C	
Energy efficiency ratio (EER) 50 Hz L35 L35 to DIN EN 14511		1.3	1.18	1.3	
Refrigerant g		R134a, 100	R134a, 100	R134a, 100	
Permissible operating pressure (p. max.) bar		25	25	25	
Air throughput of fans (unimpeded air flow), internal circuit/external circuit m ³ /h		345 / 310	345 / 310	345 / 310	
Weight kg		13.0	13.0	13.0	
Accessories					
Filter mats	3 pc(s).	3286.300	3286.300	3286.300	454
Metal filters	1 pc(s).	3286.310	3286.310	3286.310	455
Door-operated switch	1 pc(s).	4127.010	4127.010	4127.010	755
Condensate hose	1 pc(s).	3301.608	3301.608	3301.608	464