

CATALOG LISTING
32NT391 SERIES CHART 1

PAGE 1 OF 1

ISSUE 10

REVISIONS

A	CO-94361	DCS	23 NOV 99
B	204250	TSM	5 NOV 01
C	207607	C S L	10 MAR 03
D	0100323	RKA	09 MAY 13

REPLACES -

RELEASE NO. PR-20912

CHECK

09 MAY 13

CMH

CHECK

26 APR 94

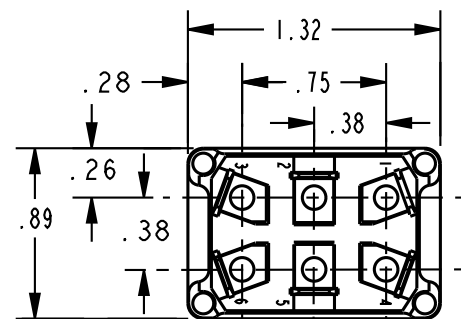
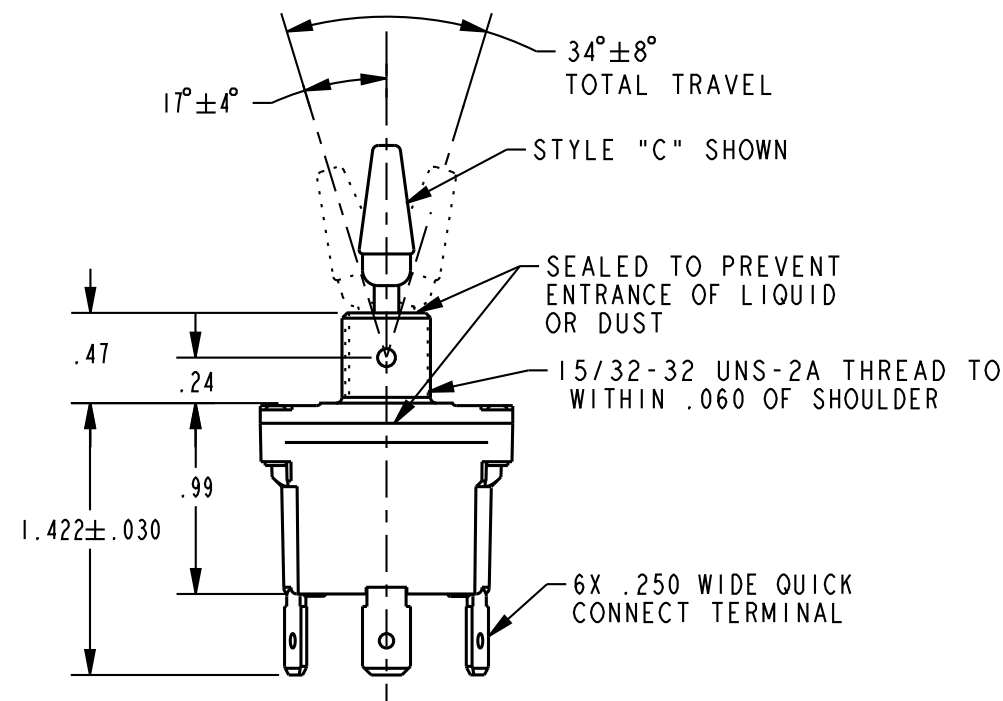
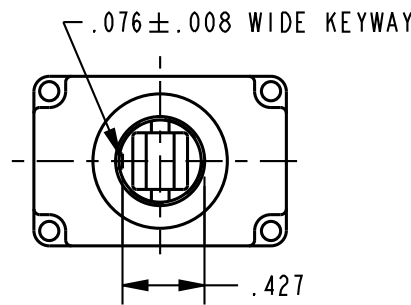
CMH

CHECK

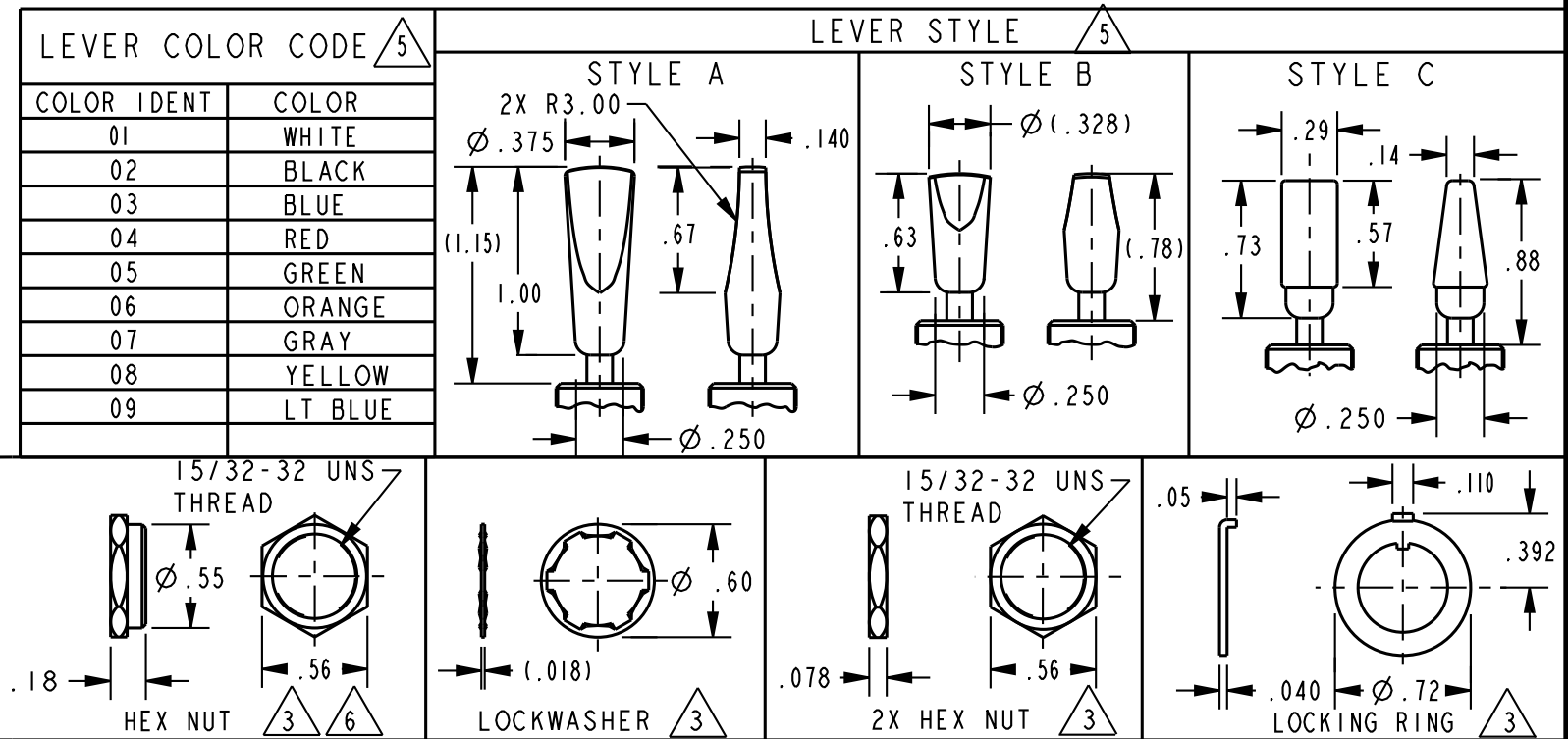
20 APR 94

DRAWN

PTC/CAD 2D



CATALOG LISTING ⁵	CIRCUIT MADE WITH TOGGLE LEVER IN ⁴			ELECTRICAL DATA
	KEYWAY SIDE (1-2, 4-5)	CENTER (1-2, 4-5)	OPPOSITE KEYWAY (2-3, 5-6)	
32NT391-1	ON	OFF	ON	L191 15A 125, 250, 277 VAC 1/2HP 125 VAC 1HP 250, 277 VAC 5A 125 VAC "L"
32NT391-2	OFF	NONE	ON	
32NT391-3	ON	NONE	ON	
32NT391-21	NONE	OFF	ON	
32NT391-31	NONE	ON	ON	
32NT391-4	MOM OFF	NONE	ON	
32NT391-5	MOM ON	OFF	ON	L192 10A 125, 250, 277 VAC 1/4HP 125 VAC 1/2HP 250, 277 VAC 3A 125 VAC "L"
32NT391-6	MOM ON	NONE	OFF	
32NT391-7	MOM ON	OFF	MOM ON	
32NT391-8	MON ON	NONE	ON	
32NT391-51	NONE	ON	MOM ON	
32NT391-61	MOM ON	OFF	NONE	



NOTES

- SWITCHES ARE CAPABLE OF WITHSTANDING A TEMPERATURE OF 160° F CONTINUOUSLY AT FULL RATED LOAD
- MICRO SWITCH CATALOG LISTING MARKED ON SIDE OF SWITCH
- FURNISHED UNASSEMBLED
- APPLIES ONLY TO "ON" AND "MOMENTARY ON" POSITIONS
- SUFFIX MUST BE ADDED FOR DESIRED LEVER STYLE AND COLOR (EXAMPLE: 32NT391-7-C08)
- BLACK FINISH

THIRD ANGLE PROJECTION	
SCALE	FULL
DO NOT SCALE PRINT	
UNLESS OTHERWISE SPECIFIED TOLERANCES ARE	
ONE PLACE	(.0) ±.030
TWO PLACE	(.00) ±.015
THREE PLACE	(.000) ±.005
ANGLES	±
WEIGHT	