

5

4

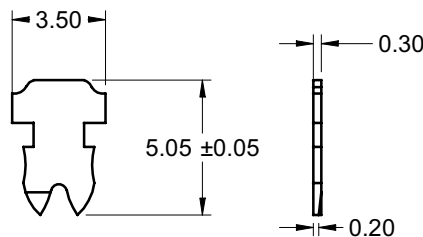
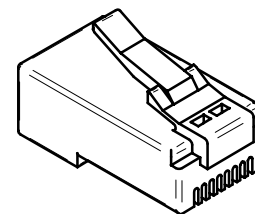
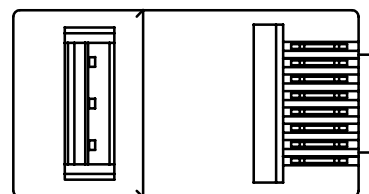
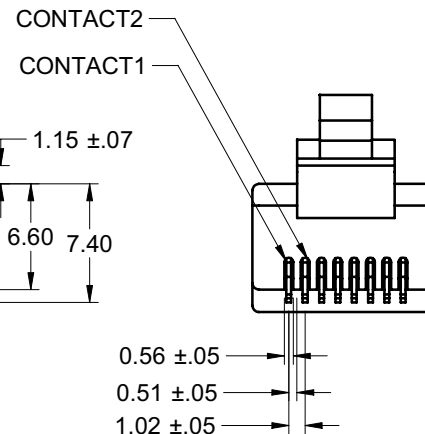
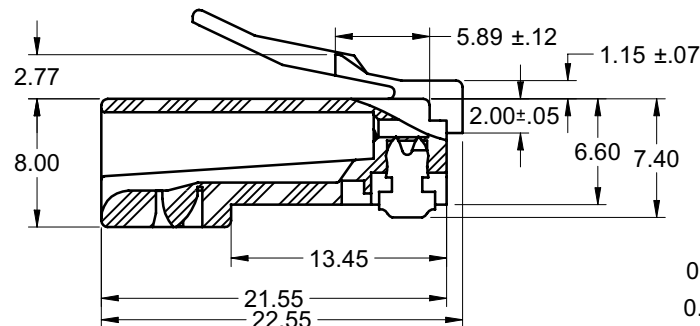
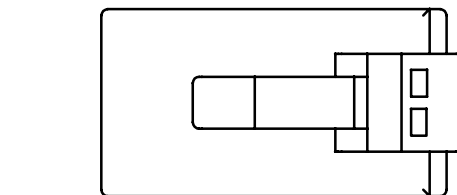
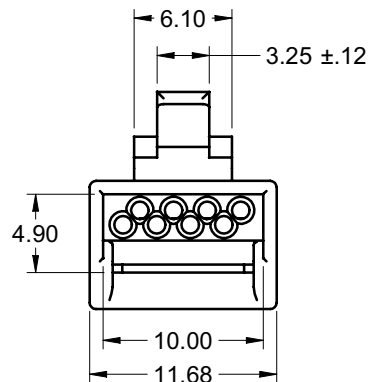
3

2

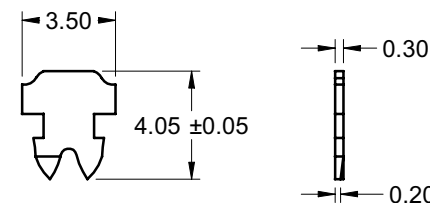
1

<b>受控 CONTROLLED DOCUMENT</b>					
编号 P/N	32-6198UL	版本 Rev	01	日期 Rel'd Date	May8,09

DRAWING NO. 32-6198UL					
REVISIONS					
01	OFFICIAL RELEASE				Thomas Chow
	04-01-09	T	W	T	2009.05.04 14:35:01 +08'00'



CONTACT 1



CONTACT 2

NOTES:

1. ELECTRICAL SPECIFICATIONS

INSULATION RESISTANCE: 1000 MEGOHMS  
WITHSTAND VOLTAGE: 1000V,AC/ MINUTE

2. MECHANICAL SPECIFICATIONS

CONTACT MATERIAL: PHOSPHOR BRONZE 0.3MM THICKNESS  
CONTACT PLATING: 50 MICRO-INCH GOLD PLATE OVER 100  
MICRO-INCH NICKEL PLATING

HOUSING MATERIAL: POLYCARBONATE  
DURABILITY: 1000 CYCLES MIN  
UL FLAMABILITY RATING: 94-V0

3. ENVIRONMENTAL SPECIFICATIONS

TEMPERATURE RANGE: -40 °C TO +70 °C

THIS DRAWING TO BE INTERPRETED  
PER ANSI Y 14.5M - 1994

COMPANY CONFIDENTIAL

TOLERANCE UNLESS OTHERWISE SPECIFIED		DRAWN BY	DATE
DECIMALS	mm	TERRY.W	04-01-09
x	± 0.5	CHECKED BY	DATE
x.x	± 0.15	Ivon.Wang	04-01-09
x.xx	± 0.10	APPROVED BY	DATE
ANGLES	± 0.5°	THOMAS	04-01-09
		U/M: mm	
THIS DRAWING WAS PRODUCED BY COMPUTER, DO NOT SCALE DRAWING OR UPDATE MANUALLY.			

<b>EMERSON</b> Network Power		<b>Connectivity Solutions</b>	
TITLE		CAT6 RJ45 WITH LOAD BAR,UL	
SHEET	DRAWING NO.	SIZE	
1 OF 1	32-6198UL	C	

5

4

3

2

1