

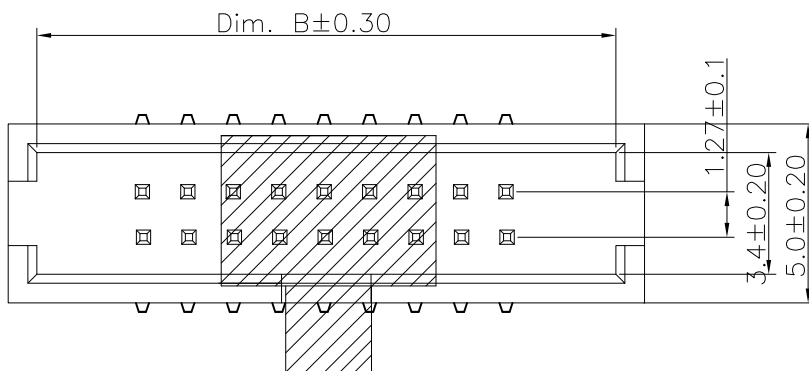
1

2

3

4

5



Dimensions:

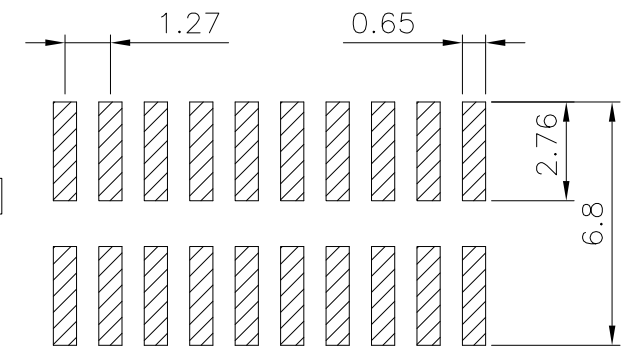
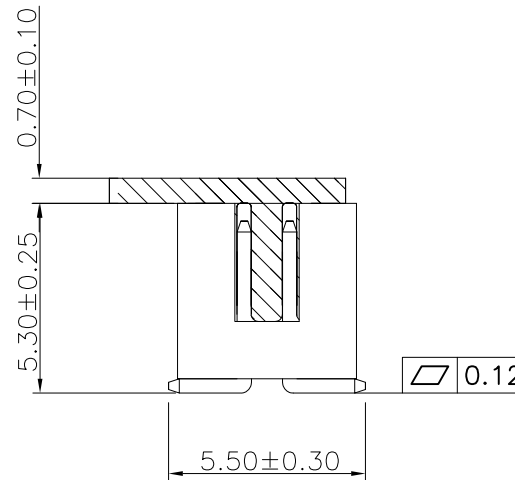
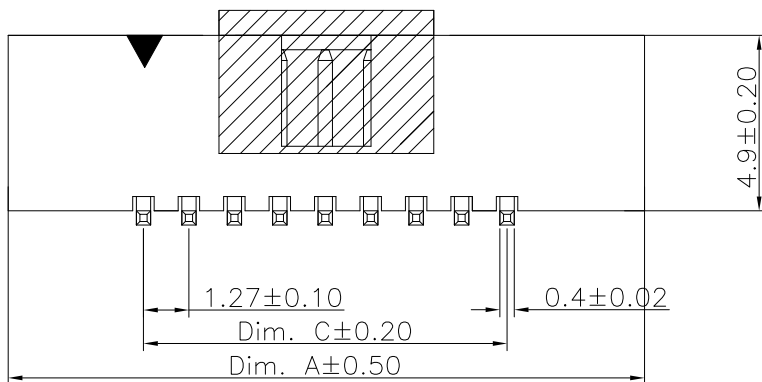
No. Pin	Dim. A	Dim.B	Dim.C
8	11.43	9.83	3.81
10	12.70	11.10	5.08
12	13.97	12.37	6.35
14	15.24	13.64	7.62
16	16.51	14.91	8.89
20	19.05	17.45	11.43
24	21.59	19.99	13.97
26	22.86	21.26	15.24
30	25.40	23.80	17.78
34	27.94	26.34	20.32
40	31.75	30.15	24.13
44	34.29	32.69	26.67
50	38.10	36.50	30.48
60	44.45	42.85	36.83
68	49.53	47.93	41.91

Specifications:

Current Rating:1.0A AC/DC
 Voltage Rating:50V AC/DC
 Contact Resistance:20m ohm .Max
 Insulation Resistance:1,000M ohm. min.
 Withstanding Voltage:500V AC
 Operating Temperature Range:-40°C ~ +105°C

Material and Finish

Insulator:High Temp. Plastic(Nylon 9T UL94V-0)
 Insulator Color:Black
 Terminal:Brass
 Plating:Gold Plated Over Nickel.



PCB Layout

RoHS Compliant

F				DRAWN:	GENERAL TOLERANCE: .X = ±0.20 .XX = ±0.15	<div style="text-align: center;">CnC Tech</div> Industrial Cable and Connector Technology	DESCRIPTION: 1.27 Pitch Box Header SMT Type	SIZE A4
E				CHECKED:				
D				APPROVAL:	UNIT: MM	PART NO: 3221-XX-0300-00-TR		
C					SCALE: 1:1			
B				APPROVAL:	SHEET: 1 / 2			
A	19-Jun-2019				PROJECTION:			
REV	DATE	FILE	BY					

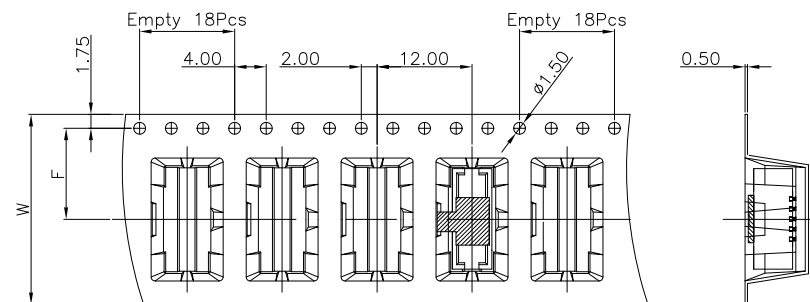
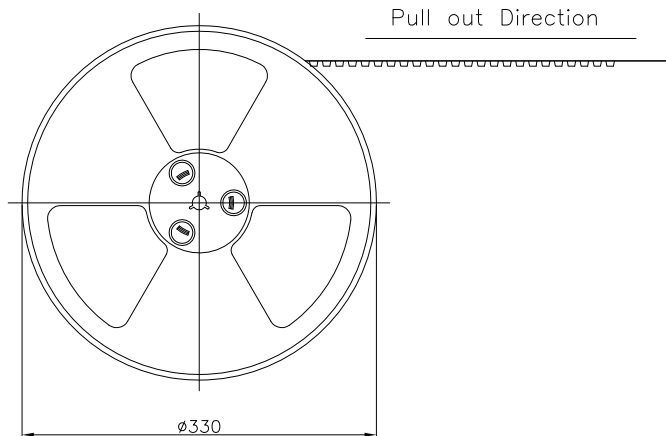
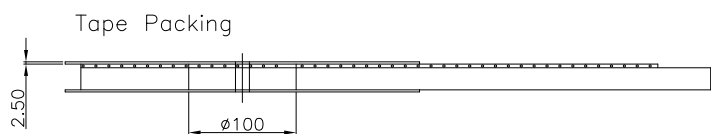
1

2

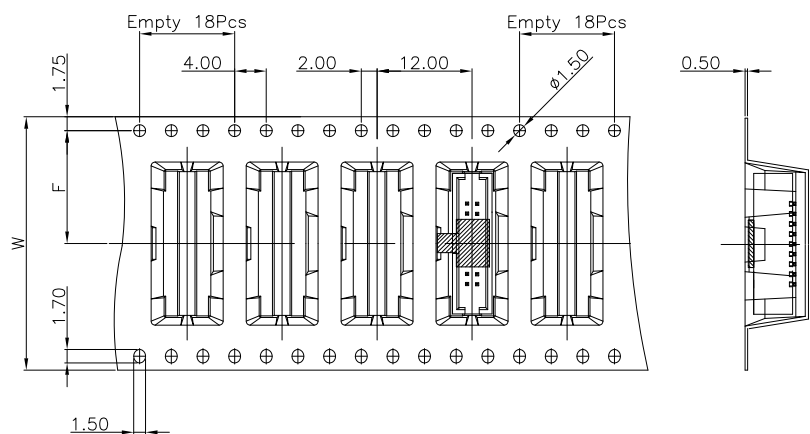
3

4

5



For Reel width (dimension W)24mm,Single row hole



For Reel width (dimension W)32,44,56,72mm,Double rows hole

Pin NO.	W	F	PCS/R	R/CTN	Q'TY
4P~12P	24	11.2	700	9	6300
14P~18P	32	14.2	700	7	4900
20P~36P	44	20.2	700	5	3500
38P~56P	56	26.2	700	4	2800
58P~68P	72	34.2	500	3	1500

Note:

- 1.All dimensions meet EIA-481-C Requirements.
- 2.Material:Black Polystyrene
- 3.Thickness:0.50±0.05mm
- 4.Carton Size:350*350*296(mm)

RoHS Compliant

F				DRAWN:	GENERAL TOLERANCE: .X=±0.20 .XX=±0.15	<h1 style="color: red;">CnC Tech</h1> Industrial Cable and Connector Technology	DESCRIPTION: 1.27 Pitch Box Header SMT Type	SIZE A4
E				CHECKED:	UNIT: MM SCALE: 1:1			
D				APPROVAL:	SHEET: 2 / 2	PART NO: 3221-XX-0300-00-TR		
C					PROJECTION:			
B								
A	19-Jun-2019							
REV	DATE	FILE	BY					