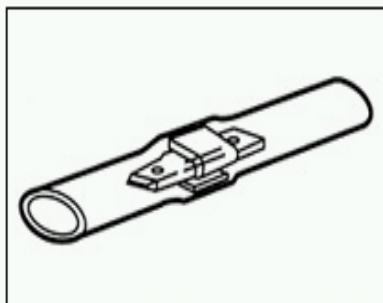


## 321688 Product Details

Have a Question?

Chat with a Product Information Specialist



321688

### FASTON Splices

 [Always EU RoHS/ELV Compliant \(Statement of Compliance\)](#)

#### Product Highlights:

- Tab Width = 6.35 mm
- Splice Type = Single
- PVC Housing Material
- Tin Finish

[View all Features](#)

TE Internal Number: 321688

 Active

 [View 3D PDF](#)

 [Add to My Part List](#)  [Request Sample](#)  [Find Similar Products](#)  [Buy Product](#)

#### Quick Links

- ▶ [Check Pricing & Availability](#)
- ▶ [Search for Tooling](#)
- ▶ [Product Feature Selector](#)
- ▶ [Contact Us About This Product](#)

### Documentation & Additional Information

#### Product Drawings:

- [FASTON "250" SERIES](#) (PDF, English)

#### Catalog Pages/Data Sheets:

- None Available

#### Product Specifications:

- None Available

#### Application Specifications:

- None Available

#### Instruction Sheets:

- [Cigarette Splice](#) (PDF, English)

#### CAD Files: [\(CAD Format & Compression Information\)](#)

- [2D Drawing](#) (DXF, Version G)
- [3D Model](#) (IGES, Version G)
- [3D Model](#) (STEP, Version G)

#### Related Products:

- [Tooling](#)

[List all Documents](#)

### Product Features (Please use the Product Drawing for all design activity)

#### Product Type Features:

- [Tab Width \(mm \[in\]\)](#) = 6.35 [0.25]
- [Splice Type](#) = Single
- [Finish](#) = Tin
- Material = Brass
- RU (UL Component Program) = No
- Insulation = Yes
- Insulation Material = Vinyl

#### Housing Related Features:

- Housing Material = PVC

#### Industry Standards:

- [RoHS/ELV Compliance](#) = RoHS compliant, ELV compliant
- [Lead Free Solder Processes](#) = Not relevant for lead free process
- RoHS/ELV Compliance History = Always was RoHS compliant
- CSA Certified = No

#### Other:

- Brand = AMP

 BOOKMARK 

#### Corporate Information

[Who We Are](#)  
[Investors](#)  
[News Room](#)  
[Supplier Portal](#)  
[Careers](#)


#### Quick Links

[Check Distributor Inventory](#)  
[Cross Reference](#)  
[Find Documents & Drawings](#)  
[Product Compliance Support Center](#)  
[Site Map](#)

#### Customer Support

[Email or Chat with Us](#)  
[Find a Phone Number](#)  
[Search Knowledge Base](#)  
[Manage Your Account](#)

#### Sign up for our eNewsletter

Enter your email address 

#### Follow Us On:



Visit Us On:

