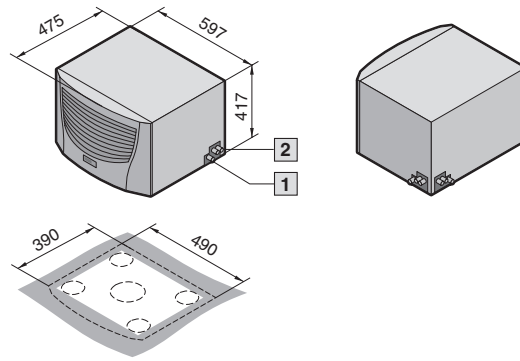


# Air/water heat exchangers

## Roof-mounted, useful cooling output 4000 W



### Supply includes:

Fully wired ready for connection with connector, including drilling template, sealing mat and assembly parts.

- 1 Condensate discharge 1/2" (flexible)
- 2 Cooling water connection 1/2" (flexible)

**Approvals,**  
see page 84.

**Detailed drawing,**  
see page 1293.

**Performance diagrams,**  
available on the Internet.

### Property rights:

German registered designs  
no. 402 02 324 and  
no. 402 02 325  
US design patent  
no. US D 492,319S  
Indian registered design  
no. 189 956  
Chinese registered design  
no. ZL 0330 6415.6



### ! Also required:

Cooling water system such as Rittal recooling systems, from page 656.

	Water-carrying parts			
<b>Model No. SK Basic controller</b>	<b>CuAL</b>	<b>3210.100</b>	<b>3210.110</b>	<b>3210.140<sup>1)</sup></b>
<b>Model No. SK Comfort controller</b>	<b>CuAL</b>	<b>3210.500</b>	<b>3210.510</b>	<b>3210.540<sup>1)</sup></b>
<b>Useful cooling output CuAL</b>	<b>L 35 W 10, 400 l/h</b>	<b>4000 W</b>		
<b>Model No. SK Basic controller</b>	<b>V4A (stainless steel)</b>	<b>3210.104<sup>1)</sup></b>	<b>3210.114<sup>1)</sup></b>	<b>3210.144<sup>1)</sup></b>
<b>Model No. SK Comfort controller</b>	<b>V4A (stainless steel)</b>	<b>3210.504<sup>1)</sup></b>	<b>3210.514<sup>1)</sup></b>	<b>3210.544<sup>1)</sup></b>
<b>Useful cooling output V4A</b>	<b>L 35 W 10, 400 l/h</b>	<b>3000 W</b>		
Rated operating voltage V, Hz		230, 50/60	115, 50/60	400, 2~, 50/60
Dimensions in mm	W	597		
	H	417		
	D	475		

Rated current max.	0.44 A/0.5 A	0.9 A/1.0 A	0.25 A/0.3 A
Pre-fuse T	4.0 A		
Cooling medium	Water (refer to specifications on the Internet; assembly instructions chapter 13)		
Water inlet temperature	> +1°C to +30°C		
Permissible operating pressure p. max.	1 to 10 bar		
Temperature range	+1°C to +70°C		
Protection category to EN 60 529/09.2000	IP 55 <sup>2)</sup>		
Duty cycle	100 %		
Type of connection	Plug-in terminal strip		
Weight	25.5 kg	29.5 kg	29.5 kg
Colour	RAL 7035		
Air throughput of fans (unimpeded air flow)	925 m <sup>3</sup> /h		
Temperature control	Basic or Comfort controller (factory setting +35°C)		

Accessories	Packs of		Page
Door-operated switch	1	4127.000	1030
SK bus system for Comfort controller	1	3124.100	717
Interface card for Comfort controller	1	3124.200	716
Air ducting system	1	3286.870	711
Cover stoppers for interior air outlet	1	3286.880	712
Condensate hose	1	3301.612	720
Flow regulator valve	1	see accessories	722

<sup>1)</sup> Delivery times available on request.

<sup>2)</sup> IP 65 available on request.

Special voltages available on request. We reserve the right to make technical modifications.

