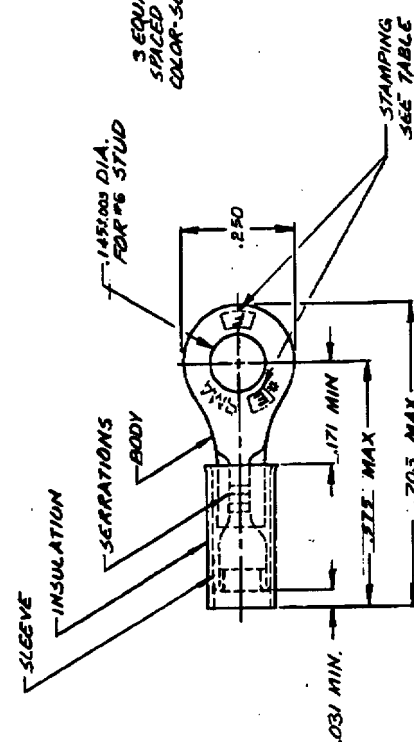
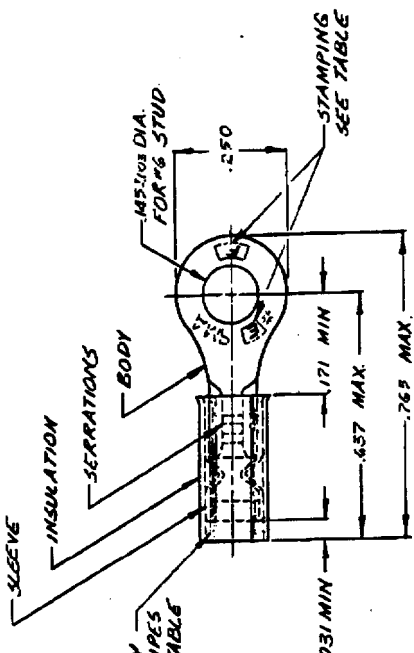


REV	DATE	DESCRIPTION	APPROVED
1	11/9	REVISED TO SHOW DIMENSIONS	AMP
2	12/87	REVISED TO SHOW DIMENSIONS	AMP
3	1/88	REVISED TO SHOW DIMENSIONS	AMP
4	1/88	REVISED TO SHOW DIMENSIONS	AMP
5	1/88	REVISED TO SHOW DIMENSIONS	AMP
6	1/88	REVISED TO SHOW DIMENSIONS	AMP
7	1/88	REVISED TO SHOW DIMENSIONS	AMP
8	1/88	REVISED TO SHOW DIMENSIONS	AMP
9	1/88	REVISED TO SHOW DIMENSIONS	AMP
10	1/88	REVISED TO SHOW DIMENSIONS	AMP
11	1/88	REVISED TO SHOW DIMENSIONS	AMP
12	1/88	REVISED TO SHOW DIMENSIONS	AMP
13	1/88	REVISED TO SHOW DIMENSIONS	AMP
14	1/88	REVISED TO SHOW DIMENSIONS	AMP
15	1/88	REVISED TO SHOW DIMENSIONS	AMP
16	1/88	REVISED TO SHOW DIMENSIONS	AMP
17	1/88	REVISED TO SHOW DIMENSIONS	AMP
18	1/88	REVISED TO SHOW DIMENSIONS	AMP
19	1/88	REVISED TO SHOW DIMENSIONS	AMP
20	1/88	REVISED TO SHOW DIMENSIONS	AMP



STYLE B
INSULATION RESTRICTING

STYLE A

- 1 TONGUE MATERIAL T.M.K. .0015.002
- 2 TIN PL. MIL-T-10727
- 3 NICKEL PL. QQ-N-290

586-699

QTY	PACKAGE TYPE	STYLE	WIRE INS. DIA	WIRE COLOR
100	LOOSE PC. BOX	B	.063-.130	BLUE
100	LOOSE PC. BOX	A	.105-.150	BLUE
100	LOOSE PIECE	B	.079-.130	GREEN
5000	ON TAPE, REEL	A	.105-.150	BLUE
320561	LOOSE PIECE	A	.105-.150	---

CONTRACT NO.	DR	CHK	APPD.	APPD.	DRGN APPD.	OTHER APPD.
16-14	16-14	16-14	16-14	16-14		
16-14	16-14	16-14	16-14	16-14		
16-14	16-14	16-14	16-14	16-14		
16-14	16-14	16-14	16-14	16-14		

WIRE SIZE	BODY FINISH	SLEEVE	PART NO.
16-14	TIN PL. MIL-T-10727	---	9-320561-1
16-14	---	---	8-320561-1
16-14	---	---	2-320561-4
16-14	---	---	2-320561-3
16-14	---	---	2-320561-2
16-14	---	---	320561

UNLESS OTHERWISE SPECIFIED DIMENSIONS ARE IN INCHES.	TOLERANCES ON:	DECIMALS	ANGLES
		±.008	±

NAME	SCALE	DRAWING NO.	SHEET
AMP INCORPORATED Harrisburg, Pa. 17106	N7.5	320561	---
TERMINAL, PIDG, RING			

CUSTOMER DRAWING