

DELTRON

controls /  DIVISION OF DELTROL CORP.

320

3 AMP MINIATURE RELAY



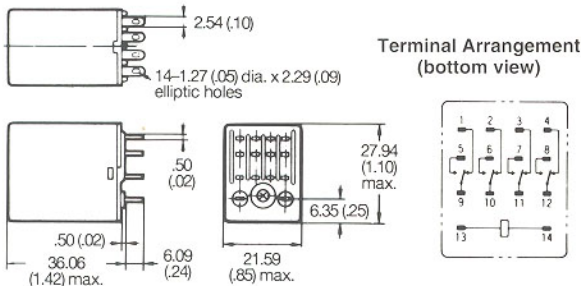
FOUR POLE DOUBLE THROW (4PDT)

Part Number	Coil Voltage (V)	Coil Res. (Ohms)	Power	Contact Rating	Type
32003-80	6DC	40	0.9W	3A	4PDT Standard Plug-in/Solder
32003-81*	12DC	160			
32003-82*	24DC	650			
32003-83	48DC	2,600			
32003-84	100/110DC	11,000			
32007-81	12AC	46	1.2VA	3A	4PDT Standard PCB
32007-82	24AC	180			
32007-84*	110/120AC	4,430			
32007-85	220/240AC	18,790			
32011-80	6DC	40	0.9W	3A	4PDT Standard PCB
32011-81	12DC	160			
32011-82	24DC	650			
32015-82	24AC	180	1.2VA	3A	4PDT Standard PCB
32015-84	110/120AC	4,430			
32015-85	220/240AC	18,790			

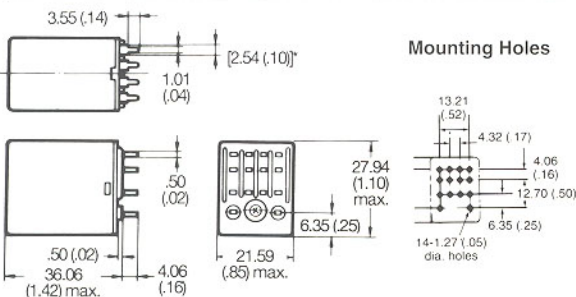
*Black Items Are Normally Stocked.

Blue Items Are Non Stock - Minimum Quantity May Be Required.

4PDT PLUG-IN/SOLDER



4PDT PRINTED CIRCUIT TERMINALS



CONTACT DATA

Contact Ratings:

3A, 220VAC, 24VDC (Resistive); 0.8A, 220VAC, 1.5A, 24VDC (Inductive); 5A, 240VAC, 28VDC (Resistive)

Contact Material: Silver (Gold Flash)

Max. Operating Voltage: 250VAC, 125VDC

Max. Operating Current: 3A

Max. Switching Capacity:
Resistive: 660VA, 72W

COIL DATA (% of rated voltage)

Pickup Voltage: 80% max.

Dropout Voltage: 30% min. (AC); 10% min. (DC)

Set Voltage: 80% max.

Reset Voltage: 80% max.

Maximum Voltage: 110%

CHARACTERISTIC DATA

Initial Contact Resistance: 50mΩ max.

Operate Time: 20ms max.

Release Time: 20ms max.

Insulation Resistance: 100MΩ min. (at 500VDC)

Dielectric Strength:

2,000VAC, 50/60Hz for 1 minute
Between contacts of same polarity: 1,000VAC, 50/60Hz for 1 minute

Ambient Temperature: -55° to 70°C

Service Life:

Mechanical: 20,000,000 operations min.

Electrical:

200,000 operations at 3A, 220VAC, 24VDC (Resistive); 0.8A, 220VAC (Inductive); 1.5A, 24VDC (Inductive)

CONSTRUCTION DATA

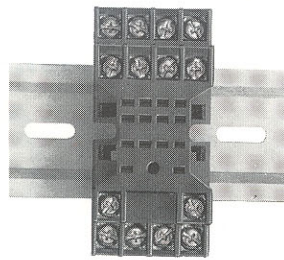
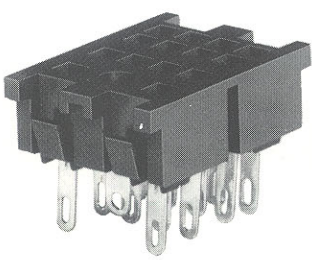
Termination: Plug-in/Solder and PCB terminals

Weight: 1.23 oz (35g)

SOCKETS FOR MODEL 320 RELAY

Part Number	Configuration	Description	Figure †
33002-80	4PDT	Back Connecting Solder Lug	7
33003-80	4PDT	Back Connecting PC Terminal	8
33005-80	4PDT	DIN Rail w/Pressure Clamp Screws	9

† Refer to 300 Series Socket Sheet for drawings.



320 Sockets



4 POLE DOUBLE THROW

Figure 7

SOLDER LUG, BACK CONNECTING P/N 33002-80

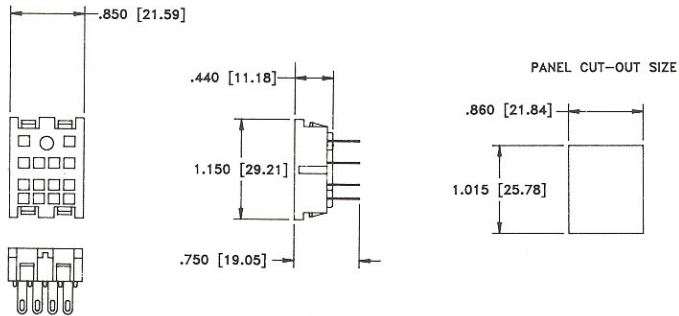


Figure 8

PC TERMINAL, BACK CONNECTING P/N 33003-80

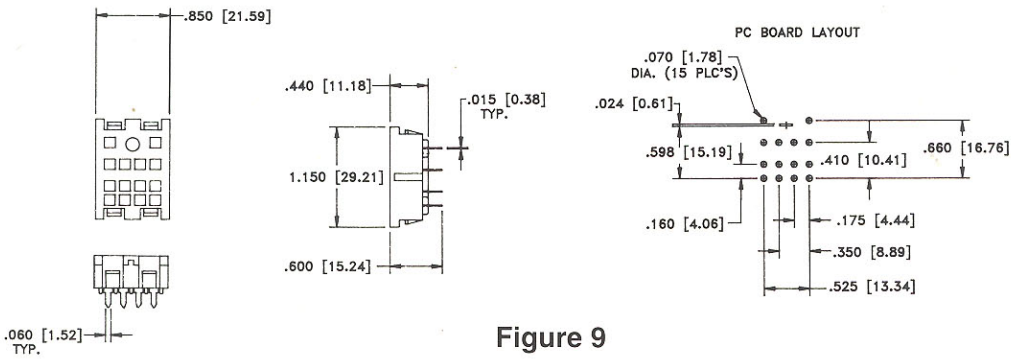


Figure 9

DIN RAIL MOUNT W/PRESSURE CLAMP SCREWS P/N 33005-80

