

Ferrule - AI 16 -12 BU - 3200564

Please be informed that the data shown in this PDF Document is generated from our Online Catalog. Please find the complete data in the user's documentation. Our General Terms of Use for Downloads are valid (<http://phoenixcontact.com/download>)



Ferrule, sleeve length: 12 mm, length: 24 mm, color: blue

Your advantages

- ✓ The AI 0,25.. ferrules can also be used to process 0.14 mm² conductors
- ✓ The insulation reliability of close connections is increased and the splicing of wires is prevented
- ✓ The ferrules with plastic sleeve are made from soft tin-plated electrolytic copper

Key Commercial Data

Packing unit	1 pc
Minimum order quantity	100 pc
GTIN	 4 017918 094171
GTIN	4017918094171
Weight per Piece (excluding packing)	0.762 g
Custom tariff number	85369010
Country of origin	Germany

Technical data

Dimensions

Length (b)	24 mm
Maximum stripping length	16 mm
Sleeve length	12 mm
Inner dimension of the insulating collar (d)	8.8 mm
Ferrule diameter	5.8 mm
Insulating collar thickness	0.4 mm

Ferrule - AI 16 -12 BU - 3200564

Technical data

Dimensions

Sleeve wall thickness	0.2 mm
-----------------------	--------

Ambient conditions

Short-term temperature	120 °C
Max. permanent temperature	105 °C (-40°C no load / 0°C dynamic load)

General

Color	blue
Components	free from silicone and halogen
Flammability rating according to UL 94	HB
Material	CU-DHP
Coating	tin-plated (galvanic)
Conductor category	Stranded conductors, class 2, 5, 6 / B, C, K, M

Standards and Regulations

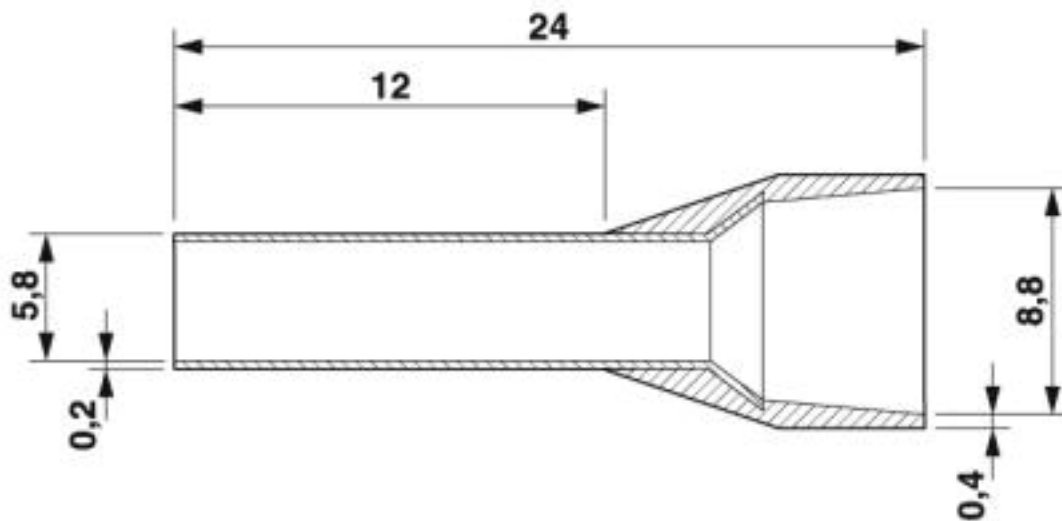
Connection in acc. with standard	CSA
Flammability rating according to UL 94	HB

Environmental Product Compliance

China RoHS	Environmentally friendly use period: unlimited = EFUP-e
	No hazardous substances above threshold values

Drawings

Dimensional drawing



Ferrule - AI 16 -12 BU - 3200564

Classifications

eCl@ss

eCl@ss 4.0	27060700
eCl@ss 4.1	27060700
eCl@ss 5.0	27400200
eCl@ss 5.1	27400200
eCl@ss 6.0	27400200
eCl@ss 7.0	27400201
eCl@ss 8.0	27400201
eCl@ss 9.0	27400201

ETIM

ETIM 2.0	EC000005
ETIM 3.0	EC000005
ETIM 4.0	EC000005
ETIM 5.0	EC000005
ETIM 6.0	EC000005
ETIM 7.0	EC000005

UNSPSC

UNSPSC 6.01	30212109
UNSPSC 7.0901	27121703
UNSPSC 11	27121703
UNSPSC 12.01	27121703
UNSPSC 13.2	27121703

Approvals

Approvals

Approvals

CSA / UL Listed / cUL Listed / CSAus / cULus Listed / cCSAus

Ex Approvals

Approval details

Ferrule - AI 16 -12 BU - 3200564

Approvals

CSA		http://www.csagroup.org/services-industries/product-listing/	247397
UL Listed		http://database.ul.com/cgi-bin/XYV/template/LISEXT/1FRAME/index.htm	E488001
cUL Listed		http://database.ul.com/cgi-bin/XYV/template/LISEXT/1FRAME/index.htm	E488001
CSAus		http://www.csagroup.org/services-industries/product-listing/	247397
cULus Listed			
cCSAus			