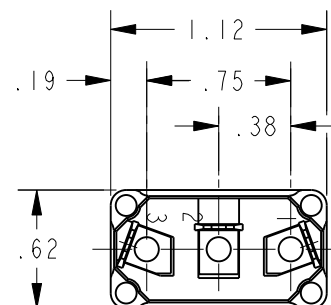
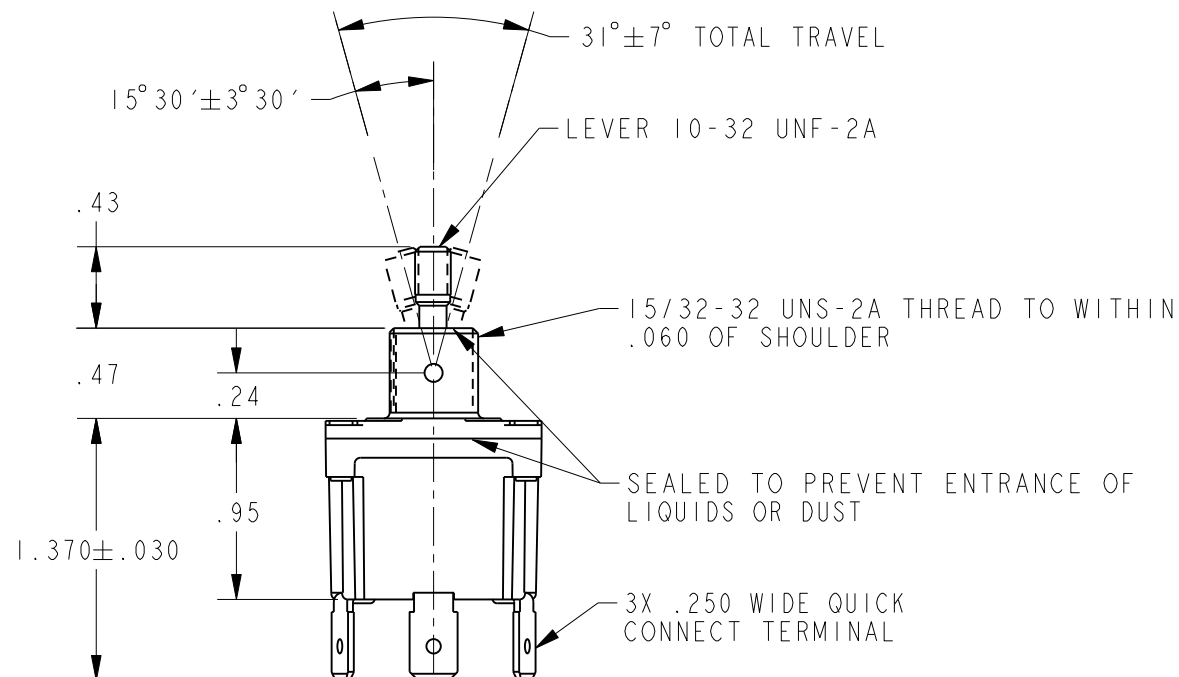
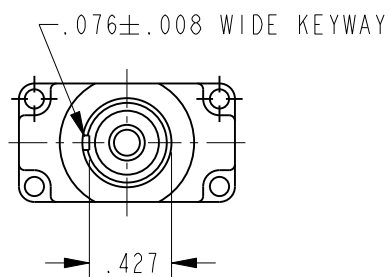
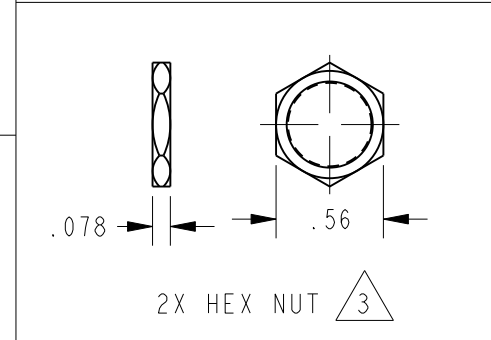
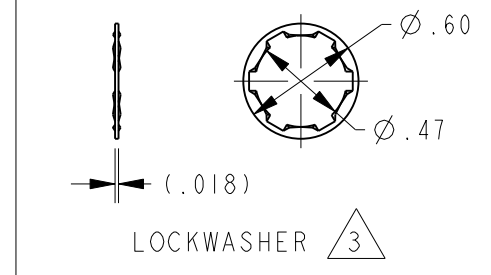
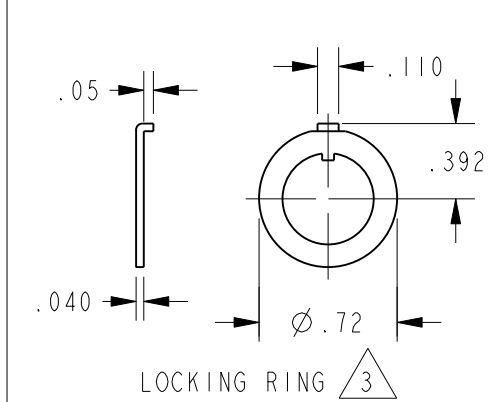


HONEYWELL  
PART NUMBER  
SEE CHART

REV	DOCUMENT	CHANGED BY	CHECK
A	0055411	LK 27AUG09	CMH



CATALOG LISTING	CIRCUIT MADE WITH TOGGLE LEVER IN			ELECTRICAL DATA
	KEYWAY SIDE (1-2)	CENTER (1-2)	OPPOSITE KEYWAY (2-3)	
3INT394-1	ON	OFF	ON	L191 15A 125, <u>250</u> , 277 VAC 1/2HP 125 VAC 1HP <u>250</u> , 277 VAC 5A 125 VAC "L"
3INT394-2	OFF	NONE	ON	
3INT394-3	ON	NONE	ON	
3INT394-21	NONE	OFF	ON	L192 10A 125, <u>250</u> , 277 VAC 1/4HP 125 VAC, 1/2HP <u>250</u> , 277 VAC 3A 125 VAC "L"
3INT394-31	NONE	ON	ON	
3INT394-5	MOM ON	OFF	ON	
3INT394-6	MOM ON	NONE	OFF	
3INT394-7	MOM ON	OFF	MOM ON	
3INT394-8	MOM ON	NONE	ON	
3INT394-51	NONE	ON	MOM ON	
3INT394-61	MOM ON	OFF	NONE	



NOTES

- 1 - SWITCH WILL WITHSTAND TEMPERATURE OF 160°F CONTINUOUSLY AT FULL RATED LOAD.
- 2 - MICRO SWITCH CAT. LIST. MARKED ON SIDE OF SWITCH.
- FURNISHED UNASSEMBLED.
- APPLIES ONLY TO "ON" AND "MOMENTARY ON" POSITIONS.
- 5 - TO ORDER WITHOUT HARDWARE ADD (-NH) SUFFIX TO CATALOG LISTING.

DESIGN UNITS: INCH	DRAWN	MBH	10AUG09	<b>Honeywell</b>							
TOLERANCES UNLESS NOTED:	CHECK	MJS	10AUG09				<b>SWITCH, TOGGLE</b>				
NO PLACES .X ± -	THIS DRAWING COVERS A PROPRIETARY ITEM AND IS THE PROPERTY OF HONEYWELL. THIS DRAWING IS NOT TO BE COPIED OR USED WITHOUT THE PERMISSION OF HONEYWELL.			TITLE							
ONE PLACE .X ± .030							INTERPRET PER ANS114.5M-1982 OTHER HONEYWELL ENGINEERING STANDARDS MAY APPLY			SIZE	TYPE
TWO PLACE .XX ± .015				<b>B</b>	<b>I</b>	-				<b>3INT394 SERIES CHART 1</b>	<b>A</b>
THREE PLACE .XXX ± .005	THIRD ANGLE PROJECTION			SCALE	NONE	SHEET		1 OF 1			
ANGLES .X ± -				Pro/ENGINEER 2D							