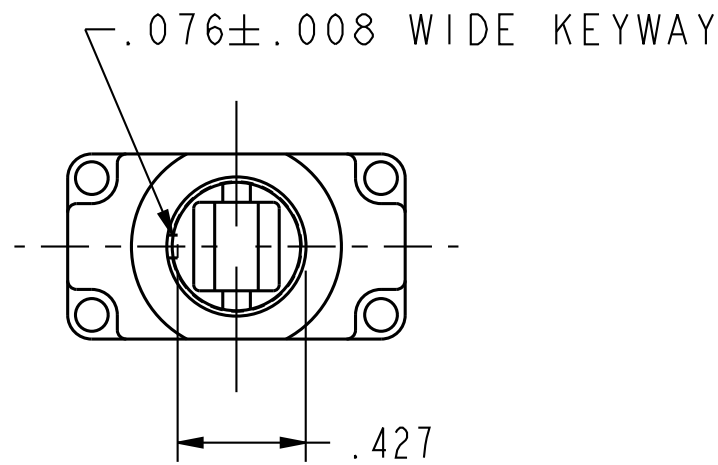


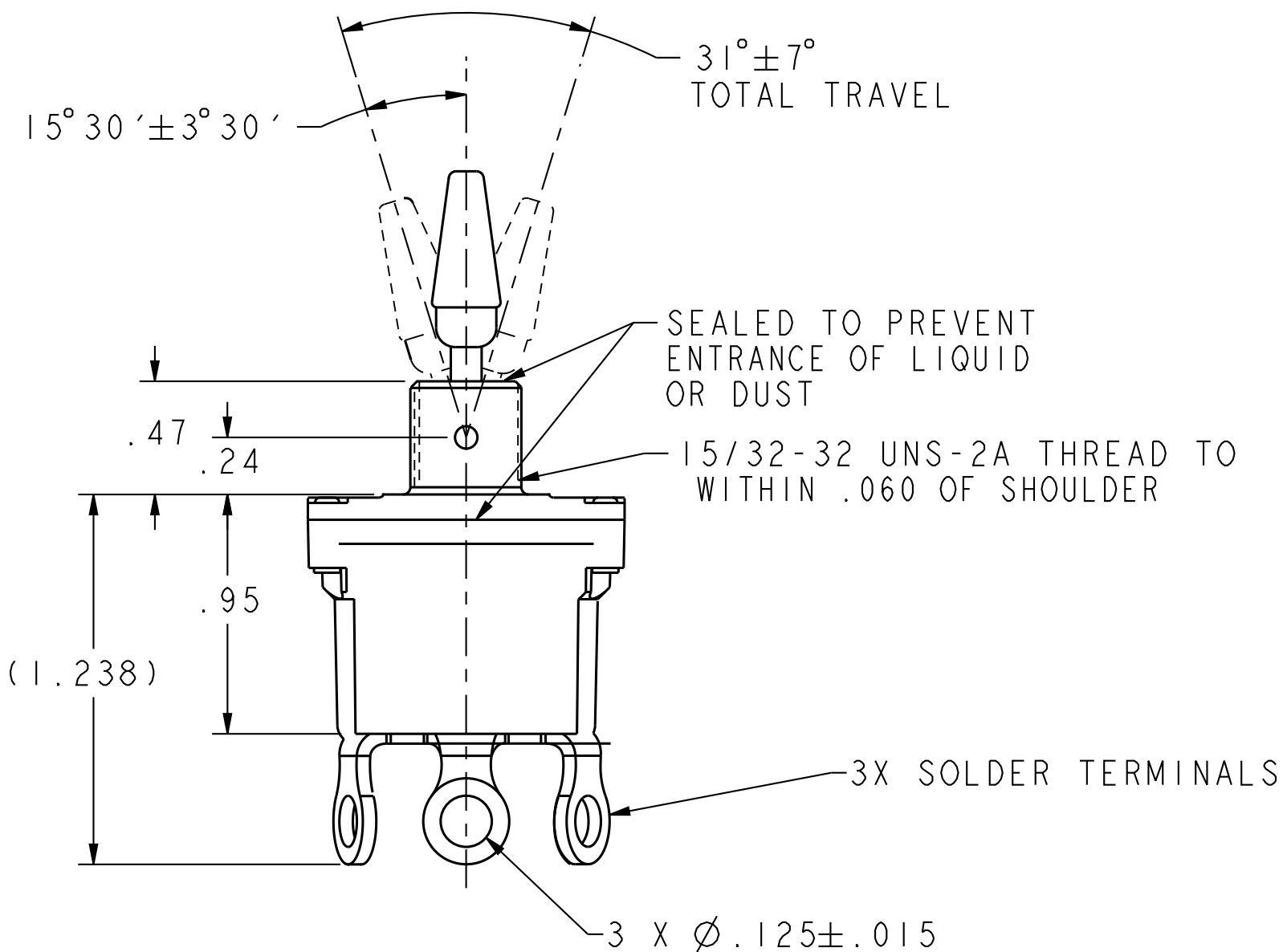
HONEYWELL
PART NUMBER

3INT393 SERIES CHART 1

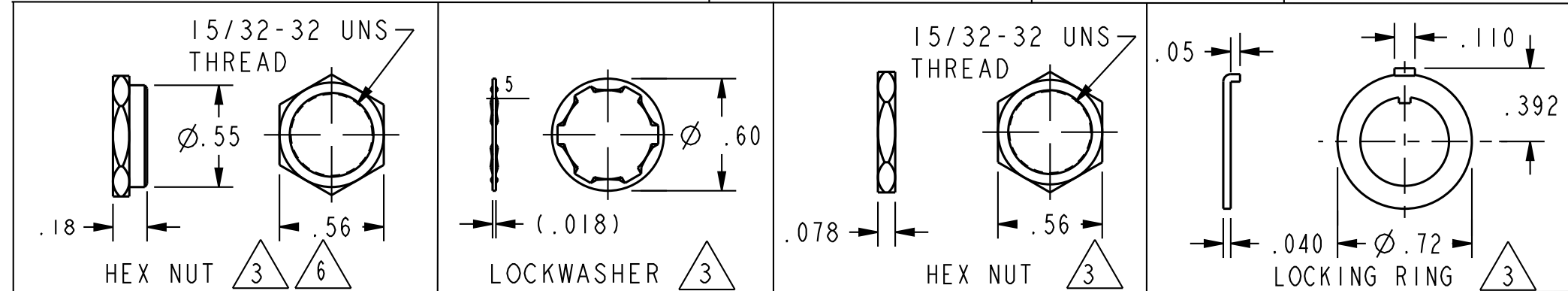
REV	DOCUMENT	CHANGED BY	CHECK
D	0100323	RKA 09MAY13	CMH



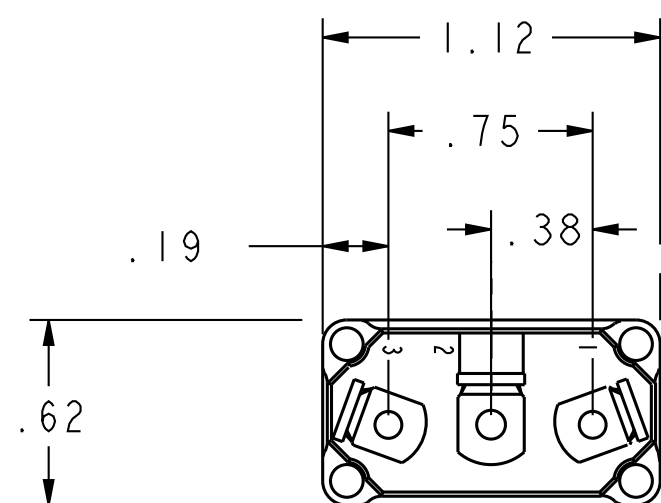
CATALOG LISTING ⁵	CIRCUIT MADE WITH TOGGLE LEVER IN ⁴			ELECTRICAL DATA
	KEYWAY SIDE (1-2)	CENTER (1-2)	OPPOSITE KEYWAY (2-3)	
3INT393-1	ON	OFF	ON	L191 15A 125, 250, 277 VAC 1/2HP 125 VAC 1HP 250, 277 VAC 5A 125 VAC "L"
3INT393-2	OFF	NONE	ON	
3INT393-3	ON	NONE	ON	
3INT393-21	NONE	OFF	ON	
3INT393-31	NONE	ON	ON	
3INT393-4	MOM OFF	NONE	ON	
3INT393-5	MOM ON	OFF	ON	L192 10A 125, 250, 277 VAC 1/4HP 125 VAC, 1/2HP 250, 277 VAC 3A 125 VAC "L"
3INT393-6	MOM ON	NONE	OFF	
3INT393-7	MOM ON	OFF	MOM ON	
3INT393-8	MON ON	NONE	ON	
3INT393-51	NONE	ON	MOM ON	
3INT393-61	MOM ON	OFF	NONE	



LEVER COLOR CODE ⁵		LEVER STYLE ⁵		
COLOR IDENT	COLOR	STYLE A	STYLE B	STYLE C
01	WHITE			
02	BLACK			
03	BLUE			
04	RED			
05	GREEN			
06	ORANGE			
07	GRAY			
08	YELLOW			
09	LT BLUE			



- NOTES
- 1 - SWITCHES ARE CAPABLE OF WITHSTANDING A TEMPERATURE OF 160° F CONTINUOUSLY AT FULL RATED LOAD
 - 2 - MICRO SWITCH CATALOG LISTING MARKED ON SIDE OF SWITCH
 - ³ FURNISHED UNASSEMBLED
 - ⁴ APPLIES ONLY TO "ON" AND "MOMENTARY ON" POSITIONS
 - ⁵ SUFFIX MUST BE ADDED FOR DESIRED LEVER STYLE AND COLOR (EXAMPLE: 3INT393-3-B08)
 - ⁶ BLACK FINISH



DESIGN UNITS: INCH TOLERANCES UNLESS NOTED:	DRAWN KSR 29NOV04 CHECK AK 29NOV04	Honeywell			
NO PLACES x ± 0 ONE PLACE .x ± 0.1 TWO PLACE .xx ± 0.01 THREE PLACE .xxx ± 0.001 ANGLES x ± 0°	THIS DRAWING COVERS A PROPRIETARY ITEM AND IS THE PROPERTY OF HONEYWELL. THIS DRAWING IS NOT TO BE COPIED OR USED WITHOUT THE PERMISSION OF HONEYWELL.			TITLE SWITCH - TOGGLE	
THIRD ANGLE PROJECTION	INTERPRET PER ASME Y14.5M-1994 OTHER HONEYWELL ENGINEERING STANDARDS MAY APPLY	SIZE C	TYPE I	DRAWING NAME 3INT393 SERIES CHART1	REV D
	Pro/ENGINEER 2D	SCALE 1:1	WEIGHT .07 LB APPROX	SHEET 1 OF 1	