

SWITCH - TOGGLE

3INT391 SERIES CHART 1

CATALOG LISTING

THIS DRAWING COVERS A PROPRIETARY ITEM AND IS THE PROPERTY OF MICRO SWITCH. A DIVISION OF HONEYWELL. THIS DRAWING IS NOT TO BE COPIED OR USED WITHOUT THE APPROVAL OF MICRO SWITCH

CATALOG LISTING
3INT391 SERIES CHART 1

PAGE 1 OF 1

ISSUE **12**

CMH

09MAY13

REPLACES

09MAY13

09MAY13

09MAY13

09MAY13

09MAY13

09MAY13

09MAY13

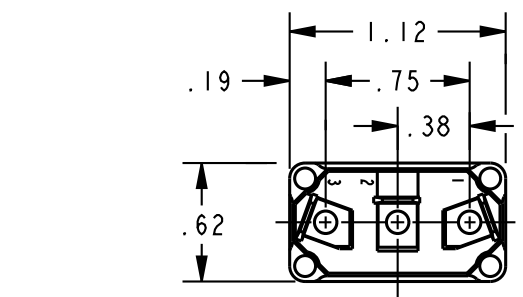
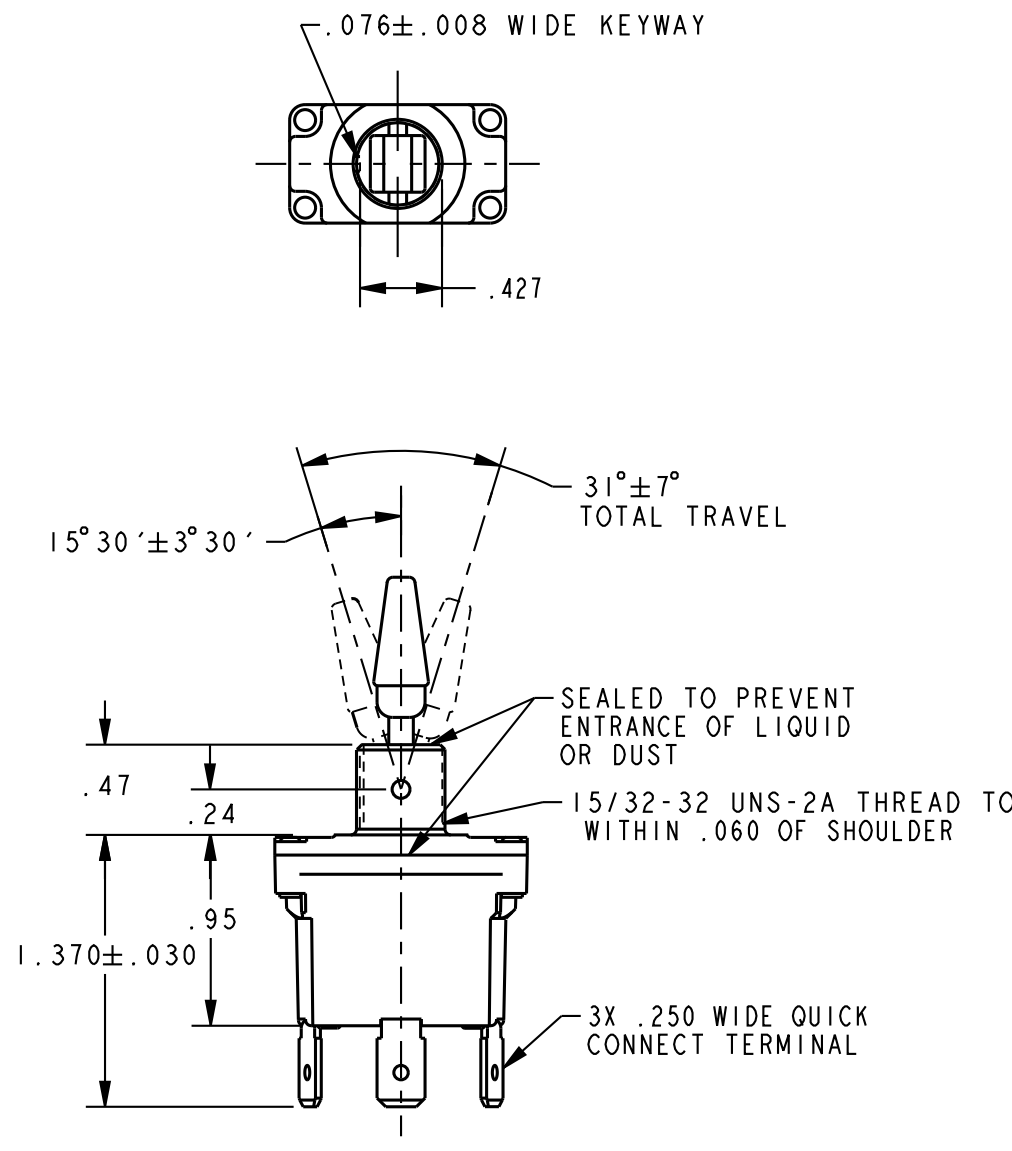
09MAY13

09MAY13

09MAY13

09MAY13

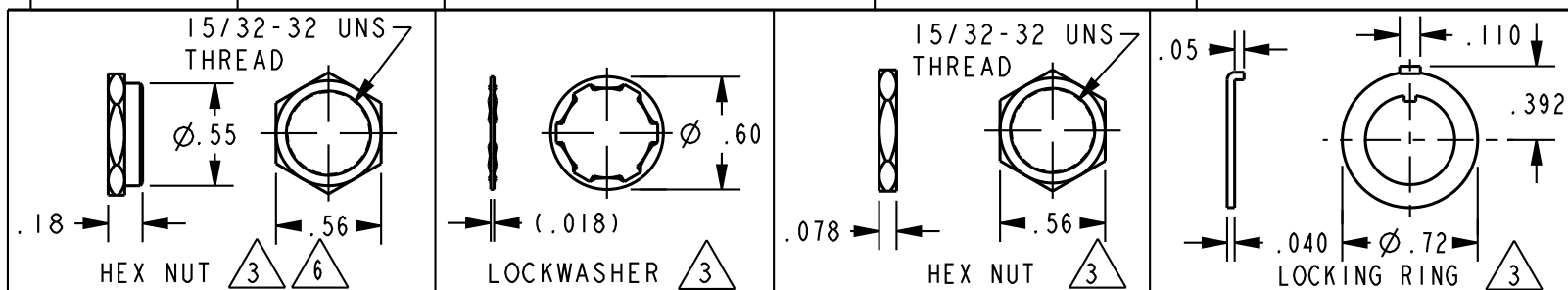
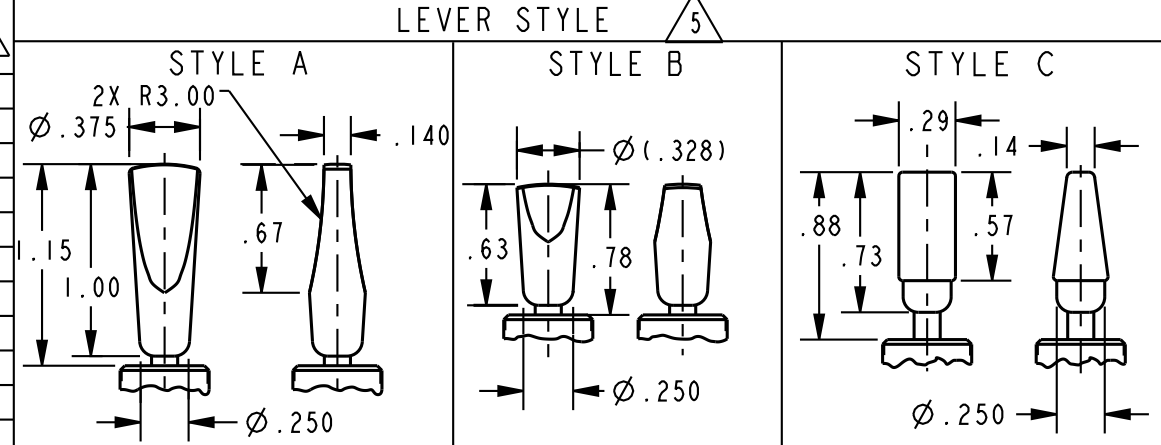
09MAY13



CATALOG LISTING ⁵	CIRCUIT MADE WITH TOGGLE LEVER IN ⁴		
	KEYWAY SIDE (1-2)	CENTER (1-2)	OPPOSITE KEYWAY (2-3)
3INT391-1	ON	OFF	ON
3INT391-2	OFF	NONE	ON
3INT391-3	ON	NONE	ON
3INT391-21	NONE	OFF	ON
3INT391-31	NONE	ON	ON
3INT391-4	MOM OFF	NONE	ON
3INT391-5	MOM ON	OFF	ON
3INT391-6	MOM ON	NONE	OFF
3INT391-7	MOM ON	OFF	MOM ON
3INT391-8	MON ON	NONE	ON
3INT391-51	NONE	ON	MOM ON
3INT391-61	MOM ON	OFF	NONE

ELECTRICAL DATA	
L191	15A 125, 250, 277 VAC 1/2HP 125 VAC 1HP 250, 277 VAC 5A 125 VAC "L"
L192	10A 125, 250, 277 VAC 1/4HP 125 VAC, 1/2HP 250, 277 VAC 3A 125 VAC "L"

LEVER COLOR CODE ⁵	
COLOR IDENT	COLOR
01	WHITE
02	BLACK
03	BLUE
04	RED
05	GREEN
06	ORANGE
07	GRAY
08	YELLOW
09	LT BLUE



- NOTES**
- SWITCHES ARE CAPABLE OF WITHSTANDING A TEMPERATURE OF 160° F CONTINUOUSLY AT FULL RATED LOAD
 - MICRO SWITCH CATALOG LISTING MARKED ON SIDE OF SWITCH FURNISHED UNASSEMBLED
 - APPLIES ONLY TO "ON" AND "MOMENTARY ON" POSITIONS
 - SUFFIX MUST BE ADDED FOR DESIRED LEVER STYLE AND COLOR (EXAMPLE: 32NT391-7-C08)
 - BLACK FINISH

THIRD ANGLE PROJECTION	
SCALE	FULL
DO NOT SCALE PRINT	
UNLESS OTHERWISE SPECIFIED TOLERANCES ARE	
ONE PLACE (.0)	±.030
TWO PLACE (.00)	±.015
THREE PLACE (.000)	±.005
ANGLES	±
WEIGHT	.07 LB APPROX