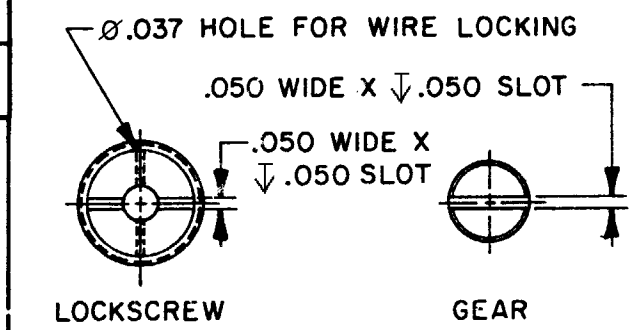
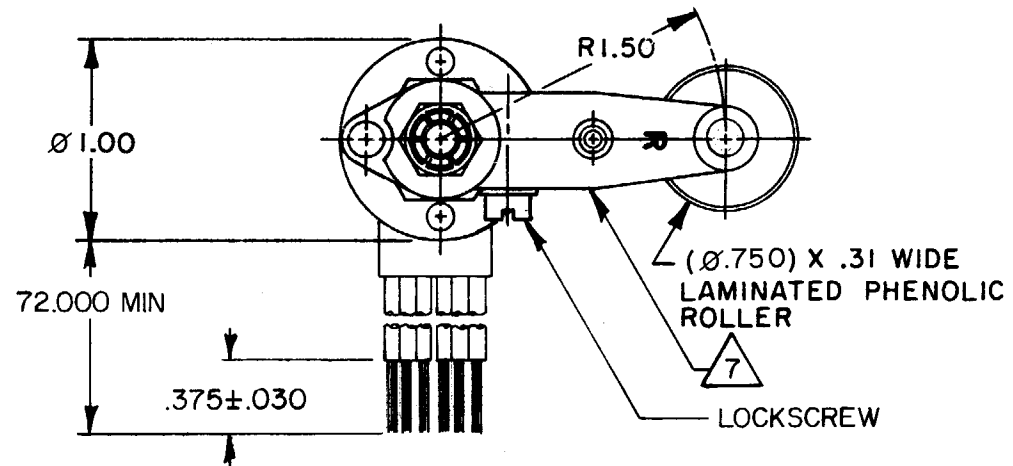


MICRO SWITCH
 FREEPORT, ILLINOIS, U.S.A.
 A DIVISION OF HONEYWELL
 FED. MFG. CODE 91928

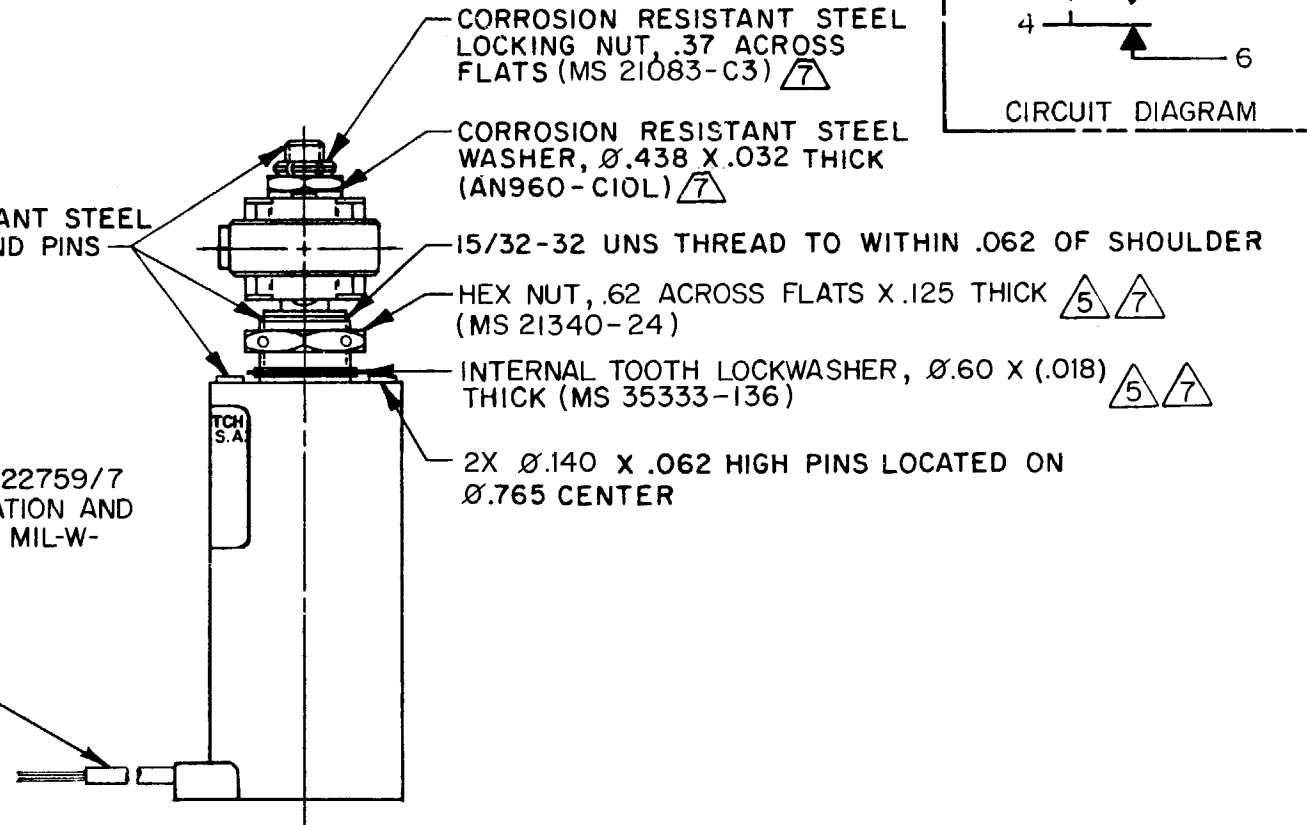
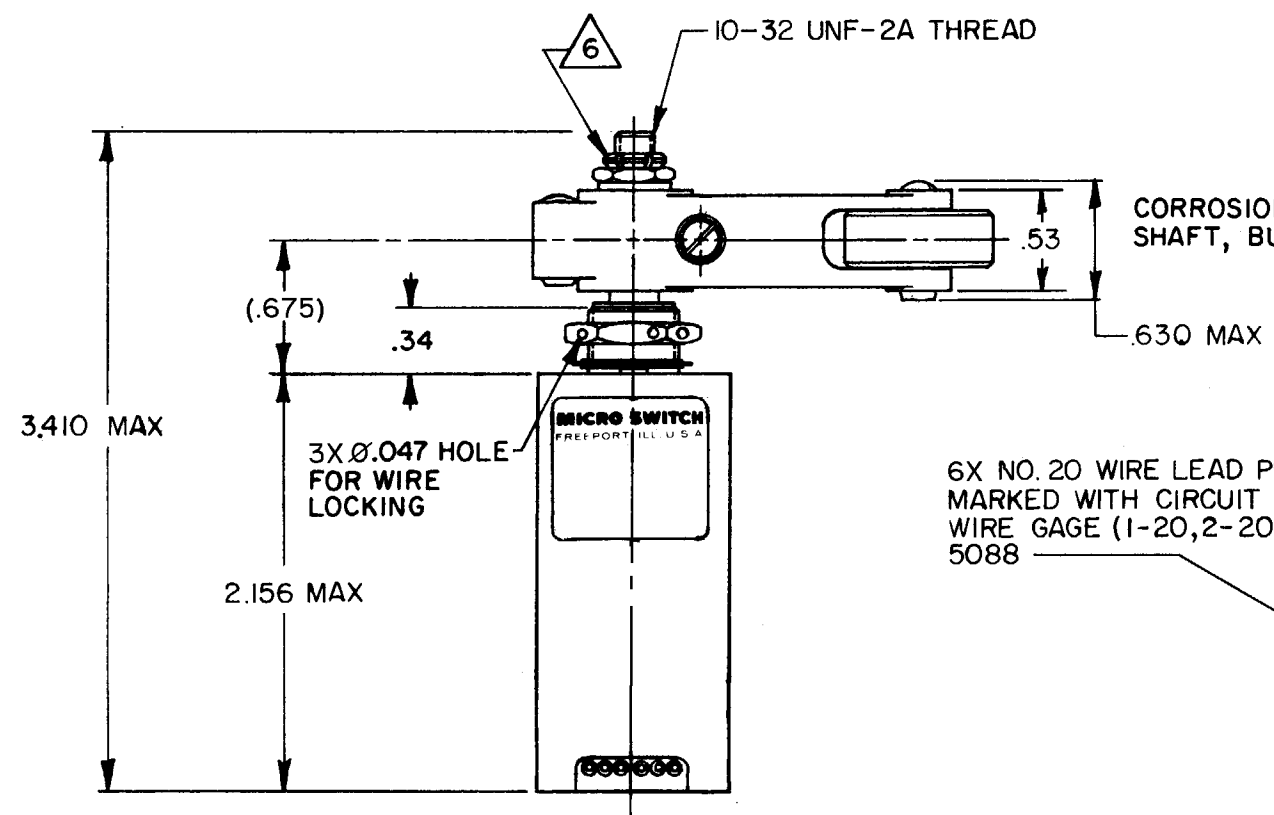
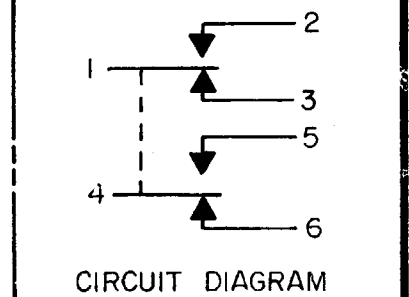
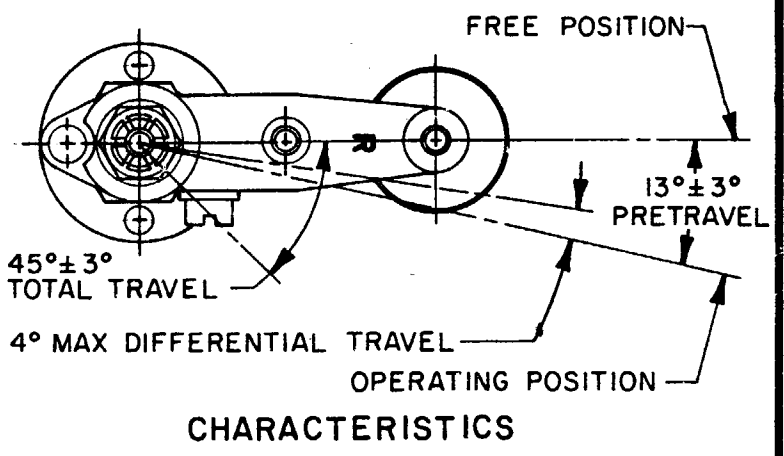
SWITCH-ENCLOSED

CATALOG LISTING
31EN94-6

CATALOG LISTING
 31EN94-6
 PAGE 1 OF 1
 ISSUE 6
 REVISIONS
 A PR-14628
 5 APR 86
 B C061895
 WJK
 24 JULY 87
 C C073639
 8 OCT 92
 D C075787-C
 DAW
 11 MAY 94
 E C093101
 JAS
 26 MAY 98
 FORMTEK
 DRAWN
 TAD 3 APR 86
 CHECK KAG
 9 APR 86
 CHECK GLL
 9 APR 86
 REPLACES
 PR-14628



ROLLER LEVER MAY BE ADJUSTED FOR AN INFINITE NUMBER OF POSITIONS THRU 360°. ADJUSTMENT IS MADE BY LOOSENING THE LOCK NUT AND THEN THE LOCKSCREW AND TURNING GEAR UNTIL LEVER IS IN DESIRED POSITION. LOCKSCREW AND LOCK NUT ON SHAFT IS THEN TIGHTENED TO POSITIVELY LOCK LEVER IN POSITION.
LEVER ADJUSTMENT DETAIL
 SCALE 2 TO 1



6X NO. 20 WIRE LEAD PER MIL-W-22759/7 MARKED WITH CIRCUIT IDENTIFICATION AND WIRE GAGE (1-20, 2-20, ETC) PER MIL-W-5088

ANSI Y14.5M-1982 APPLIES

THIS DRAWING COVERS A PROPRIETARY ITEM AND IS THE PROPERTY OF MICRO SWITCH. A DIVISION OF HONEYWELL. THIS DRAWING IS NOT TO BE COPIED OR USED WITHOUT THE APPROVAL OF MICRO SWITCH.

CHARACTERISTICS	
OPERATING TORQUE	12-25 IN LB
RELEASE TORQUE	9 IN LB MIN
PRETRAVEL	SEE DETAIL
DIFFERENTIAL TRAVEL	
OVERTRAVEL	
FREE POSITION	

ELECTRICAL DATA		
CONTACT ARRANGEMENT		
2X S P D T		
28 VDC		
LOAD	SEA LEVEL	50,000 FT.
RES	5	5
IND	3	2
MOTOR	4	
LAMP		

TOLERANCES			
APPLY TO DIMEN UNITS. CONVERSIONS ARE ONLY FOR REFERENCE. UNLESS NOTED, TOLERANCES ARE 2			
NO PLACES	DIM. IN	TOL. mm/in	DESIGN UNITS
ONE PLACE	X	1/64	SI METRIC
TWO PLACES	X, X, X	0.001/0.015	US CUSTOMARY
THREE PLACES	X, X, X	0.0001/0.002	
ANGLES	X, X, X	0.001/0.015	

THIRD ANGLE PROJECTION

WEIGHT 9.5 OZ MAX

- NOTES
- SWITCH SEALED PER MIL-S-8805 SYMBOL 4
 - CIRCUIT DIAGRAM, AND CATALOG LISTING ARE SHOWN ON NAMEPLATE
 - CORROSION RESISTANT STEEL ENCLOSURE
 - TOTAL TRAVEL OF ROLLER LEVER IS 45° ± 3° IN CLOCKWISE DIRECTION ONLY WITH SPRING RETURN TO NEUTRAL
 - REPLACEMENT MOUNTING HARDWARE - PACKET 19PA10
 - DO NOT APPLY MORE THAN 20-25 INCH POUNDS OF TORQUE WHEN TIGHTENING LOCKING NUT
 - HARDWARE MAY BE PACKAGED UNASSEMBLED PER MIL-S-8805
 - REPLACEMENT LEVER 6PA356-EN