

# Snapfit Indicator Lights for 1.282" x .395" Mounting Hole

## 31D SERIES DUAL MESSAGE

- RECTANGULAR INDICATOR LIGHTS FOR 1.281" X .395" MOUNTING HOLE
- 6" WIRE LEADS OR 3/16" OR 1/4" TAB TERMINALS
- NEON OR INCANDESCENT INDICATOR LIGHTS
- VARIETY OF LENS COLORS
- UL AND CSA LISTED • UL FILE E20356 • CSA FILE LR15284-5,8,12,17

### Overview

The 31D Series Rectangular Indicators feature a wide variety of lens colors and voltage options. Indicators quickly snap fit into a 1.281" x 0.395" (32.54mm x 10.03mm) mounting hole with a recommended panel thickness range from 0.020" minimum to 0.090" maximum. The Dual Message Indicator contains two lamps, which may be designed with two different lens colors for each half of the lens. Lenses may be customized with stamped message. Contact your customer service representative for specific ordering information.

### Specifications

**Housing:** white nylon. A black housing is available.

**Bezel:** zinc plated steel. A black anodized bezel is available.

**Lens:** polycarbonate. Lenses may be customized with stamped message.

**Incandescent AC or DC voltage options:** 6, 14 and 28 volts.

**Neon AC or DC voltage options:** 125 and 250 volts.

**Note:** high brightness green and blue neon lamps supplied in green and blue neon applications.

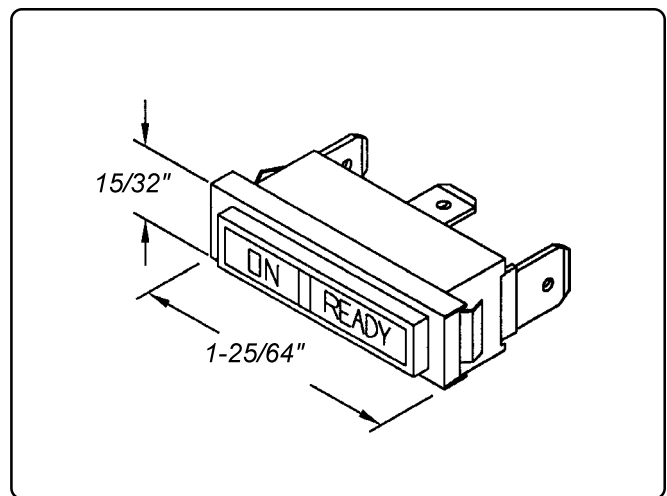
**Wire leads:**

**6" leads:** #18 AWG, black, bare copper, PVC insulated, UL/CSA rated 105° C, stripped 1/2". Custom wire lengths, stripping, termination and wire types are available.

**Terminals:**

**1/4" tabs:** brass, (1/4" length x 0.030" thick).

**3/16" tabs:** brass, (3/16" length x 0.020" thick).



### Can't find it here? We have many more standard and custom solutions

The items in this product sheets are only a small representative sample of the complete VCC product line. We manufacture many additional products which are not shown in this product sheet due to space constraints.

Custom products can also be designed uniquely for you by our Technical Support Professionals. Starting from your ideas and specifications, we work with your personnel to develop timely and cost effective solutions for your miniature lighting needs.

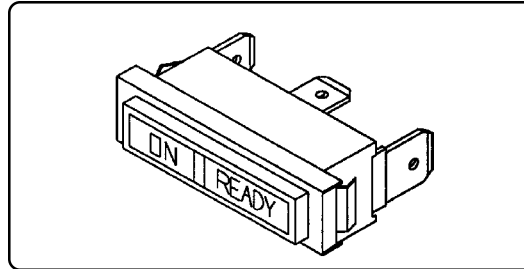
VCC Technical Support Services are provided without charge and may include designs, prototypes and pre-production samples.

**For further information, phone Customer Service at 800.522.5546.**

# Snapfit Indicator Lights for 1.282" x .395" Mounting Hole

## 31D SERIES

Dual Message  
Neon or  
Incandescent  
Single Color Lens  
Variety of Lens Colors



6" Wire Leads or  
3/16" Tab Terminals or  
1/4" Tab Terminals  
White Nylon Housing  
SnapFit Mounting  
Zinc Plated Bezel

Part Number 6" Wire Leads	Part Number 1/4" Tab Terminals	Part Number 3/16" Tab Terminals	Lens Color	Lamp Type	Design Volts	Design Watts or Amps	Life (hrs)
31D-2111	31D-2111T	31D-2111T3	Red	Neon	125	1/3W	25,000
31DH-2111	31DH-2111T	31DH-2111T3	Red	Neon	250	1/3W	25,000
31DG1-2111	31DG1-2111T	31DG1-2111T3	Red	Incandescent	6	.20A	5,000
31DG3-2111	31DG3-2111T	31DG3-2111T3	Red	Incandescent	14	.10A	10,000
31DG18-2111	31DG18-2111T	31DG18-2111T3	Red	Incandescent	28	.04A	7,000
31D-2112	31D-2112T	31D-2112T3	Green	Neon	125	1/3W	25,000
31DH-2112	31DH-2112T	31DH-2112T3	Green	Neon	250	1/3W	25,000
31DG1-2112	31DG1-2112T	31DG1-2112T3	Green	Incandescent	6	.20A	5,000
31DG3-2112	31DG3-2112T	31DG3-2112T3	Green	Incandescent	14	.10A	10,000
31DG18-2112	31DG18-2112T	31DG18-2112T3	Green	Incandescent	28	.04A	7,000
31D-2113	31D-2113T	31D-2113T3	Amber	Neon	125	1/3W	25,000
31DH-2113	31DH-2113T	31DH-2113T3	Amber	Neon	250	1/3W	25,000
31DG1-2113	31DG1-2113T	31DG1-2113T3	Amber	Incandescent	6	.20A	5,000
31DG3-2113	31DG3-2113T	31DG3-2113T3	Amber	Incandescent	14	.10A	10,000
31DG18-2113	31DG18-2113T	31DG18-2113T3	Amber	Incandescent	28	.04A	7,000
31D-2114	31D-2114T	31D-2114T3	Blue	Neon	125	1/3W	25,000
31DH-2114	31DH-2114T	31DH-2114T3	Blue	Neon	250	1/3W	25,000
31DG1-2114	31DG1-2114T	31DG1-2114T3	Blue	Incandescent	6	.20A	5,000
31DG3-2114	31DG3-2114T	31DG3-2114T3	Blue	Incandescent	14	.10A	10,000
31DG18-2114	31DG18-2114T	31DG18-2114T3	Blue	Incandescent	28	.04A	7,000
31D-2115	31D-2115T	31D-2115T3	White	Neon	125	1/3W	25,000
31DH-2115	31DH-2115T	31DH-2115T3	White	Neon	250	1/3W	25,000
31DG1-2115	31DG1-2115T	31DG1-2115T3	White	Incandescent	6	.20A	5,000
31DG3-2115	31DG3-2115T	31DG3-2115T3	White	Incandescent	14	.10A	10,000
31DG18-2115	31DG18-2115T	31DG18-2115T3	White	Incandescent	28	.04A	7,000
31D-2117	31D-2117T	31D-2117T3	Clear	Neon	125	1/3W	25,000
31DH-2117	31DH-2117T	31DH-2117T3	Clear	Neon	250	1/3W	25,000
31DG1-2117	31DG1-2117T	31DG1-2117T3	Clear	Incandescent	6	.20A	5,000
31DG3-2117	31DG3-2117T	31DG3-2117T3	Clear	Incandescent	14	.10A	10,000
31DG18-2117	31DG18-2117T	31DG18-2117T3	Clear	Incandescent	28	.04A	7,000