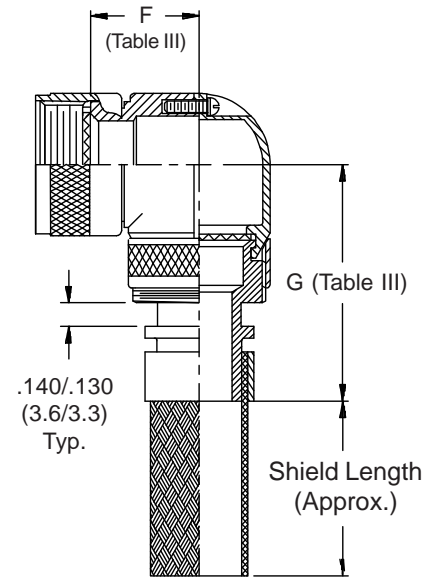
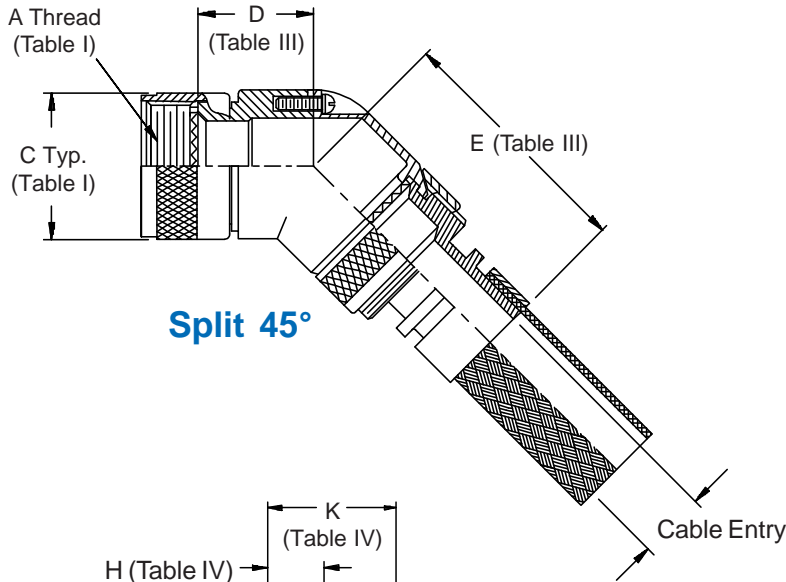
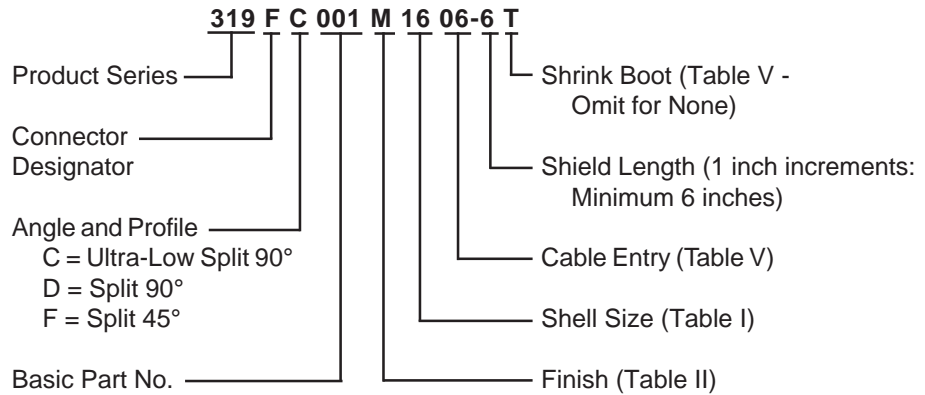
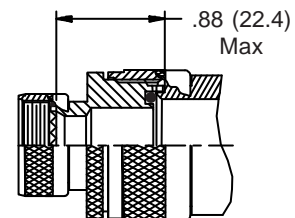
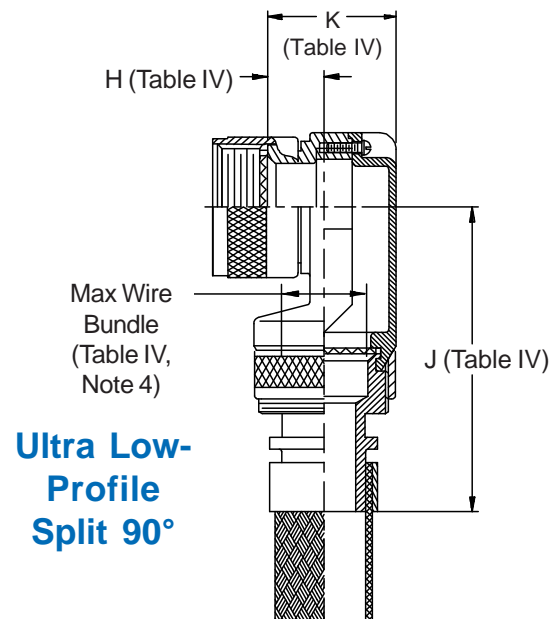


**CONNECTOR
 DESIGNATORS
 A-F-H-L-S
 ROTATABLE
 COUPLING**



Split 90°



**STYLE 2
 (See Note 4)**

319-001
EMI/RFI Shield Sock Shrink Boot Adapter
 with Optional Shrink Boot
 Split Shell - Rotatable Coupling



See inside back cover fold-out or pages 13 and 14 for unabridged Tables I and II.

TABLE III: SPLIT 90° and SPLIT 45°

SHELL SIZE		D	E	F	G
A-F-L-S	H	Max	Max	Max	Max
08	09	.440 (11.2)	1.500 (38.1)	.680 (17.3)	1.440 (36.6)
10	11	.500 (12.7)	1.560 (39.6)	.750 (19.1)	1.500 (38.1)
12	13	.560 (14.2)	1.630 (41.4)	.810 (20.6)	1.570 (39.9)
14	15	.620 (15.7)	1.660 (42.2)	.870 (22.1)	1.600 (40.6)
16	17	.680 (17.3)	1.760 (44.7)	.930 (23.6)	1.700 (43.2)
18	19	.750 (19.1)	1.820 (46.2)	1.000 (25.4)	1.760 (44.7)
20	21	.820 (20.8)	1.880 (47.8)	1.060 (26.9)	1.820 (46.2)
22	23	.880 (22.4)	1.940 (49.3)	1.120 (28.4)	1.880 (47.8)
24	25	.940 (23.9)	2.000 (50.8)	1.180 (30.3)	1.940 (49.3)

TABLE IV: ULTRA LOW-PROFILE SPLIT 90°

SHELL SIZE		H	J	K	Max Wire Bundle
A-F-L-S	H	Ref.	Max	Max	
08	09	.340 (8.6)	1.780 (45.2)	.681 (17.3)	.250 (6.4)
10	11	.270 (6.9)	1.940 (49.3)	.731 (18.6)	.375 (9.5)
12	13	.270 (6.9)	1.940 (49.3)	.731 (18.6)	.375 (9.5)
14	15	.280 (7.1)	2.010 (51.1)	.831 (21.1)	.500 (12.7)
16	17	.420 (10.7)	2.060 (52.3)	.981 (24.9)	.625 (15.9)
18	19	.640 (16.3)	2.090 (53.1)	1.181 (30.0)	.625 (15.9)
20	21	.640 (16.3)	2.090 (53.1)	1.181 (30.0)	.625 (15.9)
22	23	.540 (13.7)	2.240 (56.9)	1.181 (30.0)	.750 (19.1)
24	25	.540 (13.7)	2.240 (56.9)	1.181 (30.0)	.750 (19.1)

1. Cable Entry is defined as the accommodation range for the wire bundle or cable. Dimensions shown are not intended for inspection criteria.
2. See Shrink Boot Reference Information Sheet (page 40).
3. Metric dimensions (mm) are indicated in parentheses.
4. When maximum entry (page 21) is exceeded, Style 2 will be supplied (not available for Function C). Dimensions D, E, F, & G will not apply. Please consult factory.
5. Angular function "C", low-profile split elbow, not available with "S" connector designator.

TABLE II: STANDARD FINISHES

GLENAIR SYMBOL	FINISH
B	Cadmium Plate, Olive Drab
M	Electroless Nickel
NF	Cadmium Plate, Olive Drab Over Electroless Nickel

See Back Cover for Complete Finish Information and Additional Finish Options

TABLE V: CABLE ENTRY/BOOT

Dash No.	Cable Entry	Shrink Boot
01	.188 (4.8)	N/A
02	.250 (6.4)	N/A
03	.312 (7.9)	770-001S103
04	.375 (9.5)	770-001S103
05	.438 (11.1)	770-001S103
06	.500 (12.7)	770-001S104
07	.562 (14.3)	770-001S104
08	.625 (15.9)	770-001S104
09	.688 (17.5)	770-001S105
10	.750 (19.1)	770-001S105
11	.812 (20.6)	770-001S105
12	.875 (22.2)	770-001S106
13	.938 (23.8)	770-001S106
14	1.000 (25.4)	770-001S106