

## Accessories - ICC-MT 0,5-1,0 - 3190577

Please be informed that the data shown in this PDF Document is generated from our Online Catalog. Please find the complete data in the user's documentation. Our General Terms of Use for Downloads are valid (<http://phoenixcontact.com/download>)



Module male contact, is inserted into the ICC connector shell after the conductor has been crimped, for conductors from 0.5-1.0 mm<sup>2</sup>



### Key Commercial Data

Packing unit	1 pc
Minimum order quantity	100 pc
GTIN	 4 017918 093402
GTIN	4017918093402
Weight per Piece (excluding packing)	0.463 g
Custom tariff number	85366990
Country of origin	Poland

### Technical data

#### General

Nominal current	12 A (with 1 mm <sup>2</sup> conductor cross section)
Conductor cross section flexible min.	0.5 mm <sup>2</sup>
Max. conductor cross section, flexible	1 mm <sup>2</sup>

#### Connection data

Core diameter including insulation	1.4 mm ... 2.31 mm
Stripping length of individual wires	3.5 mm

#### Environmental Product Compliance

China RoHS	Environmentally friendly use period: unlimited = EFUP-e
------------	---

# Accessories - ICC-MT 0,5-1,0 - 3190577

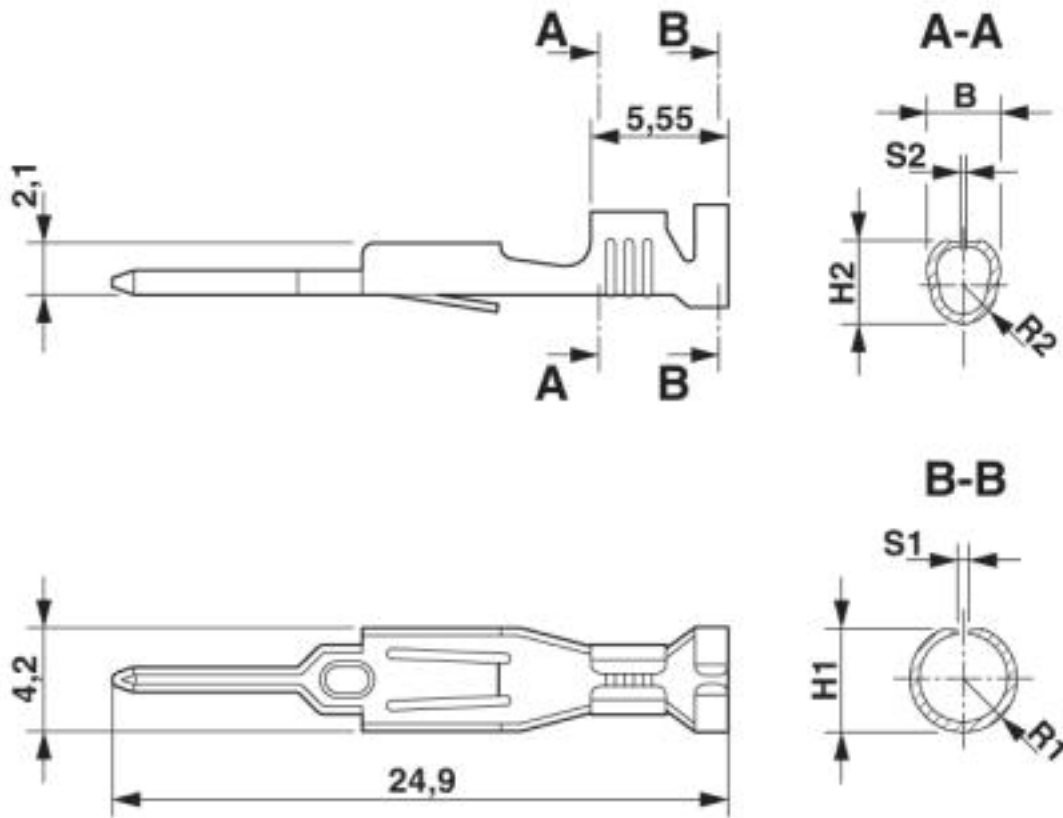
## Technical data

### Environmental Product Compliance

	No hazardous substances above threshold values
--	--

## Drawings

Dimensional drawing



## Classifications

eCl@ss

eCl@ss 4.0	27260700
eCl@ss 4.1	27260700
eCl@ss 5.0	27260700
eCl@ss 5.1	27260700
eCl@ss 6.0	27260700
eCl@ss 7.0	27440309
eCl@ss 8.0	27440204

## Accessories - ICC-MT 0,5-1,0 - 3190577

### Classifications

#### eCl@ss

eCl@ss 9.0	27440204
------------	----------

#### ETIM

ETIM 3.0	EC001121
ETIM 4.0	EC000796
ETIM 5.0	EC000796
ETIM 6.0	EC000796
ETIM 7.0	EC000796

#### UNSPSC

UNSPSC 6.01	30211810
UNSPSC 7.0901	39121410
UNSPSC 11	39121409
UNSPSC 12.01	39121409
UNSPSC 13.2	39121409

### Approvals

#### Approvals

---

#### Approvals

#### EAC

---

#### Ex Approvals

---

#### Approval details

EAC		B.01742
-----	---	---------

### Accessories

#### Accessories

#### Crimping tool

## Accessories - ICC-MT 0,5-1,0 - 3190577

### Accessories

Crimping pliers - CRIMPFOX MT 2,5 - 1204038



Crimping pliers, for crimping conductors to the module female contacts STG-MTN, crimp range: 0.5-2.5 mm<sup>2</sup>, AWG: 20-14