

REVISION -
02/28/92 YN

REVISION A
UPDATED
FORMAT
TEMECULA
WAS CARSON
3/22/95 DS

REVISION B
NEW FORMAT
ADDED NP
10/25/96 DS

REVISION C
REV'D POLARITY
TO BARREL=+
02/24/97 DS

A. Electrical specifications

- Input voltage: AC 120V ±10% 60 Hz ±0.5 Hz
- Output voltage and current: DC 7.5V at 300mA or DC 9.0V at 150mA

V _{in}	300mA Load	150mA Load	30mA Load	15mA Load
108	6.0 VDC MIN	8.1VDC MIN	-	-
120	7.1-7.9 VDC	8.5-9.5 VDC	11.6 VDC MAX	12.0 VDC MAX
132	-	-	13.0 VDC MAX	13.3 VDC MAX

NOTE: Specification applies after 10 minutes warm-up with 150mA load and at any operating temperature

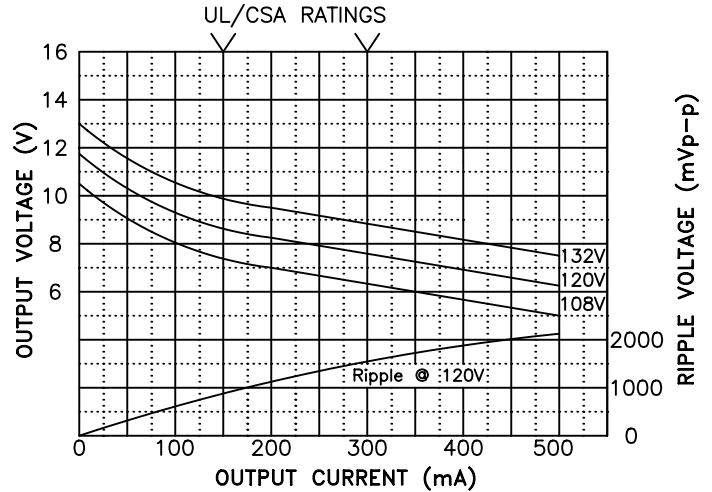
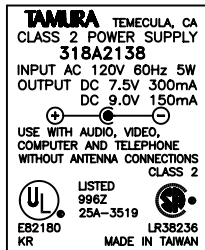
- Operating temperature: 0 ° C to +40 ° C
- Storage temperature: -20 ° C to +85 ° C
- Operating and Storage Humidity: 0 to 95% without condensation
- Withstand voltage: AC 1500Vrms 1 minute @ input to output

B. Typical performance data test condition: Ta = +25°C, measured after 10 minute warm-up with input at 120V 60Hz

C. Safety agencies

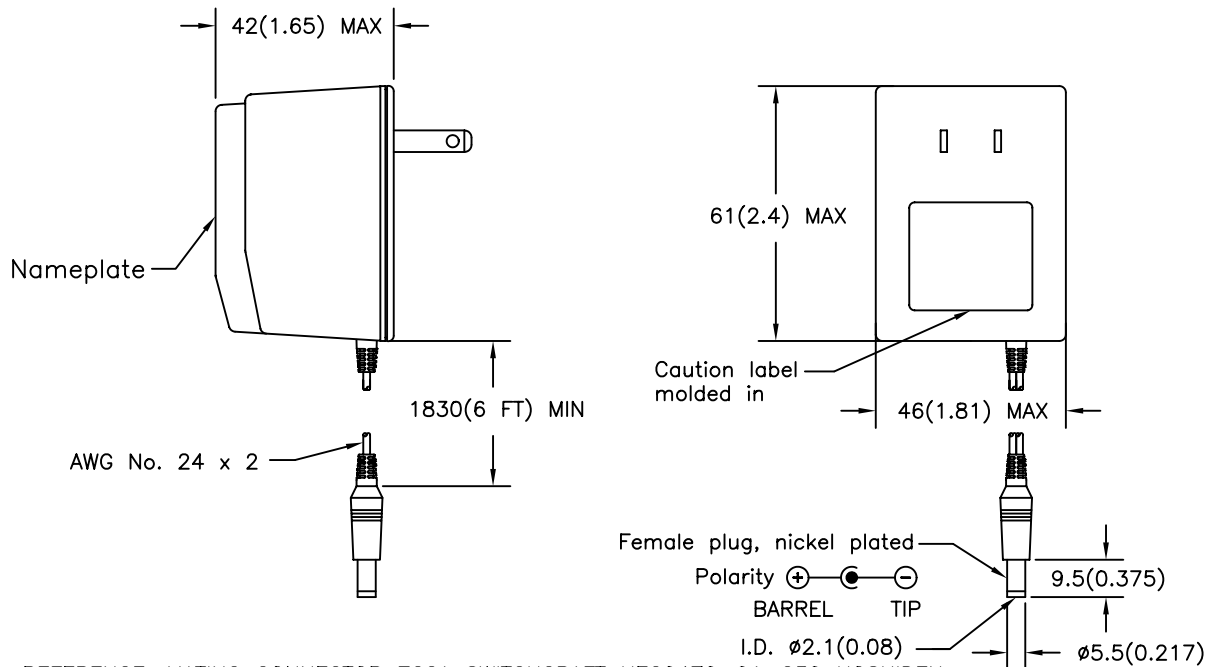
UL File No. E82180
Transformer UL1411, recognition No. 3519
CSA File No. LR38236

D. Nameplate: Information is as follows:
Metallic letters on a black background



5. Mechanical Specifications

All dimensions shown are nominal unless otherwise specified



PREPARED BY:

K. Brennan

ENGINEER:

D. Suzuki

QUALITY CONTROL:

D. Kelley

APPROVED:

D. Kelley

REFERENCE: MATING CONNECTOR 722A SWITCHCRAFT HEC0470-01-230 HOSHIDEN

DRAWING CONTROL NO.	REV	MODEL DESCRIPTION	MODEL SPECIFICATION
P-A7-00058	C	UL/CSA DC 7.5V 300mA/9V 150mA POWER SUPPLY	318A2138
ACAD\PS\A7000581.DWG			
CONTENTS OF THIS DRAWING ARE SUBJECT TO CHANGE WITHOUT PRIOR NOTICE		TAMURA CORPORATION OF AMERICA 43352 BUSINESS PARK DRIVE, TEMECULA, CA. 92590-6624 (909) 699-1270 FAX 9096769482	DIM: mm(In) SCL: NONE SH: 1 OF 1
PROPRIETARY NOTICE: THIS DRAWING PRINT OR DOCUMENT AND SUBJECT MATTER DISCLOSED HEREIN ARE PROPRIETARY ITEMS TO WHICH TAMURA RETAINS THE EXCLUSIVE RIGHT OF DISSEMINATION, REPRODUCTION, MANUFACTURE AND SALE. THIS DRAWING, PRINT OR DOCUMENT IS SUBMITTED IN CONFIDENCE FOR CONSIDERATION BY THE RECIPIENT ALONE UNLESS PERMISSION FOR FURTHER DISCLOSURE IS EXPRESSLY GRANTED IN WRITING.			