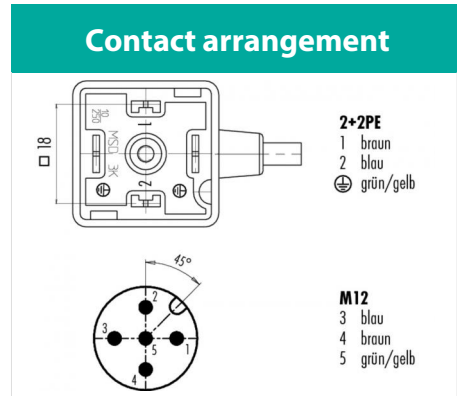
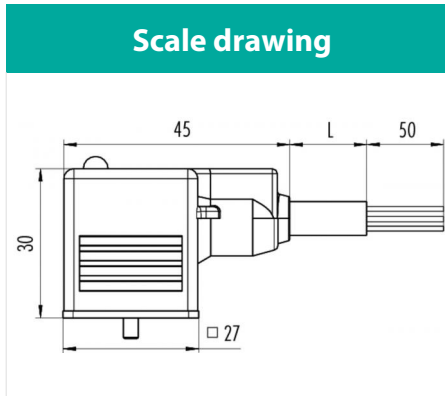


Product description	Size A solenoid socket, Contacts: 3+PE, not shielded, moulded on cable, IP67, PUR black
Area	Size A series 210
Order number	31 5235 300 000



Technical data

General values

Notice	Please note that, due to the change from the old to the new order number, there may be deviations in the technical specifications. For questions about product details, please use the 'Contact Customer Service' form on the right.
Connector design	solenoid socket
Connector locking system	central bolt
Termination	moulded on cable
Wire gauge (mm)	0.75 mm ²
Wire gauge (AWG)	18
Upper limit temperature	85 °C
Lower limit temperature	- 25 °C
Customs tariff number	85444290

Cable data

Cable length	3 m
Sheath material	PUR
Single-lead structure	4x0,75 mm ² mm
Cable diameter	6.0 mm

Electrical values

Rated current (40 °C)	10 A
Rated voltage	230 V
Rated impulse voltage	4000 V
Pollution degree	3
Overvoltage category	III
Insulating material group	I
Insulation resistance	≥ 10 ¹⁰ Ω
EMC compliance	not shielded
Degree of protection	IP67
Mechanical operation	> 50 Mating cycles

Material

Contact material	CuSn (bronze)
Contact plating	Sn (tin)
Contact body material	PA
Housing material	PBT

Product description	Size A solenoid socket, Contacts: 3+PE, not shielded, moulded on cable, IP67, PUR black
Area	Size A series 210
Order number	31 5235 300 000

Security notices

The connector must not be connected or separated under load. Non-observance and incorrect use can result in personal injury.

The connectors are designed for use in plant, control system and electrical equipment. The end user is responsible for checking whether the connectors are suitable for use in other applications.

Connectors used in electrical circuits containing hazardous life parts must only be assembled and used by or under the supervision of persons with the requisite electrotechnical training, taking the applicable regulations and standards into account.