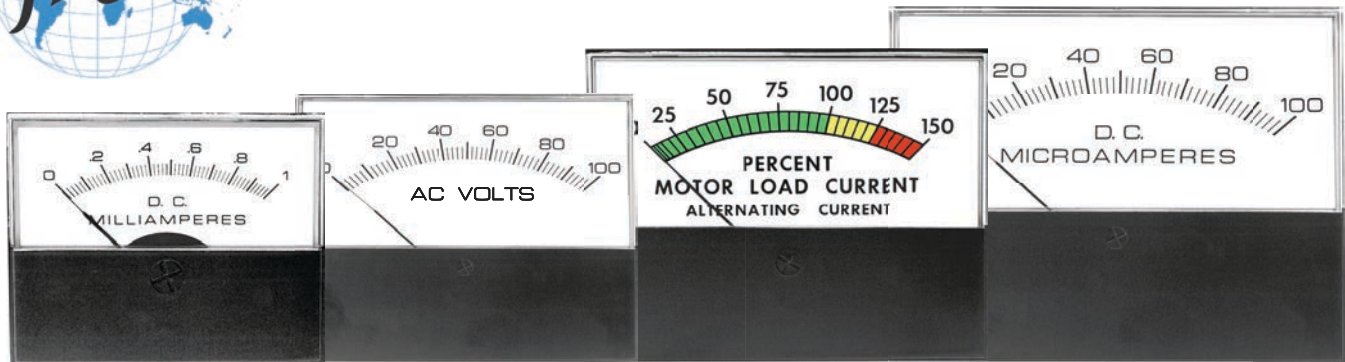




3100 Series

Panel/Window/Bezel Mount Meters



1-1/2"
3115 ■ D.C. Moving Coil
3116R ■ A.C. Rectifier

2-1/2"
3125 ■ D.C. Moving Coil
3126 ■ A.C. Repulsion

3-1/2"
3135 ■ D.C. Moving Coil
3136 ■ A.C. Repulsion

4-1/2"
3145 ■ D.C. Moving Coil
3146 ■ A.C. Repulsion

FEATURES

■ The 3100 Hoyt panel meter series consists of a popular industrial styled, high impact plastic case that is available for surface, window, or bezel mounting applications in four sizes: 1-1/2", 2-1/2", 3-1/2", and 4-1/2".

■ This series of meters is equal in mounting and specifications to similar styled meters of other manufacturers.

HOW TO ORDER

To order Hoyt 3100 series panel meters, choose correct model, and size, mounting option (Surface=HS, Window=HW, Bezel=HB), add range and scale.

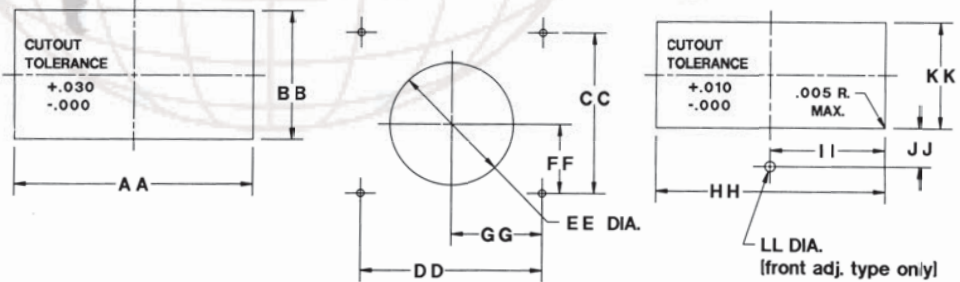
Example: 3-1/2" Surface mount, DC shunt rated 0-100 Ammeter
P/N 3135-S-50MVDC-100ADC

To add UL option, change model to 3135-UL

SPECIFICATIONS

- Accuracy: ±2% full scale value.
- Resistance: ±15%
- Dials: 100 or 90 degree arc, black lettering on white background. Special dial colors and artwork are available as an option.
- Movement: Spring loaded pivot and jewel movement that assures maximum torque and readability.
- D.C. Ranges: Microammeters, Milliammeters, Ammeters, Millivoltmeters and Voltmeters.
- A.C. Ranges: Milliammeters, Ammeters, and Voltmeters.
- Mounting: Specify (HS) Surface mount, (HW) Window mount or (HB) Bezel mount.
- Standard Options: Optional colors available on lower front cover, mirror dials, acrylic case materials, suppressed zero ranges, VU meters.
- UL Recognized meters available, add - UL to model

DIMENSIONS



BEZEL PANEL CUTOUT

PANEL CUTOUT FOR BARREL

WINDOW MOUNT

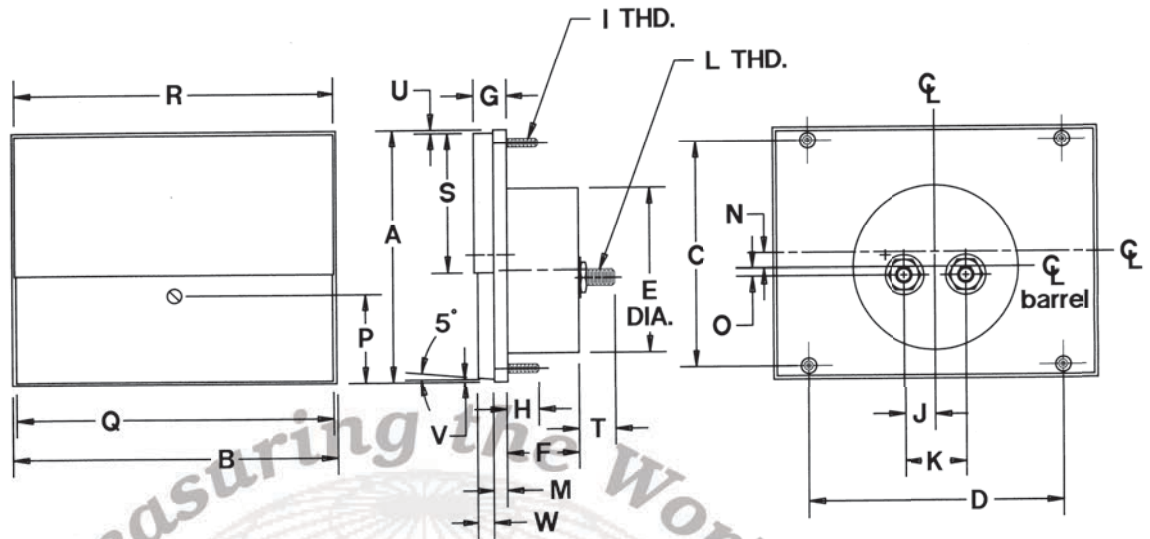
MODELS	AA	BB	CC	DD	EE	FF	GG	HH	II	JJ	KK	LL
3115-22	-	-	1.310	1.310	1.590	0.660	0.660	2.150	1.075	0.535	0.935	0.265
3125/26	3.000	1.600	1.880	1.880	2.180	0.940	0.940	2.900	1.450	0.630	1.270	0.265
3135/36	3.720	2.160	2.250	2.250	2.720	1.120	1.120	3.590	1.795	0.804	1.590	0.265
3145/46	5.120	2.840	3.560	4.000	2.720	1.540	2.000	5.010	2.505	0.856	2.340	0.228



3100 Series

Panel/Window/Bezel Mount Meters

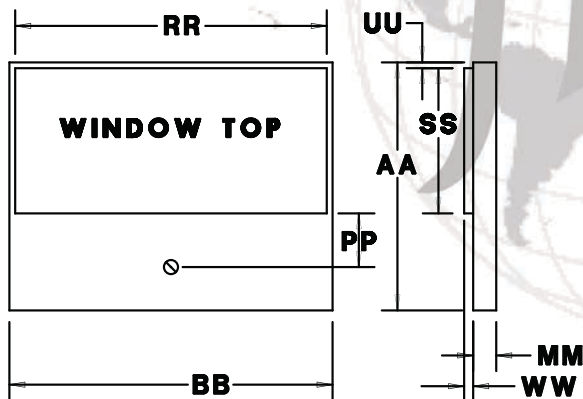
DIMENSIONS



SURFACE MOUNT

MODELS	A	B	C	D	E	F	G	H	I	J	K	L	M	N	O	P	Q	R	S	T	U	V	W
3115-22	1.78	2.24	1.31	1.31	1.50	1.22	0.34	0.50	4-48	0.48	0.97	10-32	0.14	0.03	-.22	0.66	2.14	2.16	0.88	0.50	0.04	0.04	0.16
3125/26	2.29	2.99	1.88	1.88	2.08	1.16	0.40	0.50	4-48	0.48	0.97	10-32	0.16	0.00	0.00	0.86	2.89	2.91	1.23	0.50	0.06	0.04	0.19
3135/36	2.89	3.70	2.25	2.25	2.60	1.16	0.42	0.50	4-48	0.48	0.97	10-32	0.18	0.00	0.12	0.96	3.59	3.62	1.55	0.50	0.06	0.04	0.19
3135/46	3.98	5.10	3.56	4.00	2.60	1.13	0.52	0.50	6-32	0.48	0.97	10-32	0.21	0.24	0.12	1.39	4.98	5.02	2.21	0.50	0.05	0.04	0.25

WINDOW (HW) & BEZEL (HB) SERIES



WINDOW MOUNT

MODELS	AA	BB	MM	PP	RR	SS	UU	WW
3115-22	1.78	2.24	.28	.54	2.14	.92	.05	.15
3125/26	2.28	3.01	.30	.64	2.89	1.26	.06	.15
3135/36	2.89	3.72	.32	.81	3.58	1.58	.07	.15
3145/46	4.06	5.19	.37	.86	5.00	2.33	.09	.15

Base is the same as the surface top. See surface dimensional chart for omitted base dimensions.

Window Mount: The window mount design is available in sizes (1-1/2", 2-1/2", 3-1/2", and 4-1/2"). This series is industrially styled and universally accepted with maximum dial visibility. The outside edges of the "window" that project through the panel are clear which yields maximum readability. All specifications and options are identical to those on previous page.

Bezel Mount: The Hoyt bezels are available in sizes 2-1/2", 3-1/2", and 4-1/2" and offer a custom look to the panel surface. The bezel is molded from high strength plastic material which protects the meter from damage. This design features the zero adjuster within the window envelope therefore negating the requirement for drilling an additional hole. The optional bezel is available for use with the surface case styles and includes necessary mounting hardware.

When Ordering:

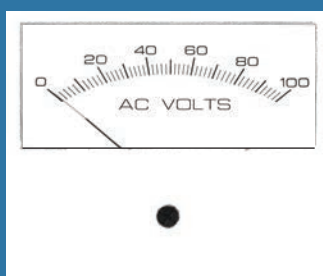
C-8041 (overall size 1 - 3/4" x 1 - 5/32") for 3125/26

C-8370 (overall size 2 - 5/16" x 3 - 27/32") for 3135/36

G-8397 (overall size 3" x 5 - 1/4") for 3145/46

WINDOW MOUNT

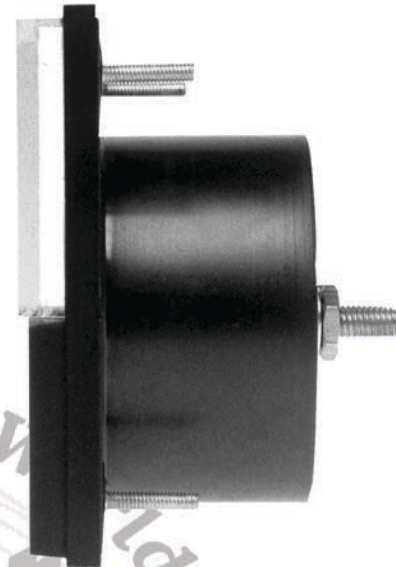
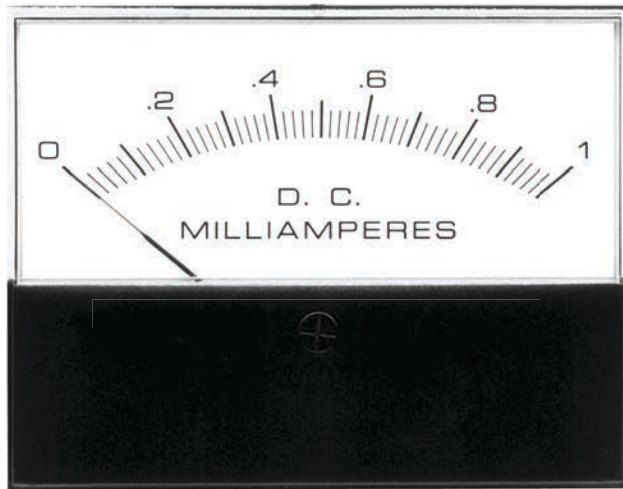
Bezels





3135/36-2 Series

Panel/Window/Bezel Mount Meters



3135/2 ■ D.C. Moving Coil
3136/2 ■ A.C. Repulsion

FEATURES

- Small barrel for tight space application.
- Viscosity damping to control overshoot & oscillation.
- Optional custom dials with your name, scale, logo, etc.
- AC iron vane repulsion movement.
- Special ranges and resistances to match your equipment design.
- 4 way mounting including 2, 3, 4 holes.
- Pivot & jewel movement.
- High impact plastic case.
- Color fast metal dials.
- DC moving coil movement.
- 1 year limited warranty.
- 1% & 2% accuracy available.

SPECIFICATIONS

- #10 Terminals Standard, 1/4-28 Available.
- 90 Degree Pointer Deflection AC.
- 100 Degree Pointer Deflection DC.

METER TYPES AVAILABLE

- DC: Microammeters
 Milliammeters
 Ammeters
 Millivoltmeters
 Voltmeters
- AC: Rectifier Type Voltmeters
 Ammeters
 Voltmeters
 Frequency Meters



HOW TO ORDER

1. To order the Hoyt 3135/36-2 series meter, use the appropriate ranges from the price sheet.
AC Meters require part number 3136-2-____ and DC Meters require part number 3135-2-____
2. Decide which mounting option is required and add to - ____ *
3. Add range and scale from price list as examples below.

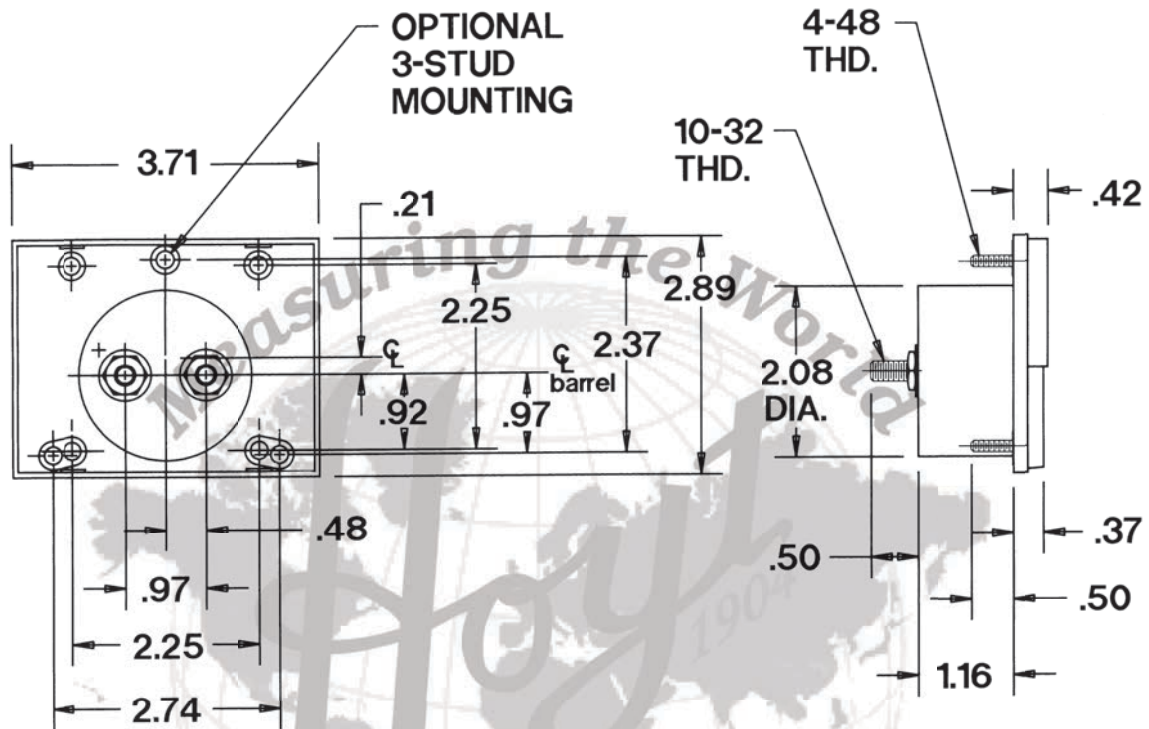
Our policy is one of continuous development and we reserve the right to supply products different in design and appearance from those described. As development is continuous, we reserve the right to alter specifications without notice.



3135/36-2 Series

el/Window/Bezel Mount Meters

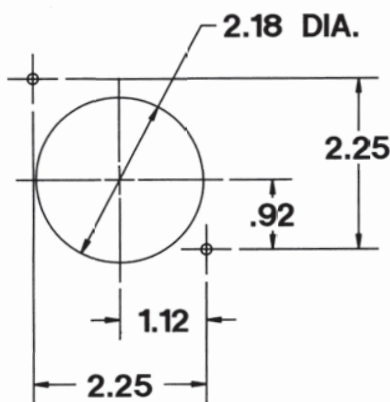
DIMENSIONS



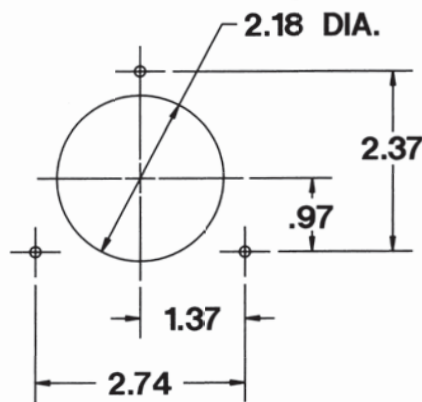
MOUNTING IN YOUR PRESENT PANEL OPEN-

STUD MOUNTING OPTIONS *

-2 (2 STUD)



-3 (3 STUD)



-4 (4 STUD)

(STANDARD)

