

Data Sheet

RP085xxVBLC

Page 1/5

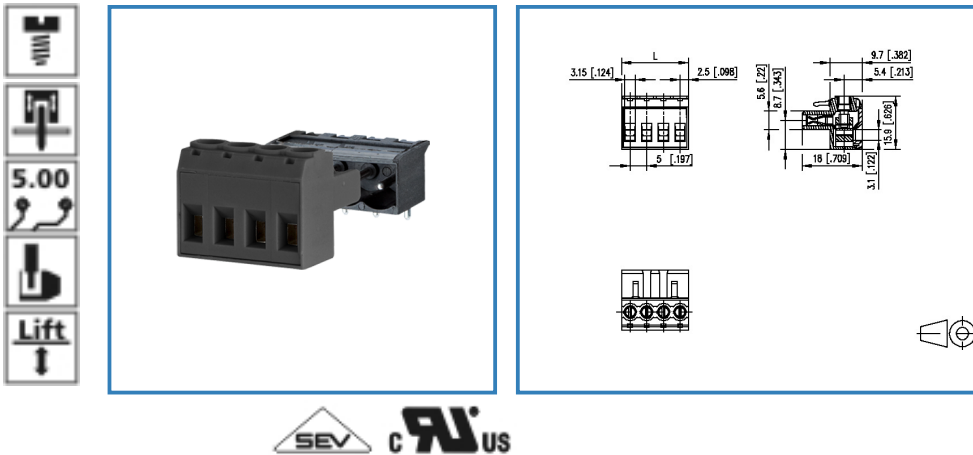
P/N

313481xx

xx=number of poles

2017/01/24

Illustration



see enlarged drawing at the end of the document

Product specification

- screw type terminal block, pluggable
- centerline 5.00 mm, direction of connection vertical 0°
- lift system, fittable without loss of poles
- color black



Data Sheet

RP085xxVBLC

Technical Data

General Data


Tightening torque SEV	0.6 Nm		
Tightening torque UL	5.3 lb-in		
min. number of poles	2		
max. number of poles	12		
Insulating material class	CTI 600		
clearance/creepage dist.	5.7 mm		
protection category	IP 20		
Overvoltage category	III	III	II
Pollution degree	3	2	2
Rated voltage	400 V	1000 V	1000 V
Rated test voltage	6.0 kV	6.0 kV	6 kV

Connection data

Rated wiring solid wire	0.2 - 2.5 mm ² / AWG 24 - 12		
Rated wiring stranded wire	0.2 - 2.5 mm ² / AWG 24 - 12		

Approvals

 V / A / AWG	300 / 17 / 24 - 12		
--	--------------------	--	--

	12 A / 250 V / 4 kV / 3 / IEC 61984 / 0.08 - 2.5 mm ²		
--	--	--	--

Material

insulating material	PA66		
flammability class	V0		
contact material	CuSn		
Glow-Wire Flammability GWFI	960		
Glow-Wire Flammability GWIT	775		
contact surface	Sn		
terminal body material	CuZn		
terminal body surface	Ni		
screw surface	Zn Cr(VI)-frei/free		
screw thread	M3		

Climatic properties

upper limit temperature	105 °C		
lower limit temperature	-40 °C		



Data Sheet

RP085xxVBLC

Page 3/5

P/N

313481xx

xx=number of poles

2017/01/24

General

Tolerance	ISO 2768 -mH
-----------	--------------



Data Sheet

RP085xxVBLC

Page 4/5

P/N

313481xx

xx=number of poles

2017/01/24

Matching Part

P/N	Product name
310201	PT045xxVBBN Typ 020
310301	PT045xxHBBN Typ 030
310311	PT045xxHBVC Typ 031
310321 (on request)	PT045xxHBVN Typ 032
313371	PR075xxHBEL Typ 337
313381	PR075xxHBER Typ 338

Accessories

P/N	Product name
700025-01-5 (on request)	F_Kodier_blp
700025-01-9	700025
700025-02-2 (on request)	F_Kodier_swg
700213-01-9 (on request)	F_Kodier_weiß



Data Sheet

RP085xxVBLC

Page 5/5

P/N

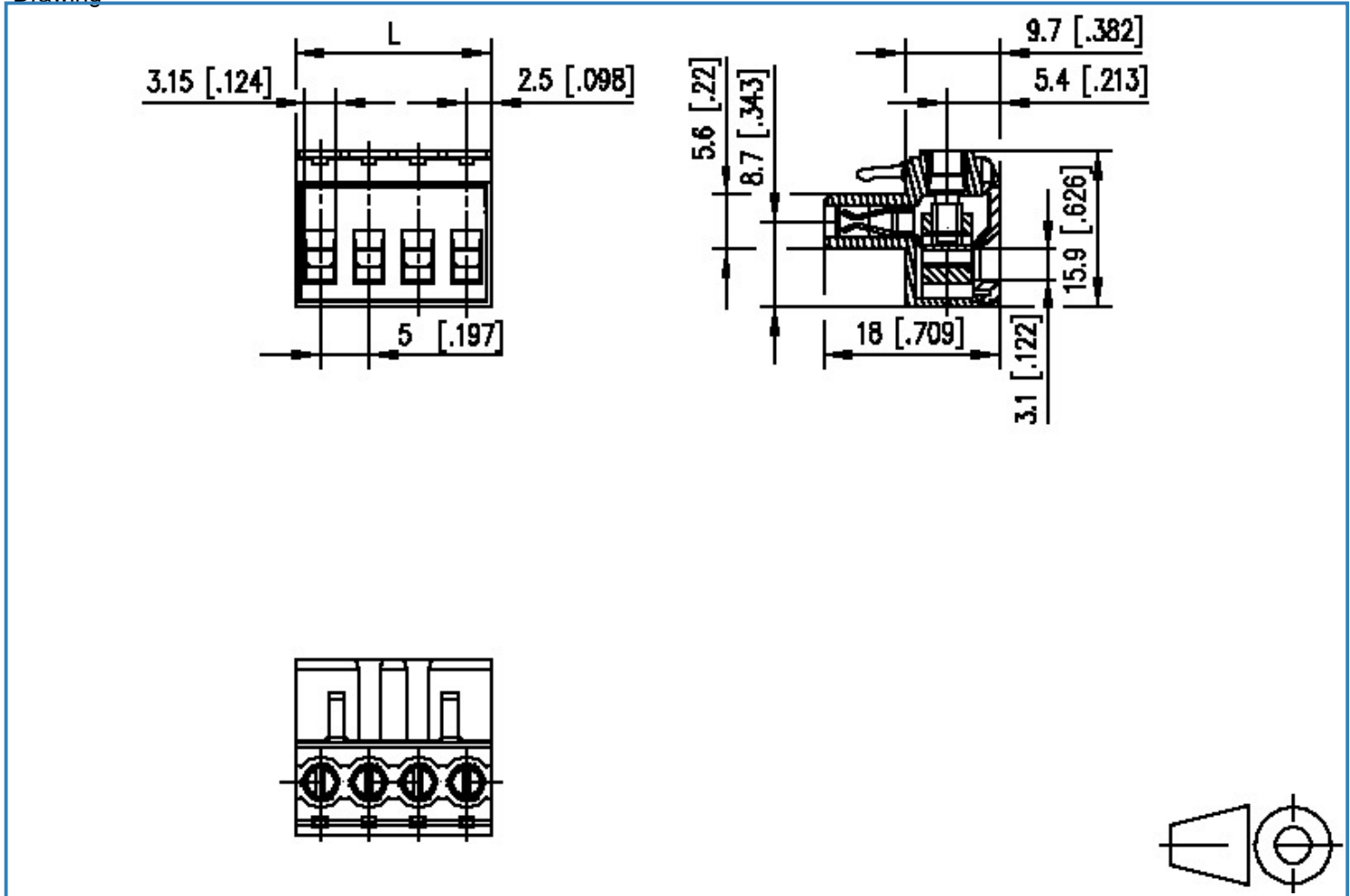
313481xx

xx=number of poles

2017/01/24

Illustration

Drawing



$L = (\text{pole size} - 1) \times \text{centerline} + 5 [0.197]$

