

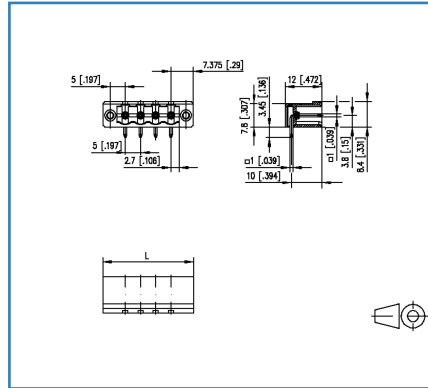
Data sheet

PT115xxHBBF Typ 336

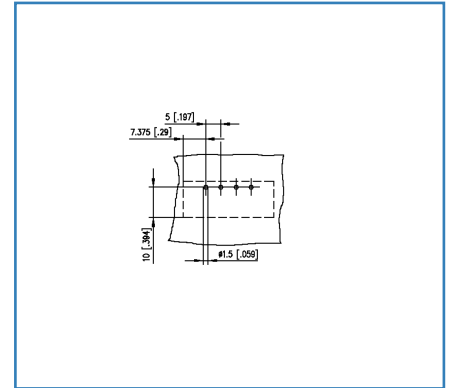
Illustrations



Dimensional drawing



Drill pattern



See enlarged drawings at the end of document



Product specification

- pin header, solderable
- centerline 5.00 mm, direction of connection 90°
- closed ends
- color black, mounting flange
- codeable

Technical Data

General Data			
Solder pin length	3.45 mm		
min. number of poles	2		
max. number of poles	24		
Insulating material class	CTI 600		
clearance/creepage dist.	4 mm		
protection category	IP00		
Overvoltage category	III	III	II
Pollution degree	3	2	2
Rated voltage	320 V	800 V	800 V
Rated test voltage	4 kV	4 kV	4 kV

Approvals

 V / A	300 / 15
approval UL - File No.	E121004
 1.5 mm ²	320 V / 4 kV / 13.5 A / 1.0 x 1.0 mm

Material

insulating material	PA66
flammability class	V0
contact pin material	CuFe
contact pin surface	Ni + Ag
Glow-Wire Flammability GWFI	960 °C acc. to IEC 60695-2-12
Glow-Wire Flammability GWIT	775 °C acc. to IEC 60695-2-13

Climatic Data

upper limit temperature	105 °C
lower limit temperature	-40 °C

General

Tolerance	ISO 2768 -mH
Solderability	Acc. to JEDEC JESD22-B102E 245°C/5s

Accessories

P/N	Designation
700024-01-9	700024
700523-0157	Geh_Kappe_swg_Block

© 2019 METZ CONNECT - Technische Änderungen vorbehalten! Subject to modifications! Sous réserve de modifications techniques!



Data sheet PT115xxHBBF Typ 336

Page 4/6

P/N
313361xx

xx=number of poles

2019/10/28

Version: R

Counterpart of

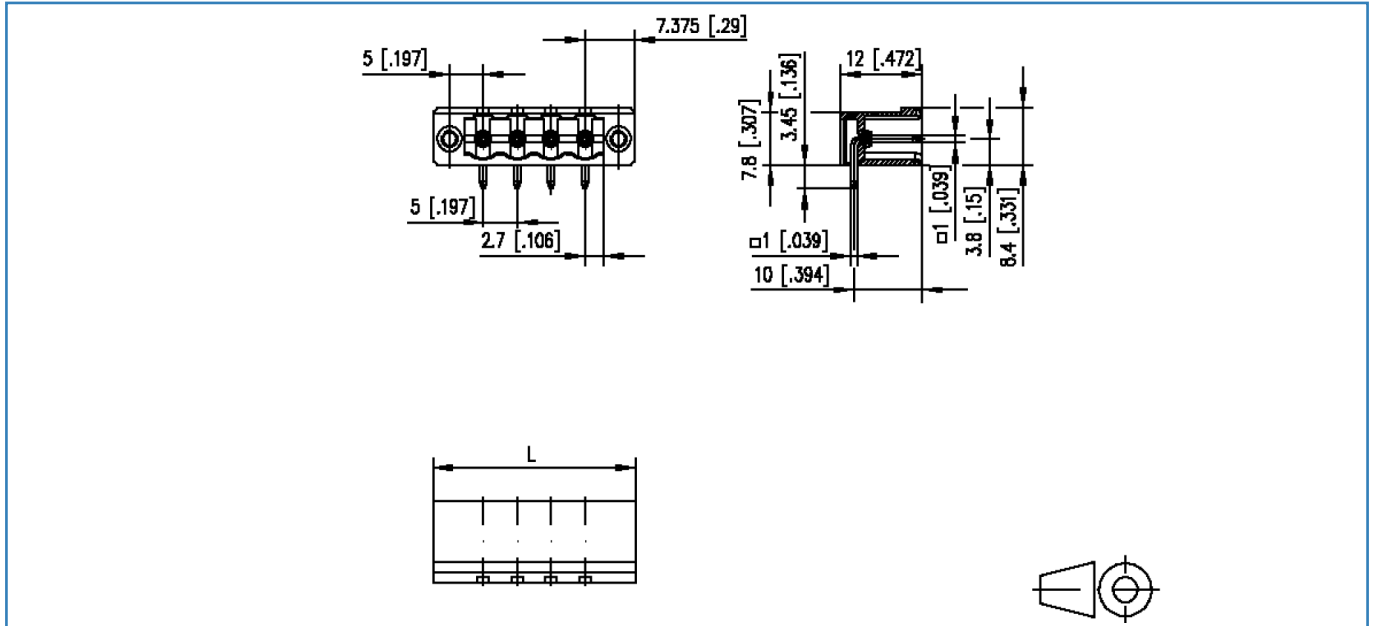
P/N	Designation
313511	RP015xxVBLF Typ 351
ASP125	SP125xxVBNN ASP125
SP065XXVBNF	SP065xxVBNF
SP065XXVBPF	SP065xxVBPF

© 2019 METZ CONNECT - Technische Änderungen vorbehalten! Subject to modifications! Sous réserve de modifications techniques!



Illustrations

Dimensional drawing



$L = (\text{pole size} - 1) \times \text{centerline} + 14.75 \text{ mm [0.581]}$

Illustrations

Drill pattern

