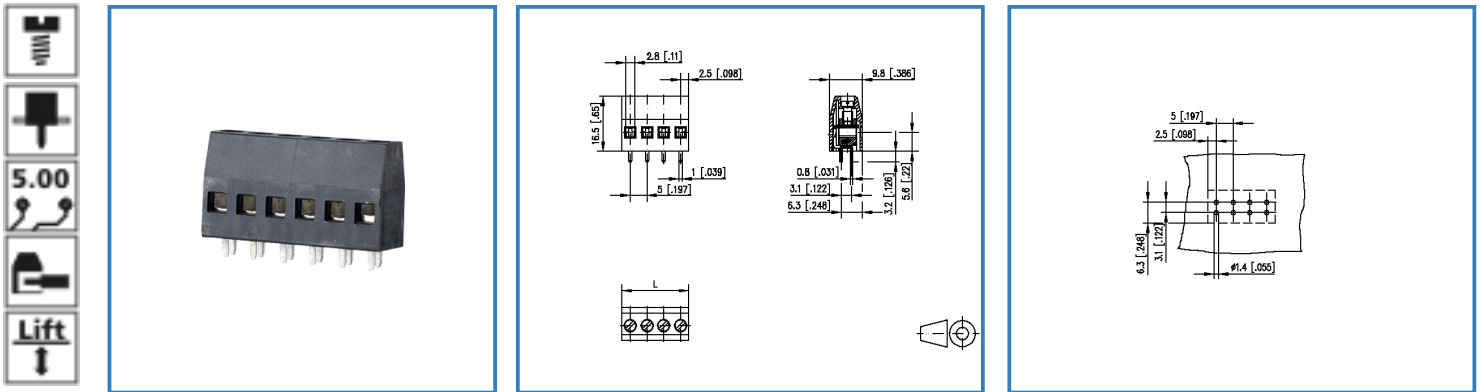


Data Sheet

RT145xxMBLC

Illustration



see enlarged drawing at the end of the document

Product specification

- screw type terminal block, solderable, double solder pins
- centerline 5.00 mm, direction of connection 90°
- lift system, fittable without loss of poles
- color black
- multiple pins



Data Sheet

RT145xxMBLC

Technical Data



General Data

Tightening torque SEV	0.5 Nm		
Tightening torque UL	6 lb-in		
Solder pin length	3.2 mm		
min. number of poles	2		
max. number of poles	24		
Insulating material class	CTI 600		
clearance/creepage dist.	4 mm		
protection category	IP 20		
Overvoltage category	III	III	II
Pollution degree	3	2	2
Rated voltage	160.0 V	400.0 V	400.0 V
Rated test voltage	2.5 kV	2.5 kV	2.5 kV

Connection data

Rated wiring solid wire	0.08 - 2.5 mm ² / AWG 28 - 12
Rated wiring stranded wire	0.08 - 2.5 mm ² / AWG 28 - 12

Approvals

extended wiring UL	2 AWG 16-18, or 1 AWG 16 stranded with 1 AWG 18 solid, or 1 AWG 16 stranded with 1 AWG 18 stranded
 V / A / AWG	300 / 15 / 28 - 12
 2.5 mm ²	250 V / 16 A / T60

Material

insulating material	PA66
flammability class	V0
contact material	CuZn
Glow-Wire Flammability GWFI	960 °C acc. to IEC 60695-2-12
Glow-Wire Flammability GWIT	775 °C acc. to IEC 60695-2-13
contact surface	Ni + Sn
terminal body material	CuZn



Data Sheet

RT145xxMBLC

Page 3/5

P/N

312691xx

xx=number of poles

2018/02/02

terminal body surface	Ni
screw surface	Zn Cr(VI)-frei/free
screw thread	M3

Climatic properties

upper limit temperature	105 °C
lower limit temperature	-40 °C

General

solderability	Acc. to JEDEC JESD22-B102E 245°C/5s
Tolerance	ISO 2768 -mH

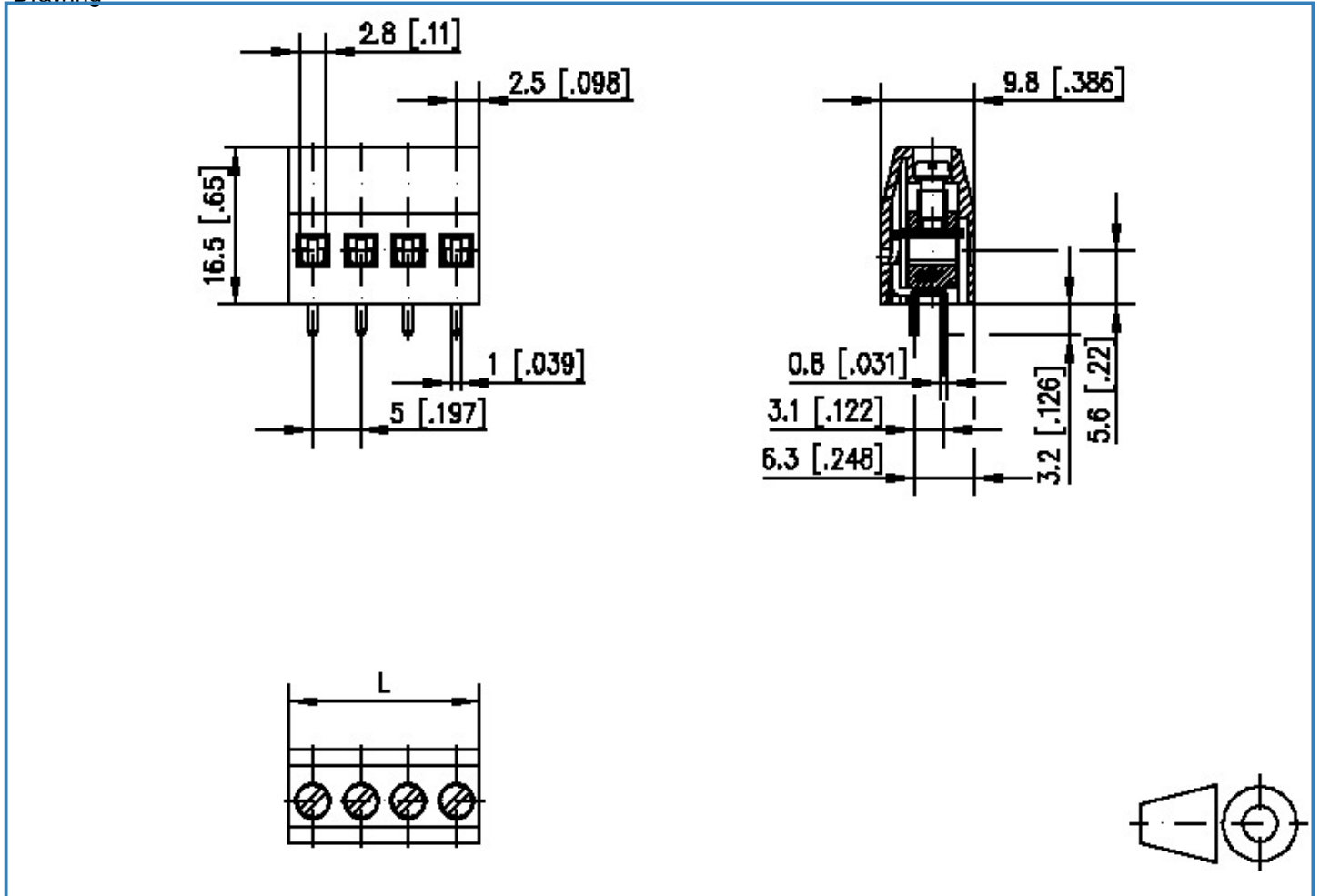


Data Sheet

RT145xxMBLC

Illustration

Drawing



$$L = (\text{pole size} - 1) \times \text{centerline} + 5 [0.197]$$

Data Sheet

RT145xxMBLC

Page 5/5

P/N

312691xx

xx=number of poles

2018/02/02

PCB Layout

