

MICRO SWITCH

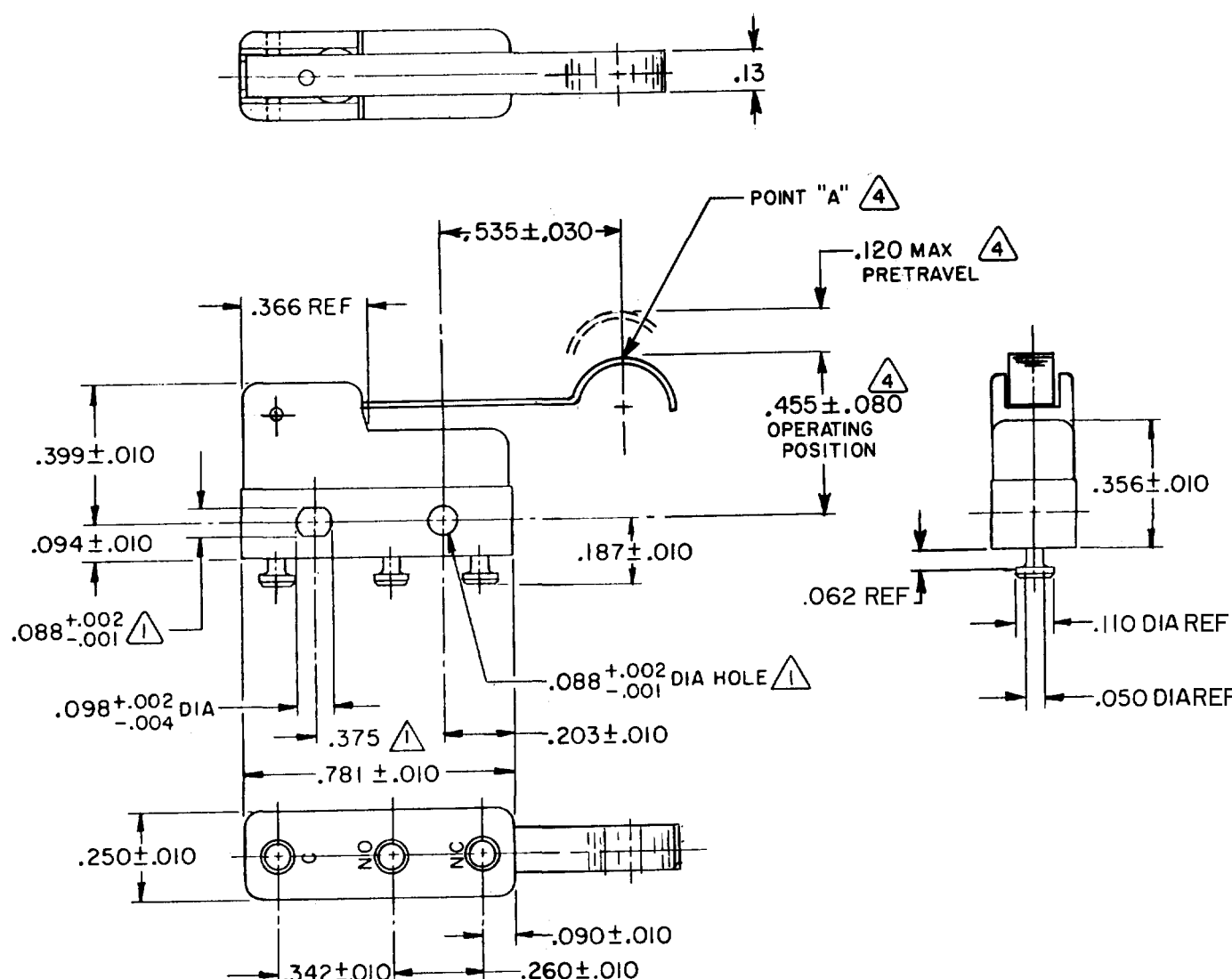
FREERPORT ILLINOIS, U.S.A
A DIVISION OF HONEYWELL
FED. MFG. CODE 91929

SWITCH-BASIC

CATALOG LISTING

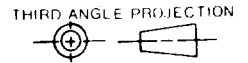
31ISM778-T

DRAWING NUMBER: 31ISM778-T
 PAGE 1 OF 1
 RELEASE NO. PR-7201
 REPLACES: PR-7201
 ISSUE: 4
 REVISIONS:
 A CO-39298 S L B 16 JUN 78
 B RE-INS PR 7201 S L B 16 JUN 78
 C CO-95172 J J A 22 JUNE 99
 CHECK HMK 21 JUNE 78
 CHECK C E B 22 JUNE 78
 CHECK HMK 22 JUNE 99
 FORMTEK
 FO-52848-A
 DRAWN: S L B 16 JUN 78



NOTE -
 1- MOUNTING HOLES WILL ACCEPT PINS OR SCREWS OF .087 MAX DIA ON .375 ± .002 CENTERS
 2- SWITCH WILL WITHSTAND TEMPERATURE OF 250°F
 3- TERMINALS ARE PLATED FOR SOLDERING
 4- CHARACTERISTICS TAKEN AT POINT "A"
 5- MATING CONTACT SURFACES ARE 24K SOLID GOLD OVERLAY

THIS DRAWING COVERS A PROPRIETARY ITEM AND IS THE PROPERTY OF MICRO SWITCH, A DIVISION OF HONEYWELL. THIS DRAWING IS NOT TO BE COPIED OR USED WITHOUT THE APPROVAL OF MICRO SWITCH.



CHARACTERISTICS	4
OPERATING FORCE	-- 12 GRAM MAX
RELEASE FORCE	----- 2 GRAM MIN
DIFFERENTIAL TRAVEL	---- .015 MAX
OVERTRAVEL	----- .026 MIN

ELECTRICAL DATA	
CONTACT ARRANGEMENT S P D T	
30 VOLTS DC RATING	
INDUCTIVE	----- SEA LEVEL -- 1/2 AMP 50,000 FT -- 1/2 AMP
RESISTIVE	----- SEA LEVEL -- 1 AMP 50,000 FT -- 1 AMP
MAXIMUM INRUSH	----- 2 AMP
UNDERWRITERS' LAB. INC. LISTED RATING L22- 1A-125 VAC	

SCALE 2 TO 1			
DO NOT SCALE PRINT			
TOLERANCES			
APPLY TO DESIGN UNITS. CONVERSIONS ARE ONLY FOR REFERENCE. UNLESS NOTED, TOLERANCES ARE ±			
DIM.	TOL.	DIM.	TOL.
mm	mm/in	in	mm/in
NO PLACES	X	1/04	X X
ONE PLACE	X, X	0.4/016	X X
TWO PLACES	X, XX	0.15/006	X XX
THREE PLACES	X, XXX	0.13/005	X XXX
ANGLES			
SI METRIC		US CUSTOMARY	
DESIGN UNITS		<input type="checkbox"/> SI METRIC <input checked="" type="checkbox"/> US CUSTOMARY	
WEIGHT .006 LB MAX			

