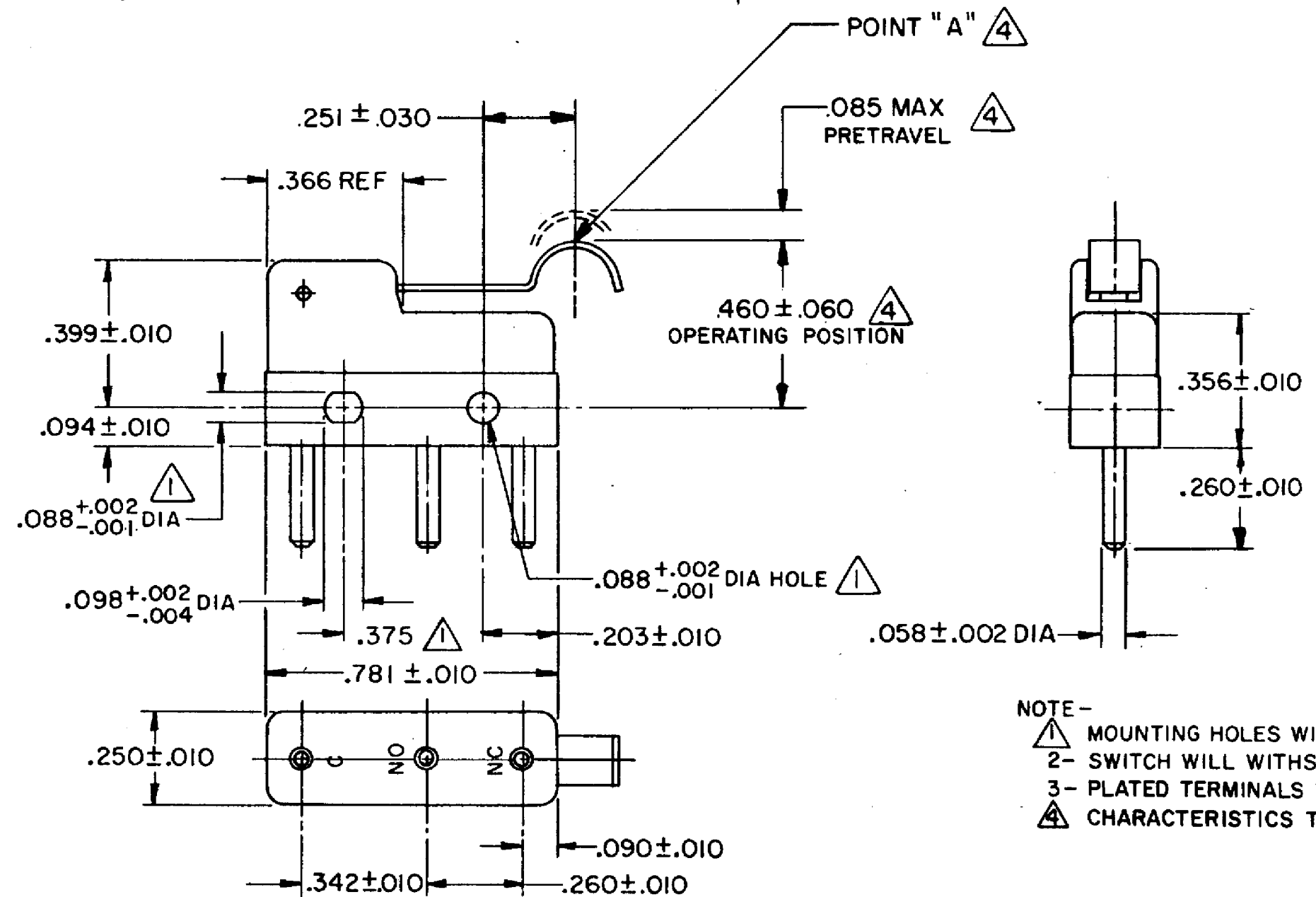
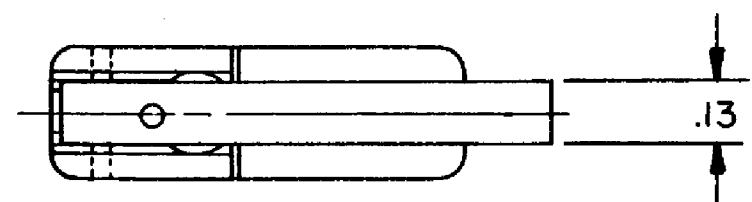


HONEYWELL PART NUMBER
311SM4-H2
PRODUCT CODE TZA1245

REV	DOCUMENT	CHANGED BY	CHECK
4	0038113	PRS 12JUN08	BLR



NOTE -
 1 MOUNTING HOLES WILL ACCEPT PINS OR SCREWS OF .087 MAX DIA ON .375 ± .002 CENTERS
 2 SWITCH WILL WITHSTAND TEMPERATURE OF 250°F
 3 PLATED TERMINALS WILL ACCEPT AIRCRAFT MARINE PRODUCTS CO NO 42429 CONNECTOR
 4 CHARACTERISTICS TAKEN AT POINT "A"

RELEASE NO.	PR - 1562
REPLACES	-

CHARACTERISTICS	OPERATING FORCE	RELEASE FORCE	DIFFERENTIAL TRAVEL	OVERTRAVEL
4	40 GRAM MAX	7 GRAM MIN	.019 MAX	.018 MIN

ELECTRICAL DATA		
CONTACT ARRANGEMENT SPDT		
30 VOLTS DC RATING		
	SEA LEVEL	50,000 FT
INDUCTIVE	3 AMP	2.5 AMP
RESISTIVE	5 AMP	5 AMP
MAXIMUM INRUSH 24 AMP		
APPROVALS	KEMA, CE	5A, 250V ~ T85 1E4
	UL, CSA	5A, 250 VAC ~

DESIGN UNITS: INCH
TOLERANCES UNLESS NOTED:
NO PLACE X ±
ONE PLACE .X ±
TWO PLACE .XX ±
THREE PLACE .XXX ±
FOUR PLACE .XXXX ±
ANGLES ±
THIRD ANGLE PROJECTION

DRAWN	VK	05 NOV 07
CHECK	RJ	05 NOV 07
THIS DRAWING COVERS A PROPRIETARY ITEM AND IS THE PROPERTY OF HONEYWELL. THIS DRAWING IS NOT TO BE COPIED OR USED WITHOUT THE PERMISSION OF HONEYWELL.		
INTERPRET PER ANSI Y14.5M-1982 OTHER HONEYWELL ENGINEERING STANDARDS MAY APPLY		
RASTER		

Honeywell			
TITLE SWITCH - BASIC			
SIZE	TYPE	DRAWING NAME	REV
B	I	311SM4-H2	4
SCALE	-	WEIGHT .006 LB MAX	SHEET 1 OF 1